

FAIRWAY RAILING™

BY  **Envision™**
OUTDOOR LIVING PRODUCTS



Fairway 1 ½" Vinyl Secondary Handrail meets ADA Standards in accordance with DOJ 28 CFR, Part 36, Section 4. Building code requires secondary handrail installation between 34" and 38" above the surface. Handrails must be supported every 6' on center by a bracket. Prior to construction, check with your local regulatory agency for special code requirements in your area. It is recommended that each of the secondary handrail components be dry fit before final installation to ensure a proper fit. Begin installation with an inside corner piece when possible.

1-½ VINYL ADA SECONDARY HANDRAILING INSTALLATION QUICK GUIDE

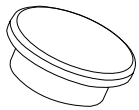
-
- Single Family, Multi-family or Commercial Applications
 - Meets the Requirements of IRC Section R311, IBC Section 1011; 1012; 1014
 - Handicap Compliant Per ADA Standard I/AW DOJ 28 CFR Part 36.104

TOOLS REQUIRED:

- Drill
- Mitre Saw
- Level
- Tape Measure
- Safety Glasses
- Quick Clamp
- Gloves

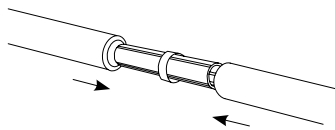
1-1/2 VINYL ADA SECONDARY HANDRAILING INSTALLATION

END CAP



STEP 1 - At each open end of handrail and end cap should be installed. Apply adhesive and insert into the end of handrail.

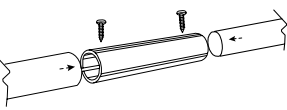
BEAUTY RING



STEP 1 - Beauty rings can be used to conceal cut rails at each straight joint of handrail.

STEP 2 - Slide Beauty Ring over the aluminum connector piece and slide straight handrail pieces together.

ALUMINUM CONNECTOR

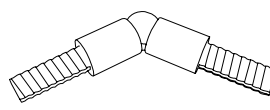


STEP 1 - Cut straight handrail to desired length.

STEP 2 - Install cut handrail onto both sides of aluminum connector.

STEP 3 - Pre-drill aluminum connector and install self-tapping screws provided.

EXTERNAL ANGEL SWIVEL



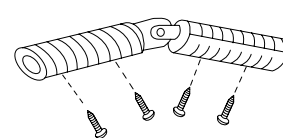
STEP 1 - Adjust swivel bracket to the desired angle and tighten set screw.

STEP 2 - Cut straight handrail to length.

STEP 3 - Insert cut straight handrail into both ends of swivel bracket.

STEP 4 - Pre-drill on both ends of bracket and install self tapping screws provided.

0° - 90° UNIVERSAL ELBOW



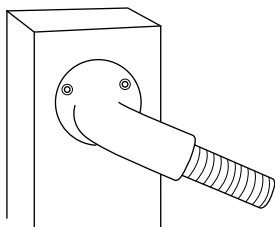
STEP 1 - Measure the angle of the joint and cut the straight handrail accordingly.

STEP 2 - Adjust universal elbow to the same angle as the cut rails and tighten bolt to set.

STEP 3 - Install cut handrail onto both sides of universal elbow.

STEP 4 - Pre-drill Universal Elbow and straight handrail and install self-tapping screws provided.

90° DEGREE QUICK RETURN



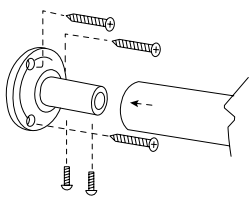
STEP 1 - Cut straight rail to length and insert quick return flange into rail.

STEP 2 - Determine proper bracket height and orientation for angle of rail.

STEP 3 - Install 3 screws through bracket into mounting post.

STEP 4 - Pre-drill quick return and straight rail and install self tapping screws provided.

LEVEL WALL BRACKET

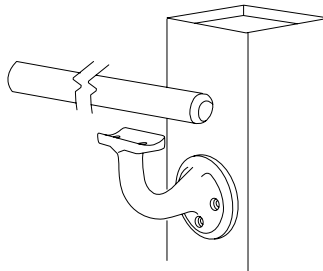


STEP 1 - Slide Level Wall Bracket onto straight handrail.

STEP 2 - Install 3 mounting screws into desired surface to attach bracket with screws provided.

STEP 3 - Pre-drill straight handrail and Level Wall Bracket and install self tapping screws provided.

3" MOUNTING BRACKET



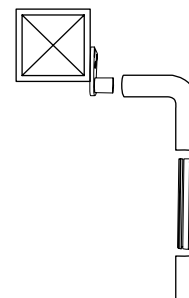
STEP 1 - Determine proper bracket height and orientation for angle of rail.

STEP 2 - Install 3 screws through bracket into mounting post.

STEP 3 - Clamp handrail to bracket to secure in place.

STEP 4 - Pre-drill handrail and install self tapping screws provided through the bottom of the 3" mounting bracket flange.

GATE RETURN



STEP 1 - Handrail component designed for use where a gate has been installed on a post and secondary handrail needs to be installed on the same side of the post. See illustration above.

STEP 2 - Install 3 screws through bracket into mounting post.

STEP 3 - Slide 90° Inside/Outside Corner Elbow onto gate return.

STEP 4 - Insert aluminum connector into 90° Inside/Outside Corner Elbow and straight handrail.

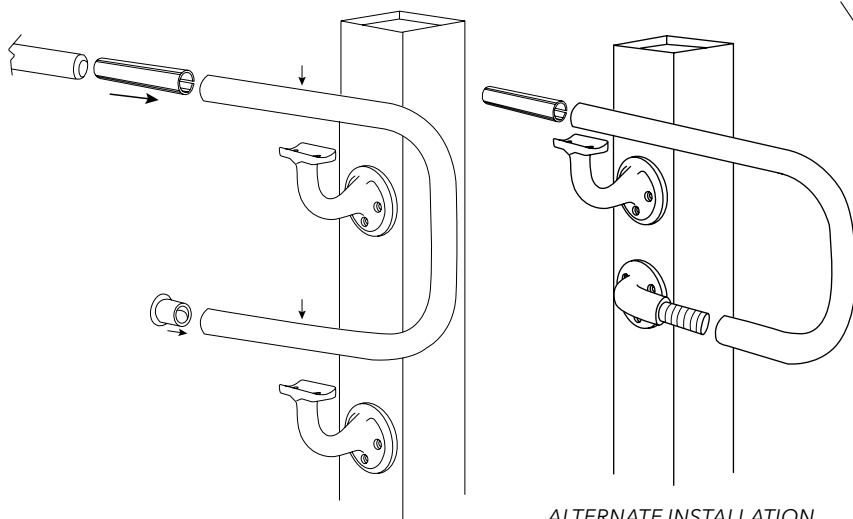
STEP 5 - Pre-drill 90° Inside/Outside Corner Elbow at gate return and straight handrail and install self tapping screws provided.



Fairway Architectural Railing Solutions will not be held liable for incorrect or unsafe installations by the installer. It is the installer's responsibility to secure proper building permits, review local codes and safety needs and meet or exceed them. The instructions provided by Fairway are a guide and may not account for every special circumstance. The installer must identify and execute the installation approach that is appropriate for every application.

1-½ VINYL ADA SECONDARY HANDRAILING INSTALLATION

P-LOOP RETURN

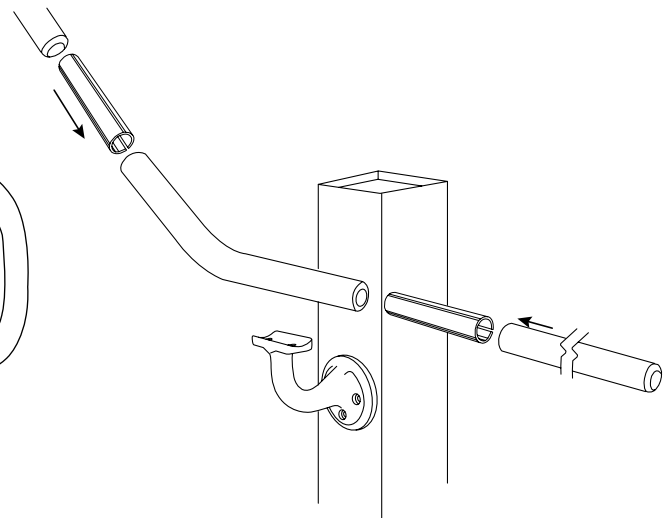


ALTERNATE INSTALLATION

- STEP 1** - Cut P-Loop to the appropriate length.
- STEP 2** - Install aluminum connector into straight handrail and P-Loop (See Aluminum Connector)
- STEP 3** - Install 3" Mounting Bracket to post (See 3" Mounting Bracket)
- STEP 4** - Pre-drill P-Loop and aluminum connector and install self tapping screws provided.
- STEP 5** - Install end cap into P-Loop (See End Cap)

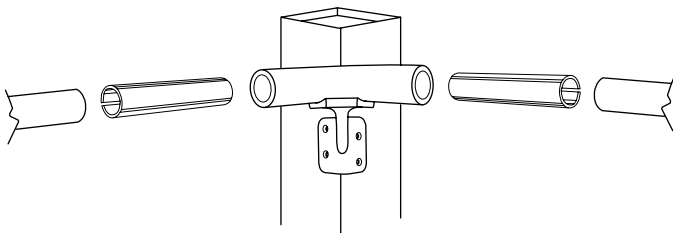
Alternate installation: A second 3" mounting bracket or quick return bracket can be installed at the bottom of the P-Loop when required.

5°, 32°, 38° ANGLE RAIL



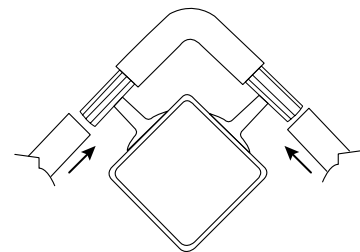
- STEP 1** - Install 3" Mounting Bracket (see 3" Mounting Bracket).
- STEP 2** - Install aluminum connector into each end of angle rail.
- STEP 3** - Install handrail onto both aluminum connectors.
- STEP 4** - Pre-drill radius and aluminum connector and install self-tapping screws provided.
- STEP 5** - Pre-drill aluminum connector and straight handrail and install self-tapping screws provided.

INSIDE CORNER



- STEP 1** - Install 4 screws provided through the Inside Corner Bracket into the corner of the post.
- STEP 2** - Place 90° Inside/Outside Corner Elbow on top of Inside Corner bracket flange.
- STEP 3** - Pre-drill 90° Inside/Outside Corner Elbow and install self tapping screws provided through bottom of Inside Corner flange.
- STEP 4** - Install aluminum connectors and straight handrail to both ends of Inside Corner.

OUTSIDE CORNER



- STEP 1** - Attach 3" Mounting Brackets to adjacent corners of post (See 3" Mounting Bracket).
- STEP 2** - Insert aluminum connectors into both ends of 90° Inside/Outside Corner Elbow.
- STEP 3** - Install straight handrail onto aluminum connectors.
- STEP 4** - Pre-drill rail through 3" mounting bracket flanges and install self tapping screws provided.
- STEP 5** - Pre-drill 90° Inside/Outside Corner Elbow and aluminum connectors and install self tapping screws provided.
- STEP 6** - Pre-drill aluminum connectors and straight handrail and install self tapping screws provided.



Fairway Architectural Railing Solutions will not be held liable for incorrect or unsafe installations by the installer. It is the installer's responsibility to secure proper building permits, review local codes and safety needs and meet or exceed them. The instructions provided by Fairway are a guide and may not account for every special circumstance. The installer must identify and execute the installation approach that is appropriate for every application.

