

Structural Vinyl Porch Post Installation Guide

FAIRWAY RAILING™

BY **Envision**
OUTDOOR LIVING PRODUCTS

! It is the responsibility of the installer to meet or exceed all code and safety requirements, and to obtain all required building permits. These instructions are only a guide and may not address every circumstance. The deck and railing installer should determine and implement appropriate installation techniques for each situation.

FAIRWAY will not be held liable for improper or unsafe installations.

Step 1 Check Local Code Requirements

- Before you begin, check with your local building code official or structural engineer to determine the quantity and spacing needed and the vertical load requirements for your overhead structure and climate zone.

Step 2 Porch Preparation

- Install suitable temporary supports to the overhead structure to carry the load during installation of the Vinyl Porch Post.
- Using a level and string line, level the porch roof beam. (See Fig 1a)

Step 3 Determine Center Lines & Height Measurement (See Fig 1b)

- With the roof beam level, determine center-lines where post(s) will mount to the roof beam.
- Use a plumb bob to transfer the center-line mark from the roof beam onto the porch deck.
- Measure the distance from the bottom of roof beam to the finished porch surface.

Step 4 Cutting Porch Post

With the height measurement obtained in **Step 3**, deduct 3/8". Cut the post to this calculated length. You may cut the porch post vinyl and aluminum at the same time using a fine tooth blade such as a hacksaw. **Caution:** We recommend you do not lay the post on a rough surface when cutting or measuring. We suggest the use of the cardboard it was received in to protect the surface from damage.

NOTE: Plan ahead prior to cutting the porch post to length. If you are using porch railing, verify your railing height and ensure that once the post is cut to length, you have sufficient length of the square portion of the shaped porch post to mount the top railing bracket. The shaped porch posts are designed to support a 42" railing installation out of the box. If you are installing a railing that is 36" in height, you would typically cut up to 4" from the bottom of the porch post with the balance being cut from the top.

Step 5 Mounting Plates & Porch Post Installation

- With the post cut to length, insert mounting plates in ends of porch post, slide the porch post into place and align with center-line marks from **Step 3**. **Do not** apply the load of the overhead structure at this time. (See Fig 1c)
- With the porch post set in place, rotate the porch post 45° to expose the mounting holes in the corners of the mounting plates. Screw the mounting plates to porch deck and roof beam.

NOTE: Four (4) screws per mounting plate should be used.

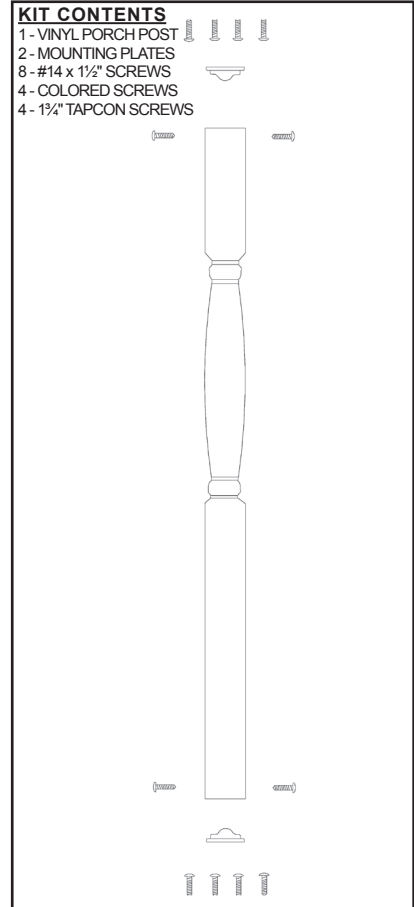
For masonry surface applications, use supplied Tapcon screws. (See Fig 2)

- With mounting plates secured to the beam and deck, rotate the porch post 45° so the porch post covers the mounting plates. Transfer the load from the temporary supports onto the newly positioned and installed porch post. Measure and mark 3/4" from both mounting plates on two opposite center-faces of the post (right and left side). Pre-drill four (4) 11/64" holes and install the (matching) colored head screws through the porch posts and both the top and bottom mounting plates. (See Fig 3)

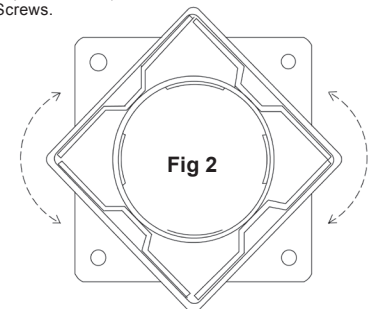
NOTE: Installation of the screws will ensure the porch posts do not rotate on the mounting plates and provides standard resistance to wind up-lift. To ensure maximum uplift resistance, we recommend our Fairway Storm Kit Plate System. Always check your local building code requirements.

Step 6 Cleanup

Your job is complete. You may clean up any dirt or marks with a hose and soft cloth. For any stubborn stains, use Fairway Cleaner and #0000 steel wool.



MOUNTING TO WOOD: Install four (4) ea. per bracket (top and bottom) #14 x 1½" Stainless Steel Flat Head Screws.



MOUNTING TO CONCRETE: Install four (4) ea. #10 x 1¼" Tapcon Screws into bottom bracket. Use four (4) wood mount screws (above) for top mounting plate.

Four (4) ea. #10 x 2¼" Stainless Steel "Matching Color" Pan Head Screws. Two each for top and bottom.

