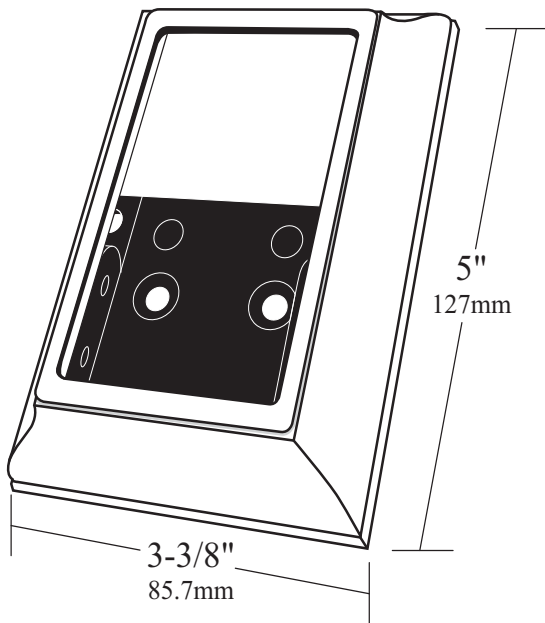
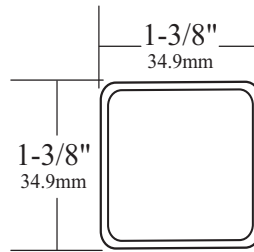


Standard Level Mounting Bracket

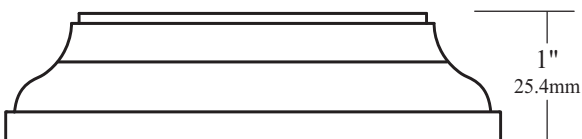
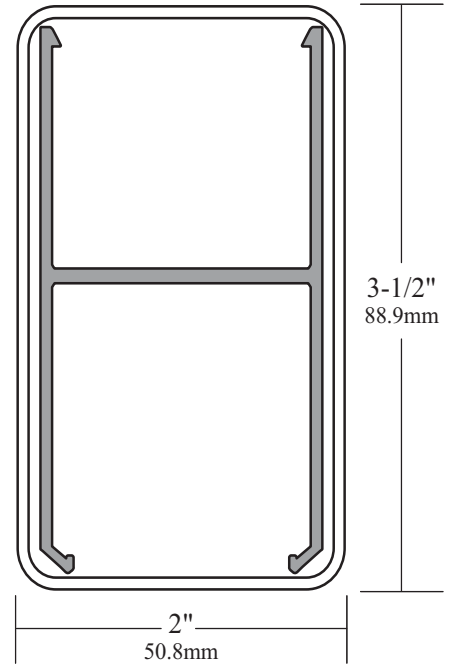


Standard Level Mounting Bracket
(Top View)

1-3/8" x 1-3/8"
Square Baluster



Standard 2" x 3-1/2" Rail
(Top & Bottom Rails)

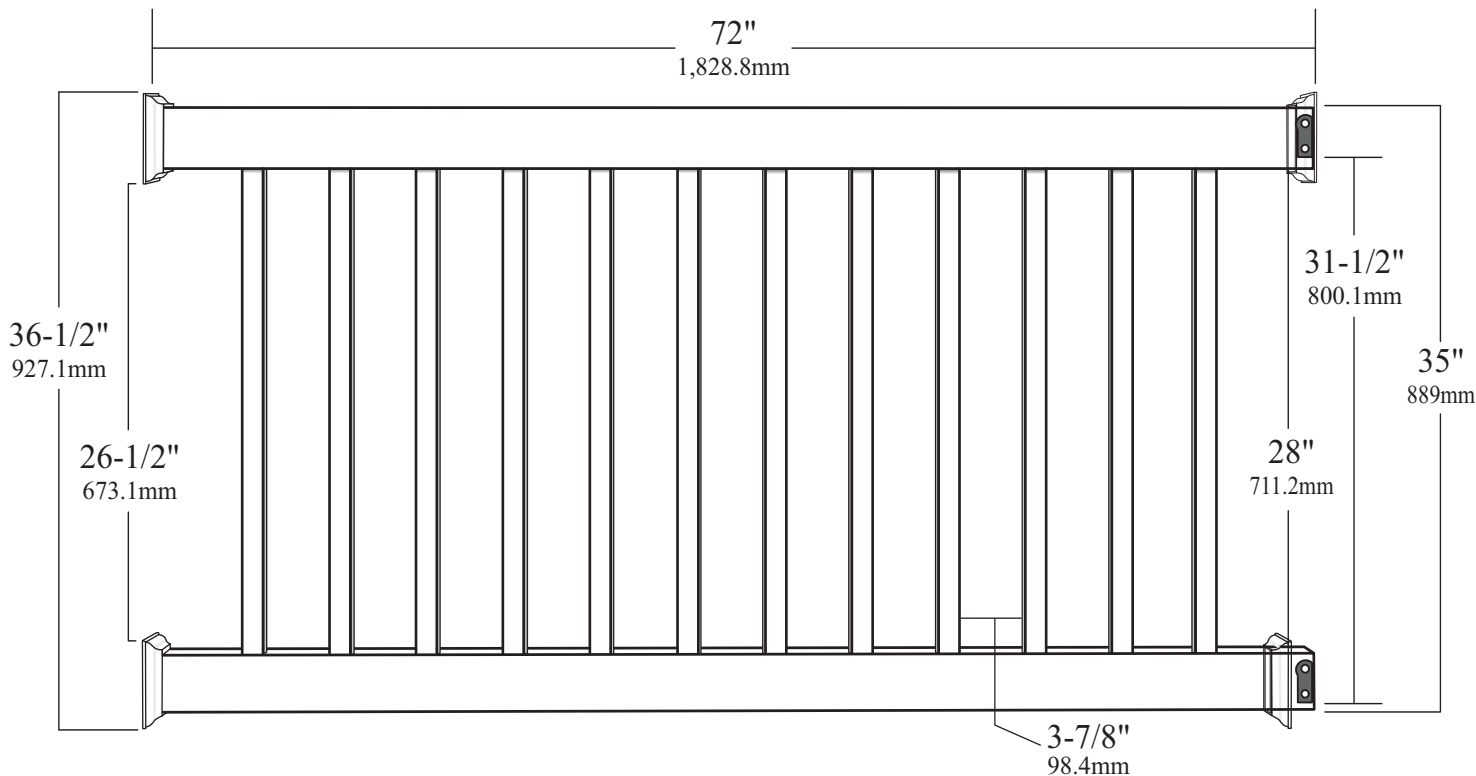


**FAIRWAY
RAILING™**

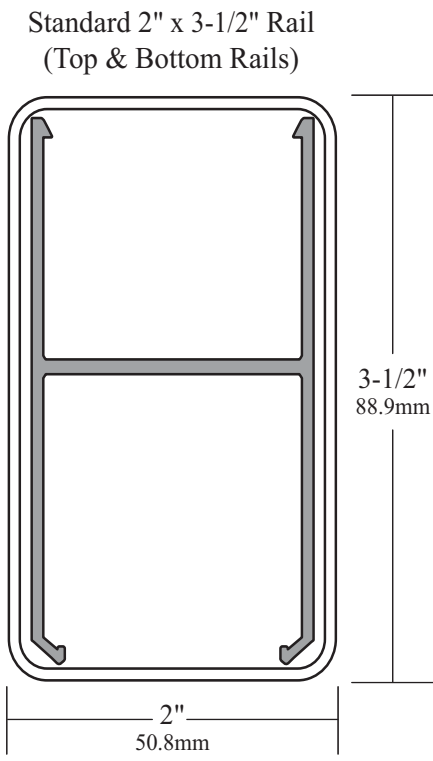
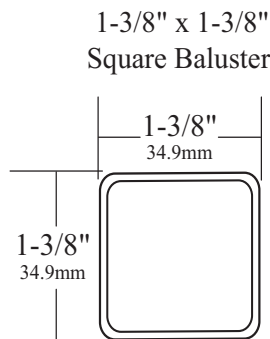
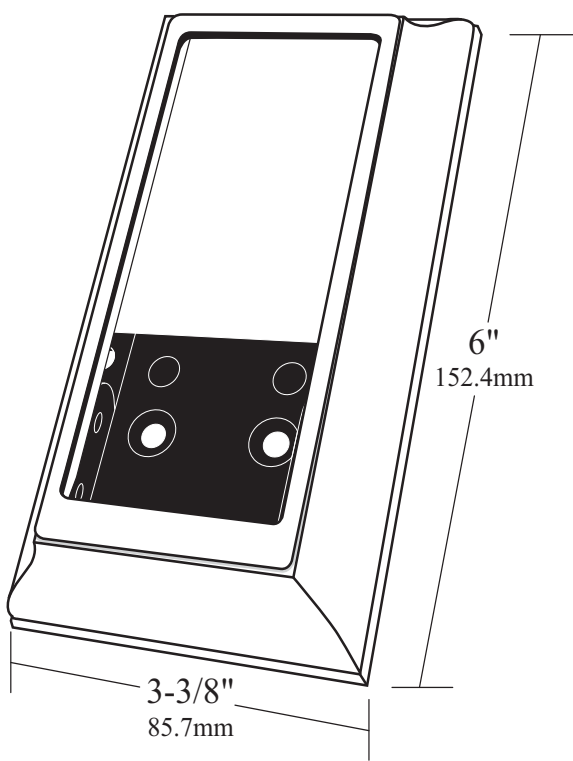
BY **Envision**
VINYL SYSTEMS

DOCUMENT TITLE:				6' Level Standard w/Square Balusters - 36" height			
This drawing is the property of Fairway Vinyl Systems. Any hard copy of this drawing may not be current. This document and or images contained within may not be reproduced in publication format without express written consent of Fairway Vinyl Systems. Drawings may not be to scale.				FAIRWAY VINYL SYSTEMS P.O. Box 37 Mount Joy, Pa 17552 UOM REF# VR 401000 P1 SCALE SHEETS 1 of 1 DRAWN BY DATE EVS 7-11-08			

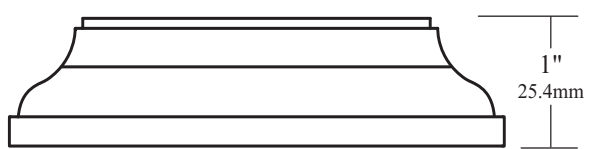
Dimensions and tolerances contained on drawings and figures are for reference only and may not encompass total allowable and approved dimensional variations.



Standard Stair Mounting Bracket



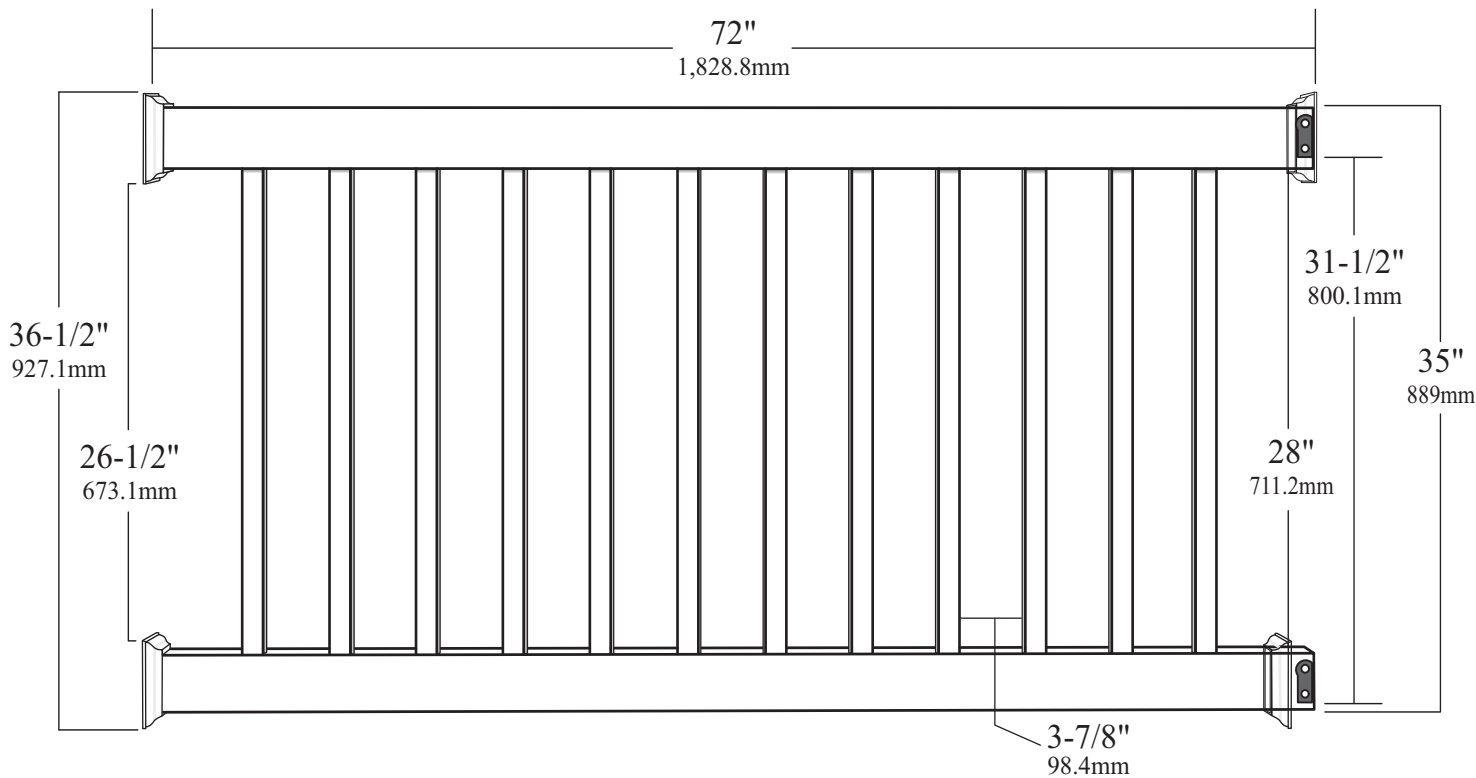
Standard Stair Mounting Bracket (Top View)



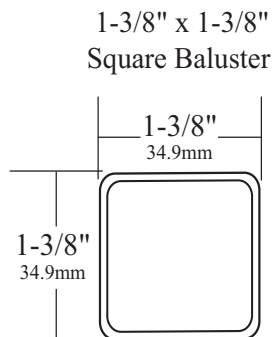
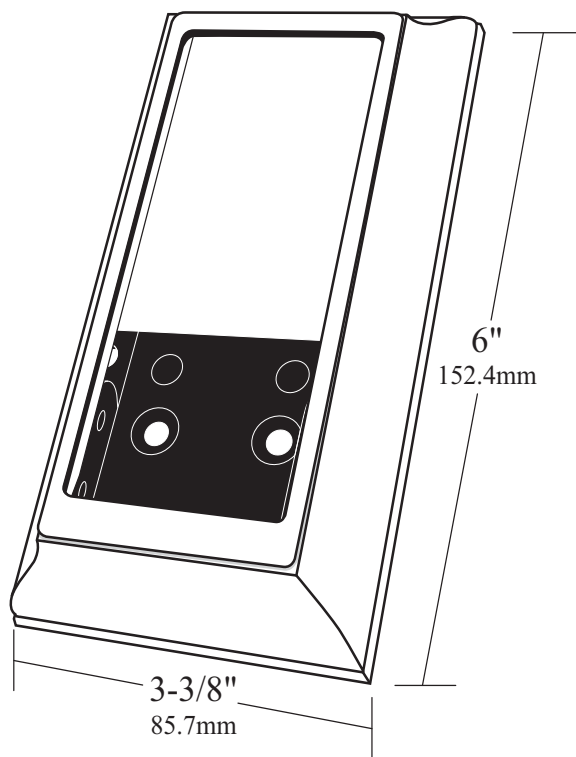
FAIRWAY RAILING™
BY Envision

DOCUMENT TITLE: 6' Stair Standard w/Square Balusters - 36" height (29°-35°)			
This drawing is the property of Fairway Vinyl Systems. Any hard copy of this drawing may not be current. This document and or images contained within may not be reproduced in publication format without express written consent of Fairway Vinyl Systems. Drawings may not be to scale.			
FAIRWAY VINYL SYSTEMS			
P.O. Box 37 Mount Joy, Pa 17552			
UOM inch/mm	REF# VR 401000A PI	DATE	REV
SCALE	SHEETS 1 of 1	DRAWN BY EVS	DATE 7-11-08

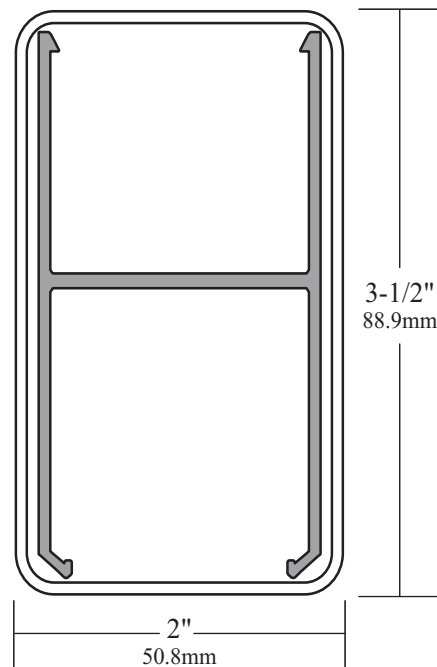
Dimensions and tolerances contained on drawings and figures are for reference only and may not encompass total allowable and approved dimensional variations.



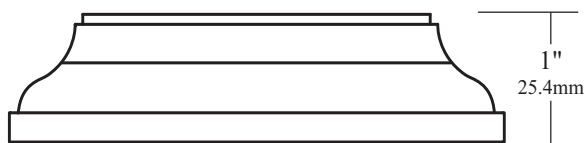
Standard Stair Mounting Bracket



Standard 2" x 3-1/2" Rail
(Top & Bottom Rails)



Standard Stair Mounting Bracket
(Top View)

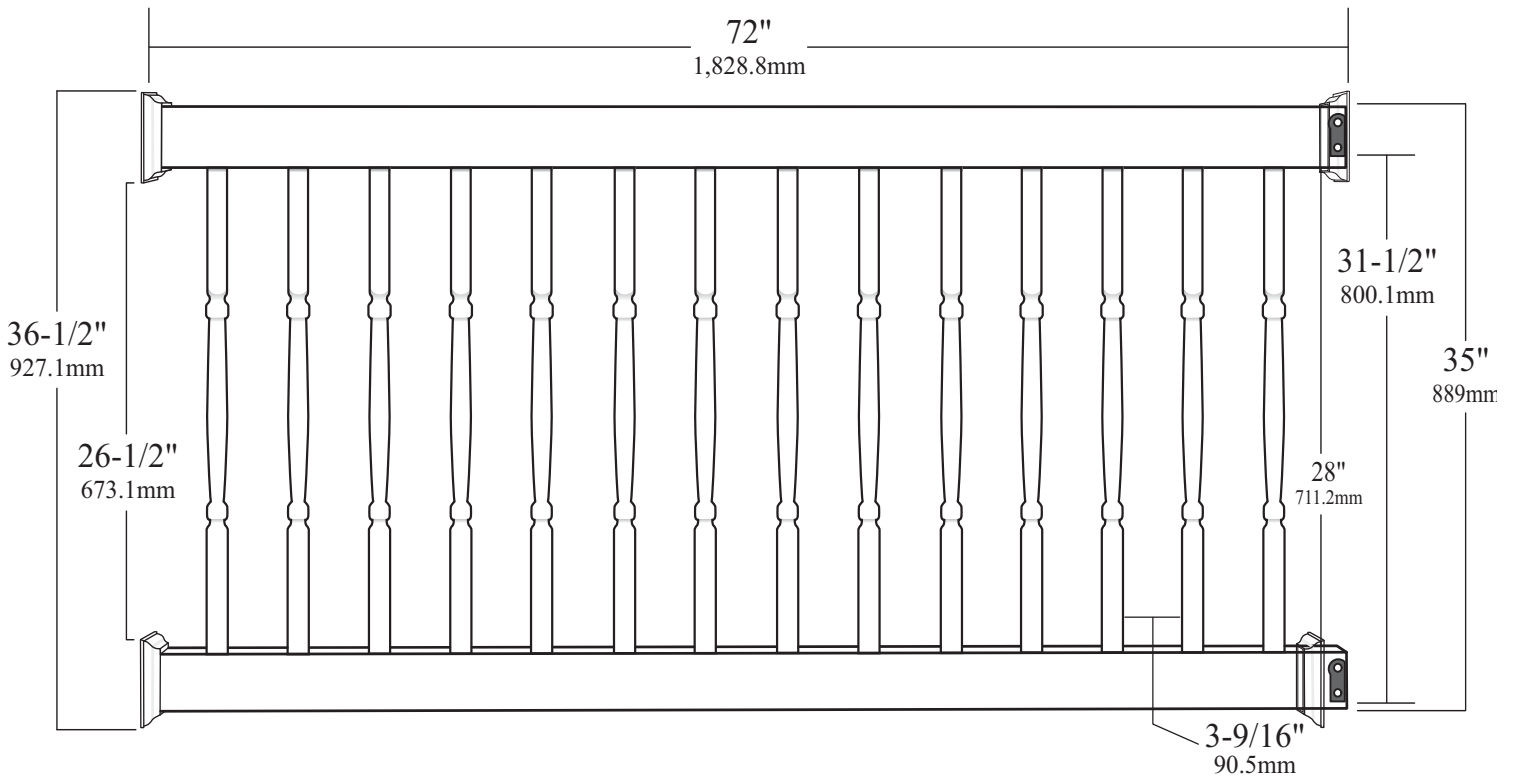


**FAIRWAY
RAILING™**

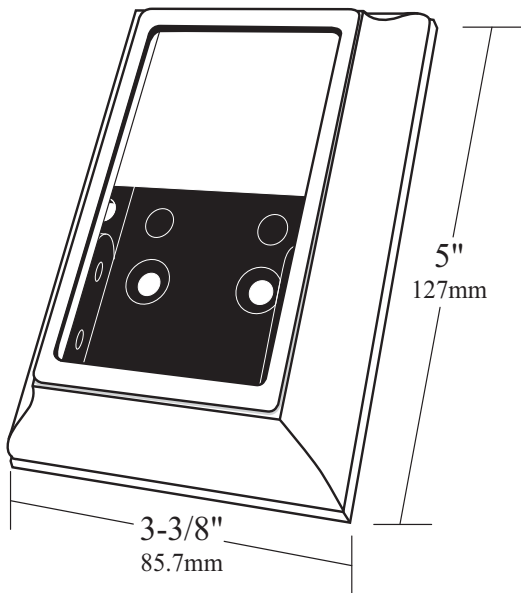
BY **Envision**
INTEGRATED SYSTEMS

DOCUMENT TITLE:				6' Stair Standard w/Square Balusters - 36" height (36°-41°)			
This drawing is the property of Fairway Vinyl Systems. Any hard copy of this drawing may not be current. This document and or images contained within may not be reproduced in publication format without express written consent of Fairway Vinyl Systems. Drawings may not be to scale.				FAIRWAY VINYL SYSTEMS			
P.O. Box 37 Mount Joy, Pa 17552				UOM	REF#	REV	
				inch/mm	VR 401000B P1		
SCALE	SHEETS	DRAWN BY	DATE				
	1 of 1	EVS	7-11-08				

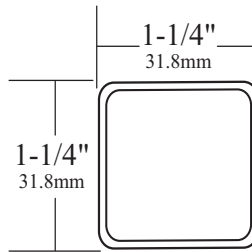
Dimensions and tolerances contained on drawings and figures are for reference only and may not encompass total allowable and approved dimensional variations.



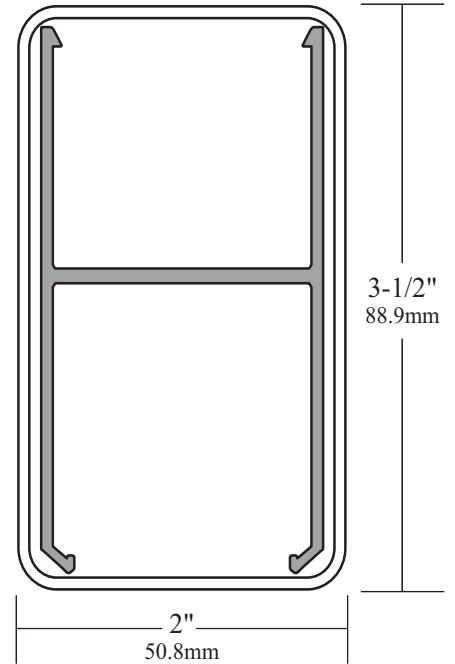
Standard Level Mounting Bracket



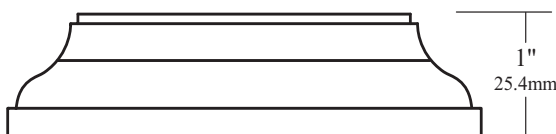
1-1/4" x 1-1/4" Turned Baluster



Standard 2" x 3-1/2" Rail (Top & Bottom Rails)



Standard Level Mounting Bracket (Top View)

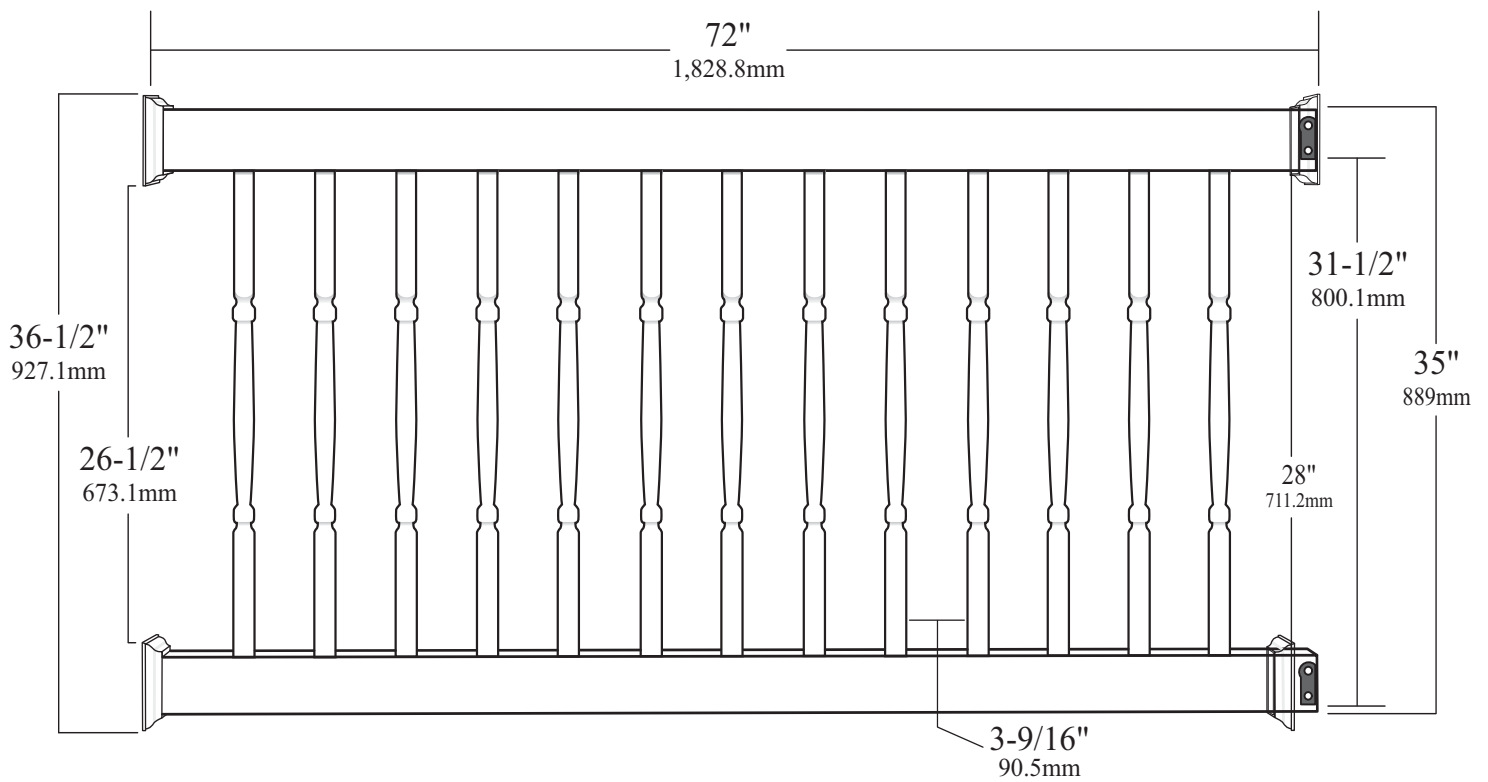


FAIRWAY RAILING™

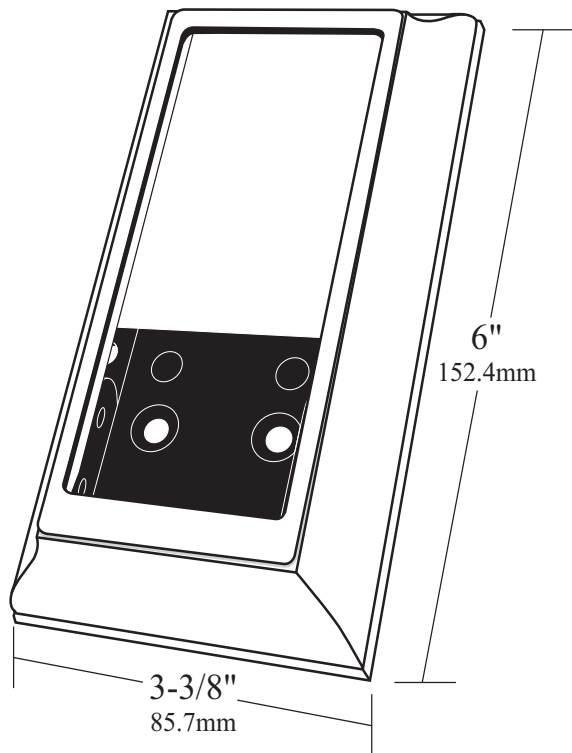
BY **Envision**

DOCUMENT TITLE:				6' Level Standard w/Turned Balusters - 36" height			
This drawing is the property of Fairway Vinyl Systems. Any hard copy of this drawing may not be current. This document and or images contained within may not be reproduced in publication format without express written consent of Fairway Vinyl Systems. Drawings may not be to scale.				FAIRWAY VINYL SYSTEMS			
P.O. Box 37 Mount Joy, Pa 17552				UOM REF#		REV	
				VR 401004 P1		1	
SCALE	SHEETS	DRAWN BY	DATE				
	1 of 1	EVS	7-11-08				

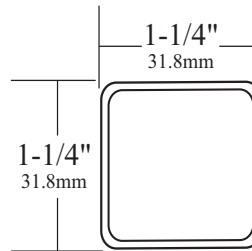
Dimensions and tolerances contained on drawings and figures are for reference only and may not encompass total allowable and approved dimensional variations.



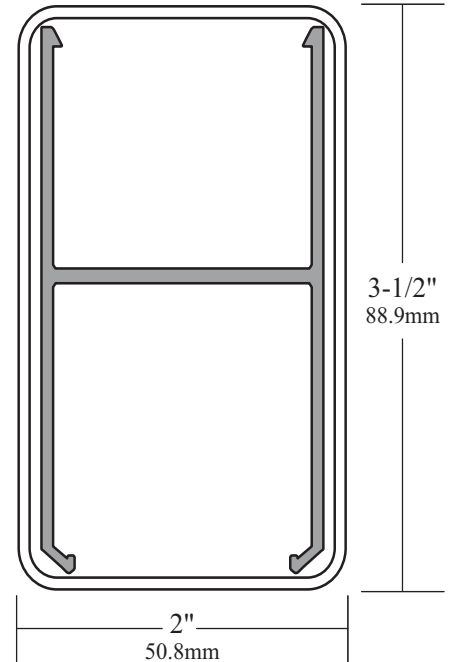
Standard Stair Mounting Bracket



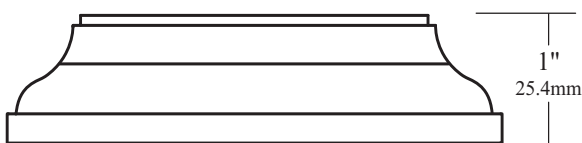
1-1/4" x 1-1/4" Turned Baluster



Standard 2" x 3-1/2" Rail (Top & Bottom Rails)



Standard Stair Mounting Bracket (Top View)

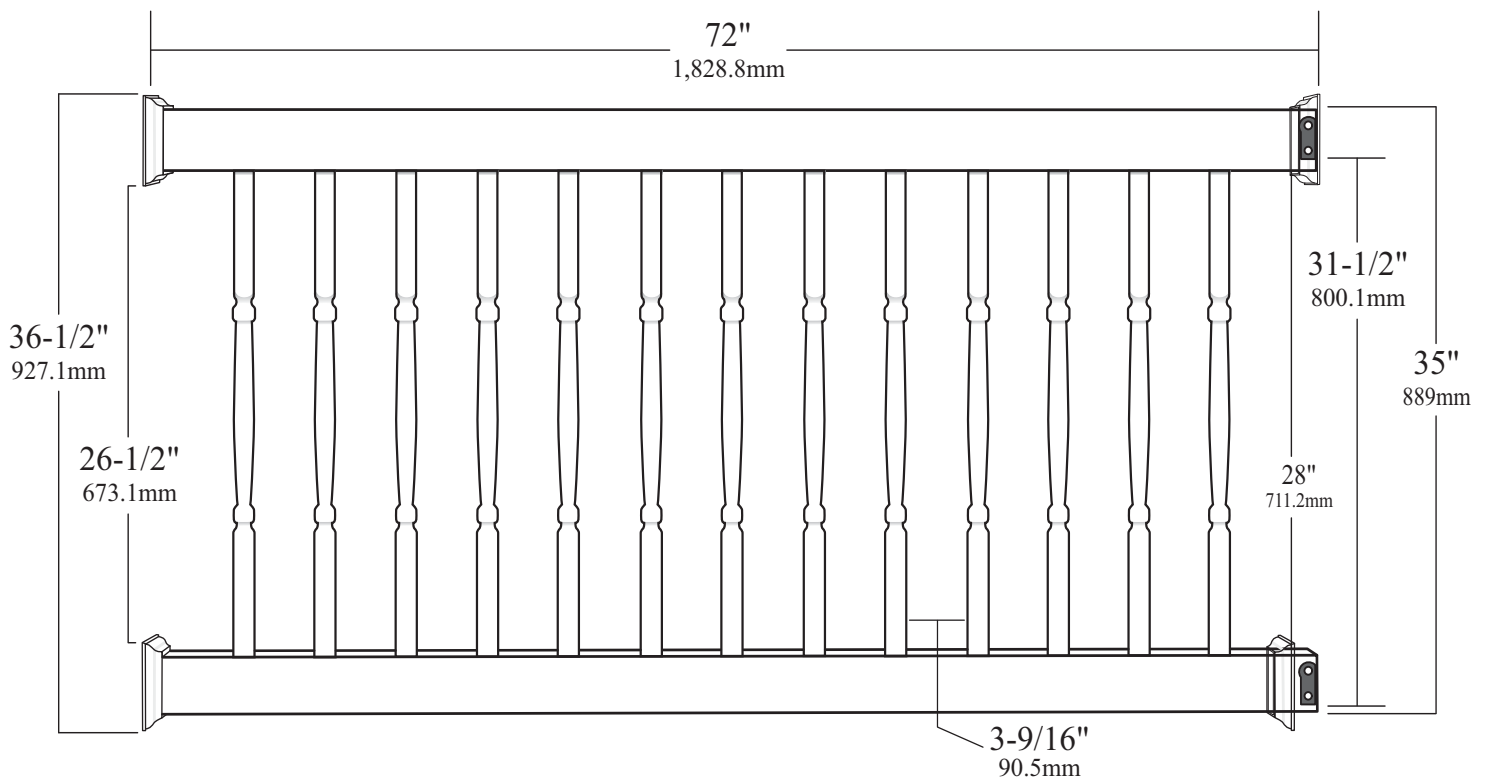


FAIRWAY RAILING™

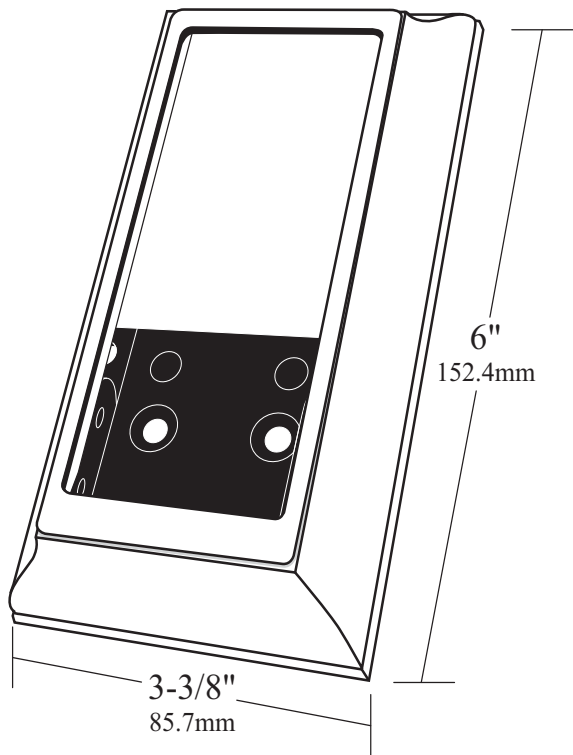
BY **Envision**

DOCUMENT TITLE:				6' Stair Standard w/Turned Balusters - 36" height (29°-35°)			
This drawing is the property of Fairway Vinyl Systems. Any hard copy of this drawing may not be current. This document and/or images contained within may not be reproduced in publication format without express written consent of Fairway Vinyl Systems. Drawings may not be to scale.				FAIRWAY VINYL SYSTEMS P.O. Box 37 Mount Joy, Pa 17552			
UOM	REF#	VR 401004A P1		REV			
SCALE	SHEETS	1 of 1	DRAWN BY	DATE	7-11-08		
			FVS				

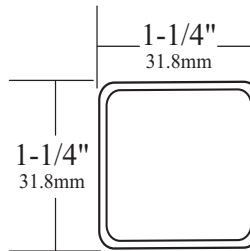
Dimensions and tolerances contained on drawings and figures are for reference only and may not encompass total allowable and approved dimensional variations.



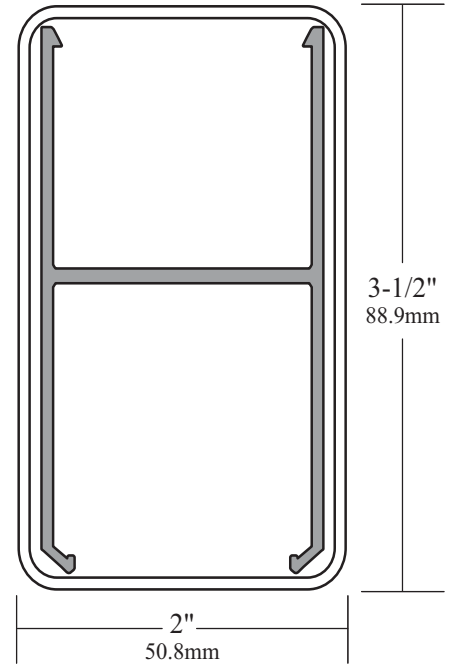
Standard Stair Mounting Bracket



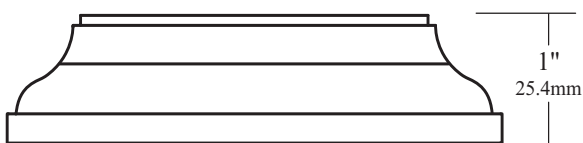
1-1/4" x 1-1/4" Turned Baluster



Standard 2" x 3-1/2" Rail (Top & Bottom Rails)

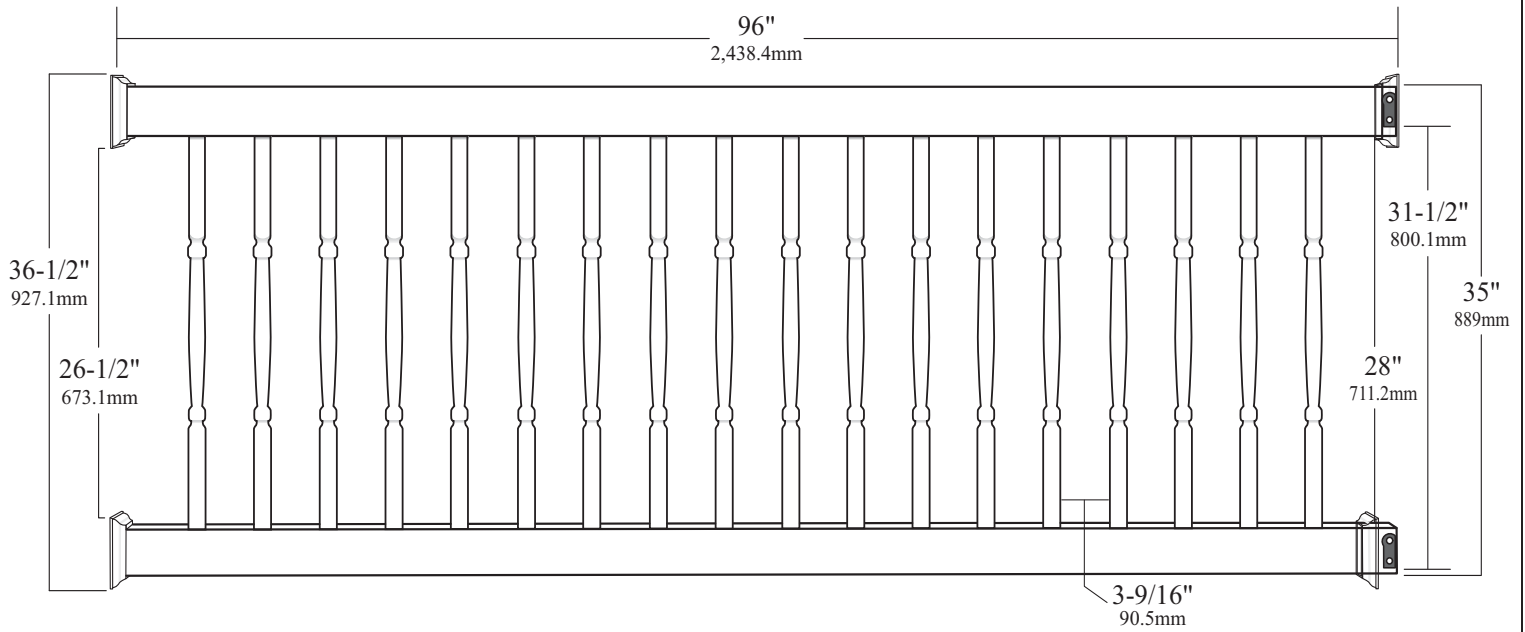


Standard Stair Mounting Bracket (Top View)

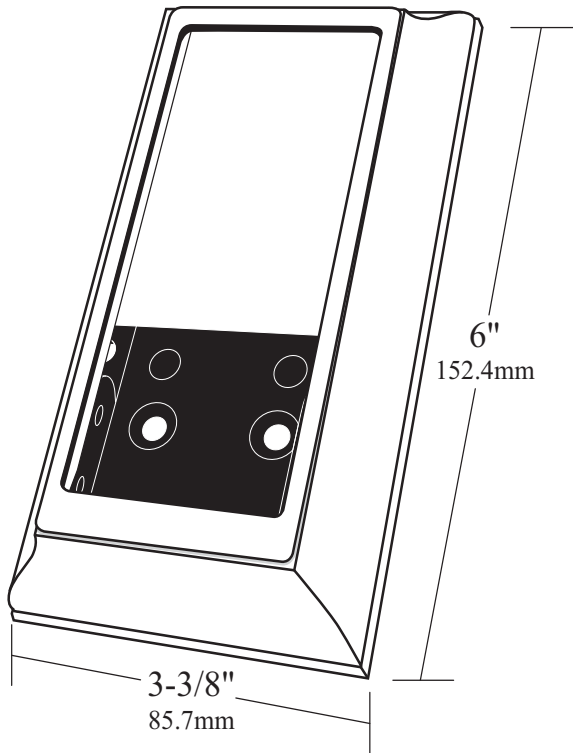


DOCUMENT TITLE:				6' Stair Standard w/Turned Balusters - 36" height (36°-41°)			
This drawing is the property of Fairway Vinyl Systems. Any hard copy of this drawing may not be current. This document and/or images contained within may not be reproduced in publication format without express written consent of Fairway Vinyl Systems. Drawings may not be to scale.				FAIRWAY VINYL SYSTEMS			
P.O. Box 37 Mount Joy, Pa 17552				REF# VR 401004B P1			
UOM	SCALE	SHEETS	DRAWN BY	DATE	REV		
inch/mm		1 of 1	FVS			7-11-08	

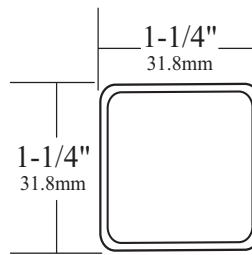
Dimensions and tolerances contained on drawings and figures are for reference only and may not encompass total allowable and approved dimensional variations.



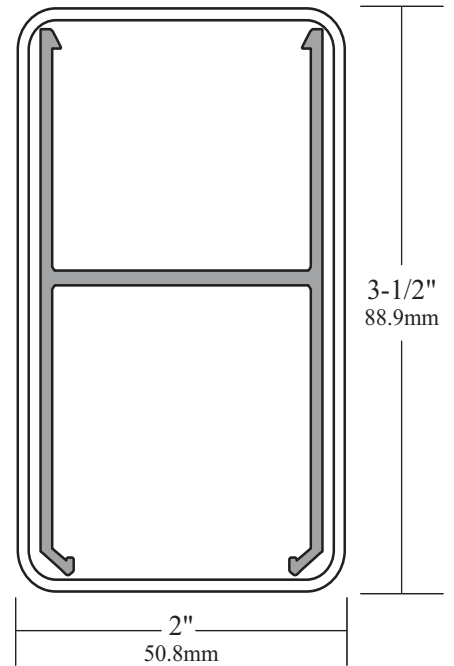
Standard Stair Mounting Bracket



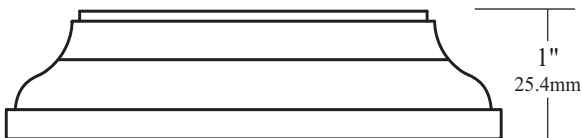
1-1/4" x 1-1/4"
Turned Baluster



Standard 2" x 3-1/2" Rail
(Top & Bottom Rails)

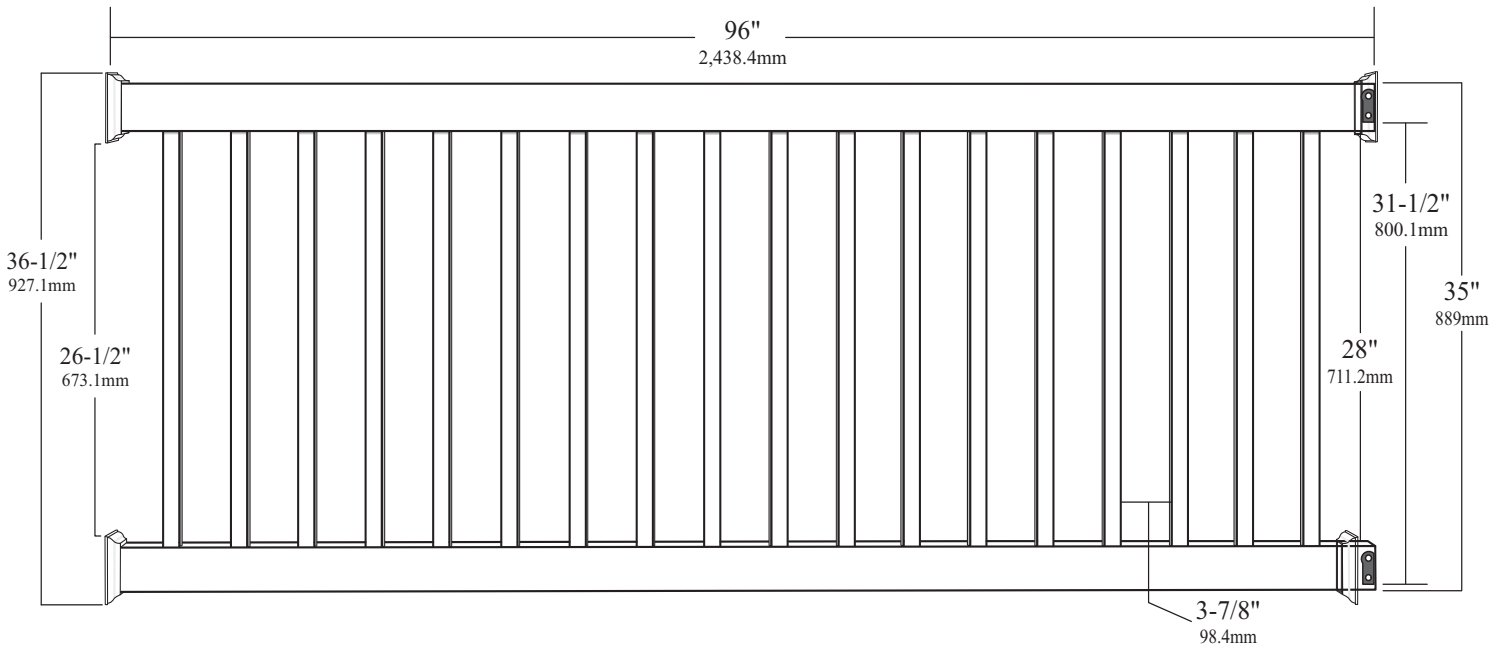


Standard Stair Mounting Bracket
(Top View)

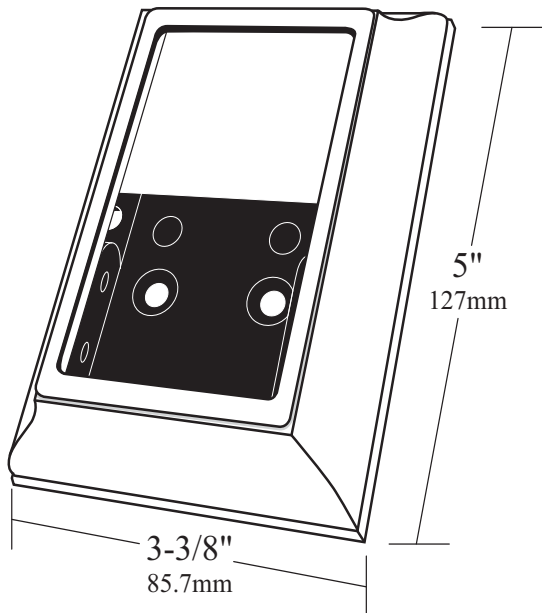


DOCUMENT TITLE:		8' Stair Standard w/Turned Balusters - 36" height (36°-41°)		
This drawing is the property of Fairway Vinyl Systems. Any hard copy of this drawing may not be current. This document and or images contained within may not be reproduced in publication format without express written consent of Fairway Vinyl Systems. Drawings may not be to scale.		FAIRWAY VINYL SYSTEMS		
P.O. Box 37 Mount Joy, Pa 17552		UOM	REF#	REV
		inch/mm	VR 401007A P1	
SCALE	SHEETS	DRAWN BY	DATE	
	1 of 1	FVS		7-11-08

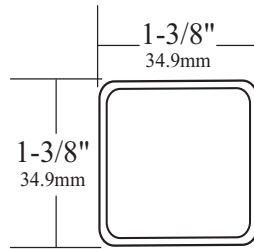
Dimensions and tolerances contained on drawings and figures are for reference only and may not encompass total allowable and approved dimensional variations.



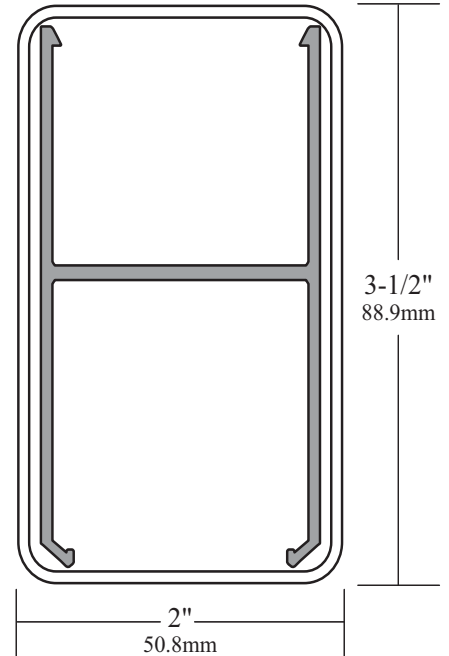
Standard Level Mounting Bracket



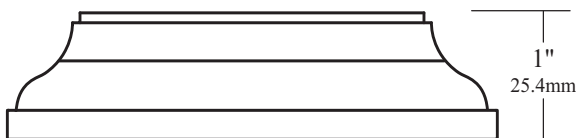
1-3/8" x 1-3/8"
Square Baluster



Standard 2" x 3-1/2" Rail
(Top & Bottom Rails)

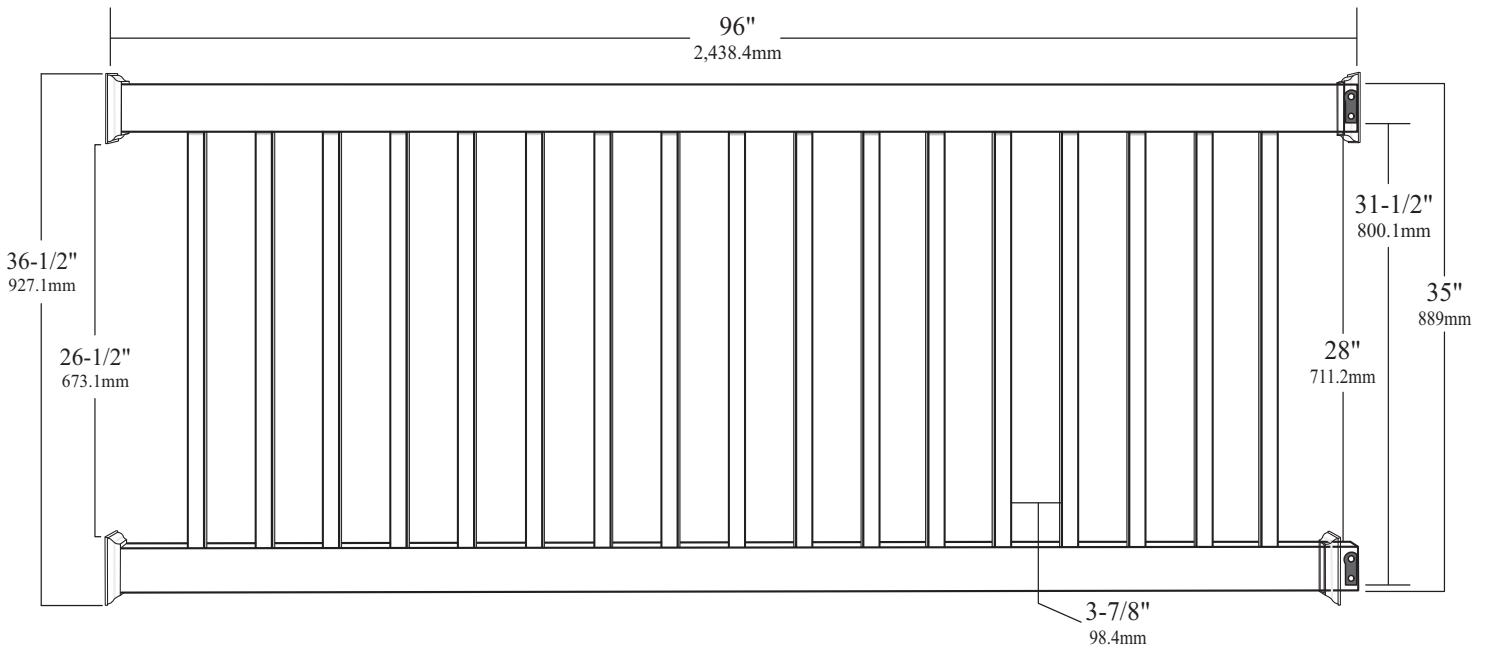


Standard Level Mounting Bracket
(Top View)

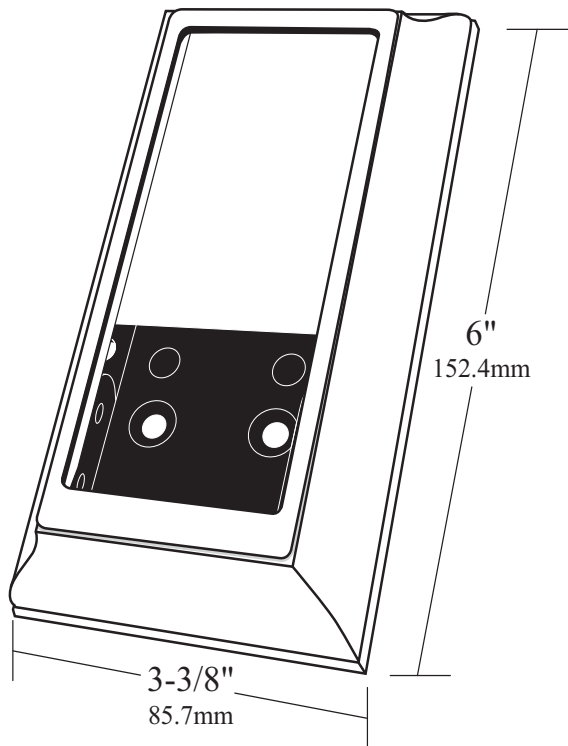


DOCUMENT TITLE:		8' Level Standard w/Square Balusters - 36" height			
This drawing is the property of Fairway Vinyl Systems. Any hard copy of this drawing may not be current. This document and or images contained within may not be reproduced in publication format without express written consent of Fairway Vinyl Systems. Drawings may not be to scale.					
FAIRWAY VINYL SYSTEMS					
P.O. Box 37 Mount Joy, Pa 17552					
UCM inch/mm	REF#	VR 401008 P1	REV	1	
SCALE	SHEETS	1 of 1	DRAWN BY	DATE	8-1-08
			FVS		

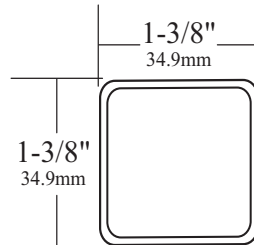
Dimensions and tolerances contained on drawings and figures are for reference only and may not encompass total allowable and approved dimensional variations.



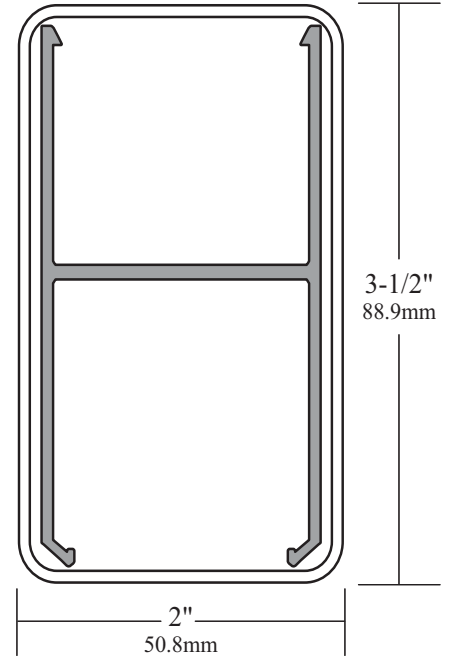
Standard Stair Mounting Bracket



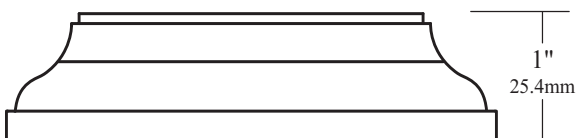
1-3/8" x 1-3/8"
Square Baluster



Standard 2" x 3-1/2" Rail
(Top & Bottom Rails)

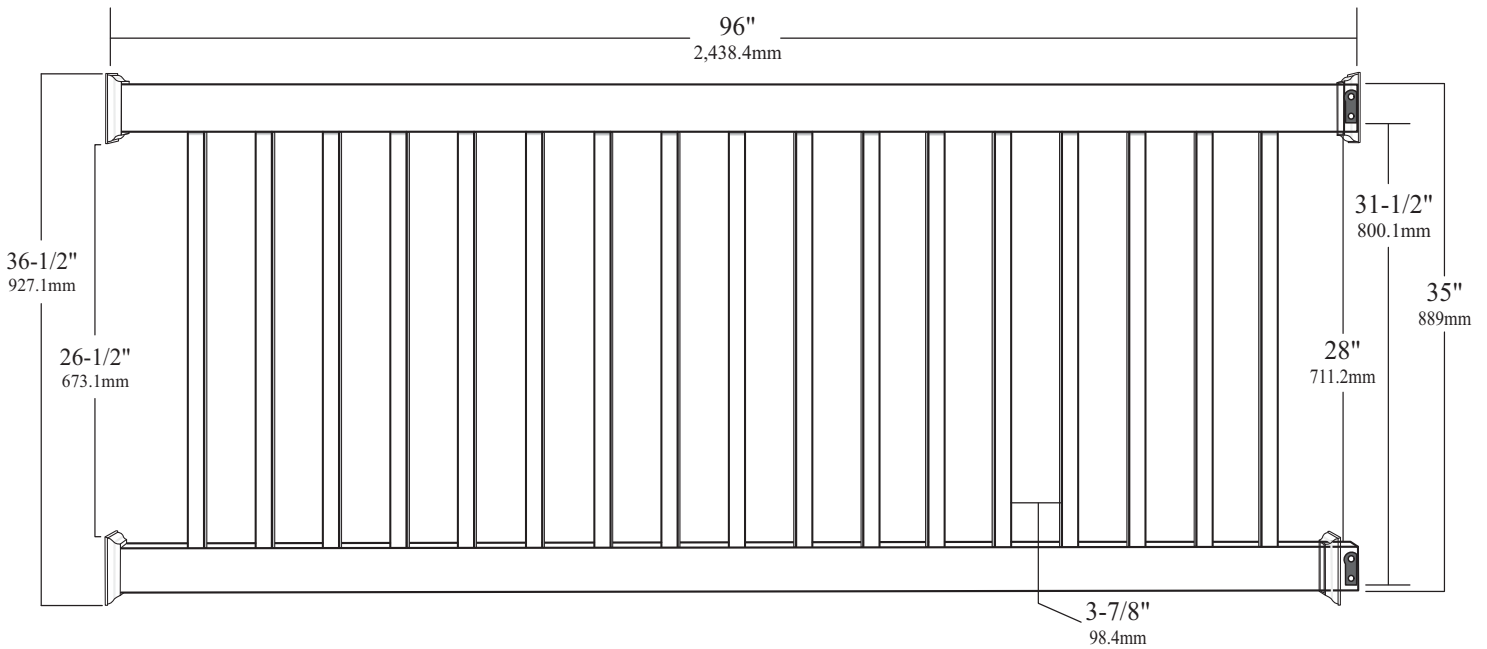


Standard Stair Mounting Bracket
(Top View)

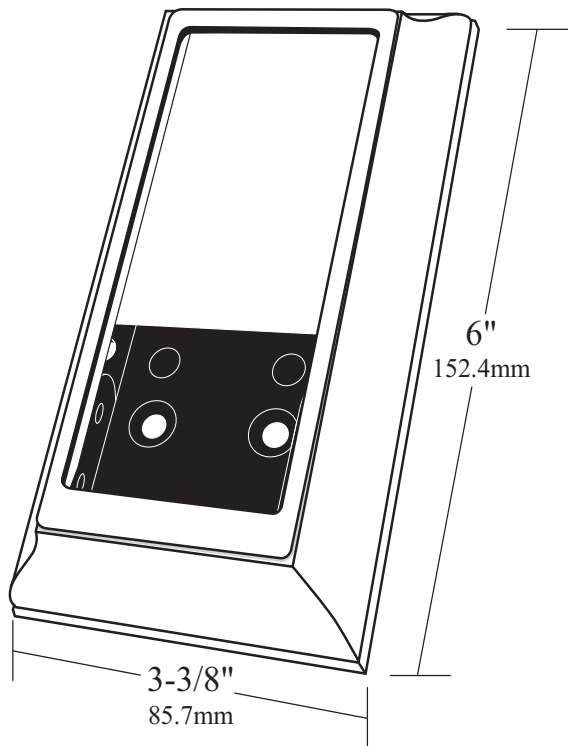


DOCUMENT TITLE:				8' Stair Standard w/Square Balusters - 36" height (36°-41°)			
This drawing is the property of Fairway Vinyl Systems. Any hard copy of this drawing may not be current. This document and or images contained within may not be reproduced in publication format without express written consent of Fairway Vinyl Systems. Drawings may not be to scale.				FAIRWAY VINYL SYSTEMS P.O. Box 37 Mount Joy, Pa 17552			
UOM	REF#	DRAWN BY		DATE	REV		
inch/mm	VR 401009A PI	FVS			1		
SCALE	SHEETS	1 of 1		DATE	8-1-08		

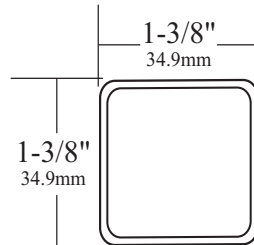
Dimensions and tolerances contained on drawings and figures are for reference only and may not encompass total allowable and approved dimensional variations.



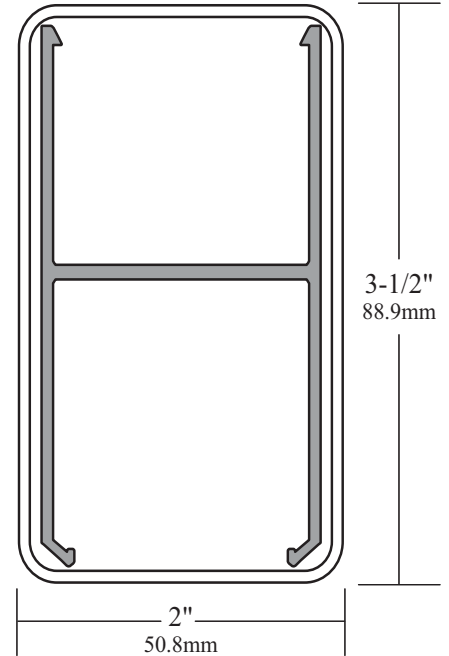
Standard Stair Mounting Bracket



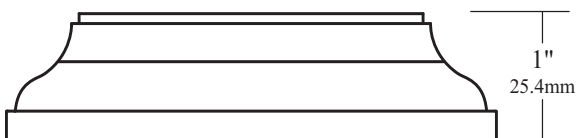
1-3/8" x 1-3/8"
Square Baluster



Standard 2" x 3-1/2" Rail
(Top & Bottom Rails)

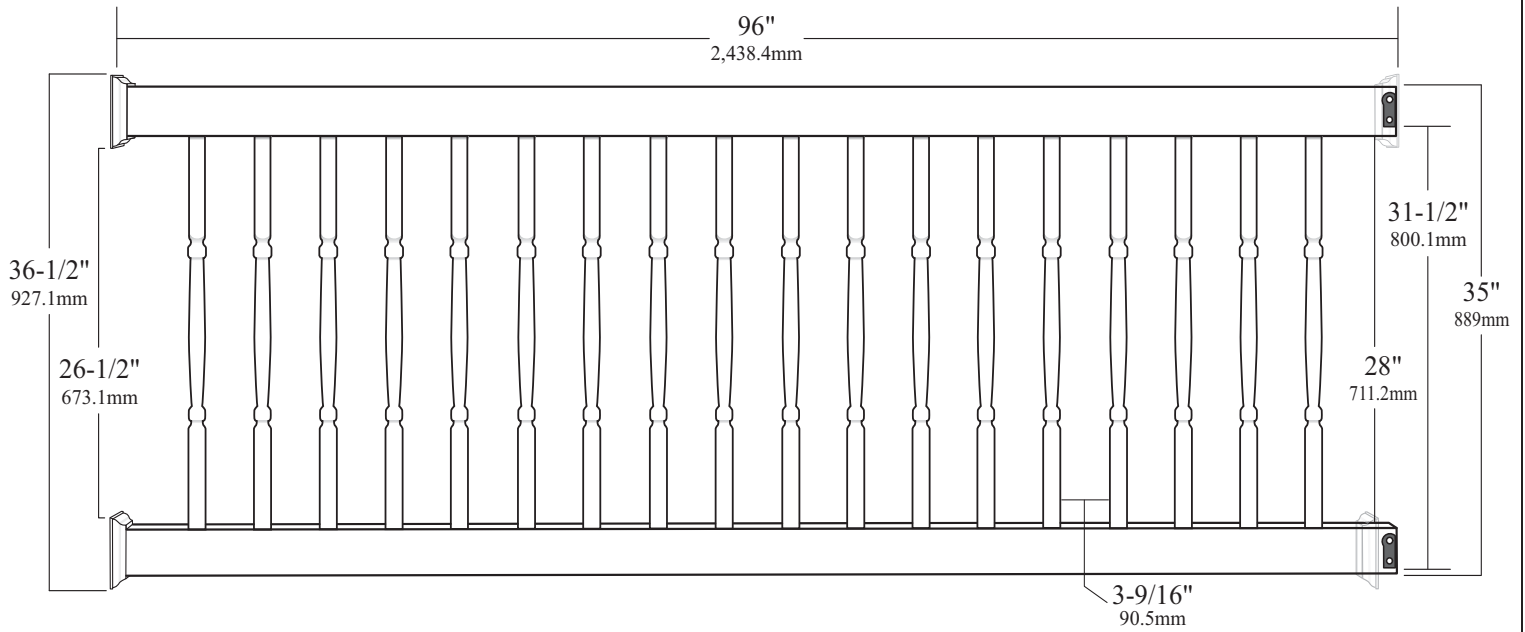


Standard Stair Mounting Bracket
(Top View)

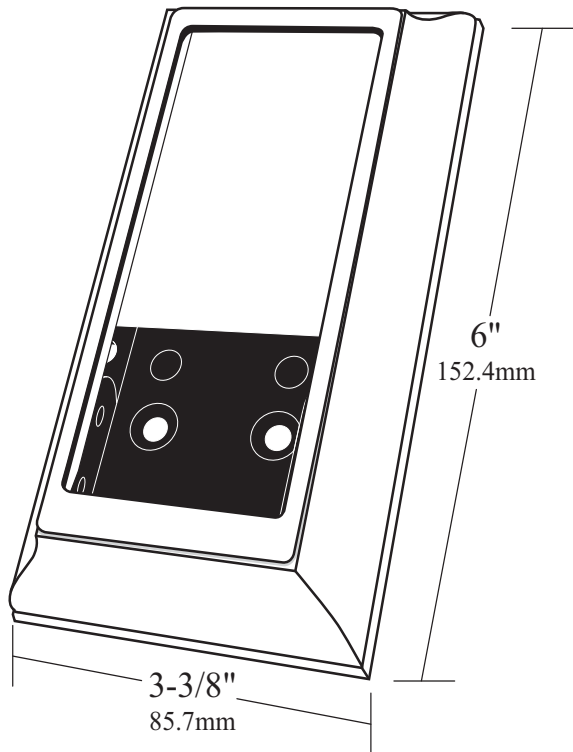


DOCUMENT TITLE:				8' Stair Standard w/Square Balusters - 36" height (29°-35°)			
This drawing is the property of Fairway Vinyl Systems. Any hard copy of this drawing may not be current. This document and or images contained within may not be reproduced in publication format without express written consent of Fairway Vinyl Systems. Drawings may not be to scale.				FAIRWAY VINYL SYSTEMS			
P.O. Box 37 Mount Joy, Pa 17552				REF# VR 401016 P1		REV 1	
SCALE	SHEETS	DRAWN BY	DATE				
1 of 1	EVS		8-1-08				

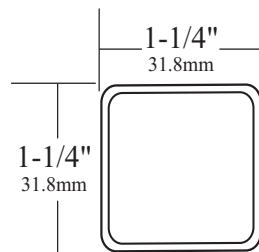
Dimensions and tolerances contained on drawings and figures are for reference only and may not encompass total allowable and approved dimensional variations.



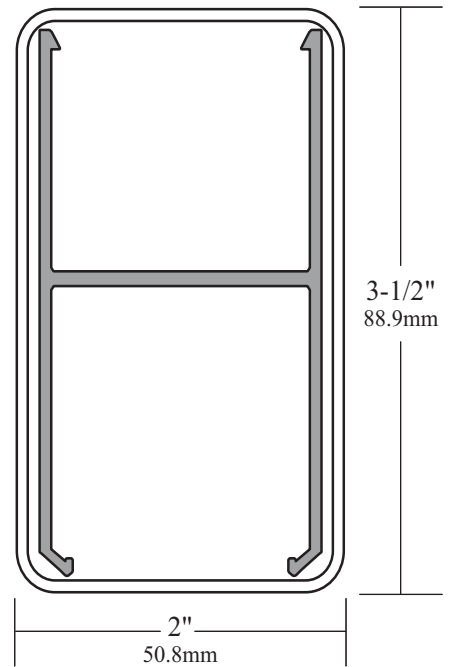
Standard Stair Mounting Bracket



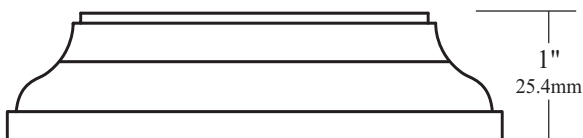
1-1/4" x 1-1/4"
Turned Baluster



Standard 2" x 3-1/2" Rail
(Top & Bottom Rails)

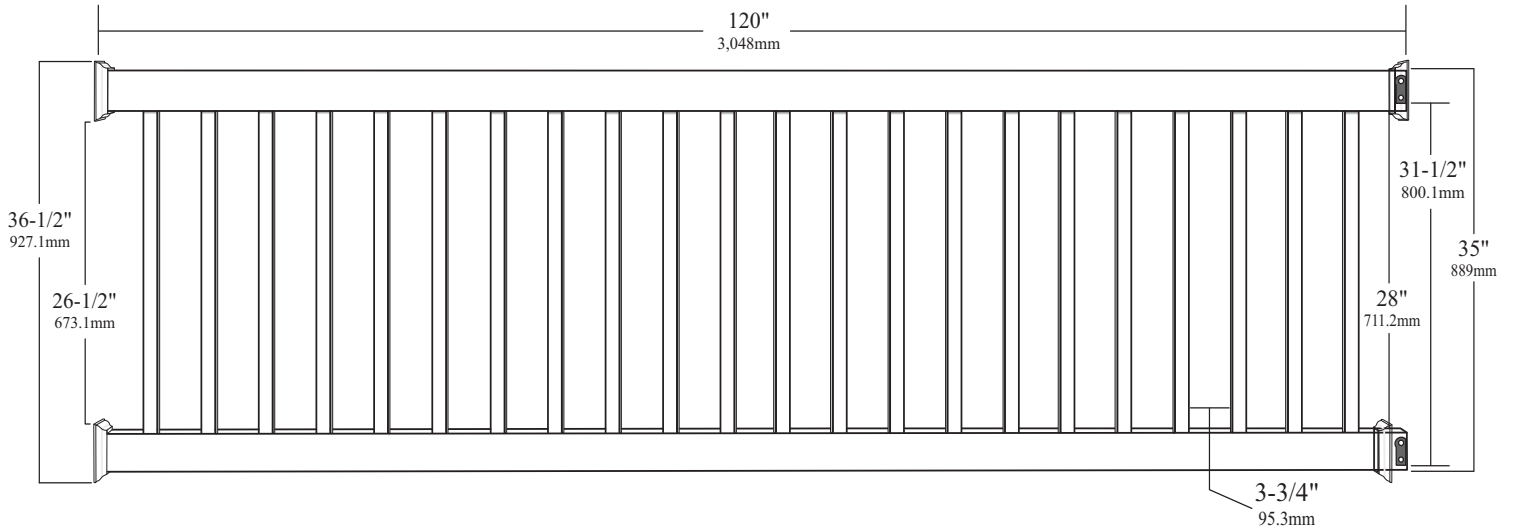


Standard Stair Mounting Bracket
(Top View)

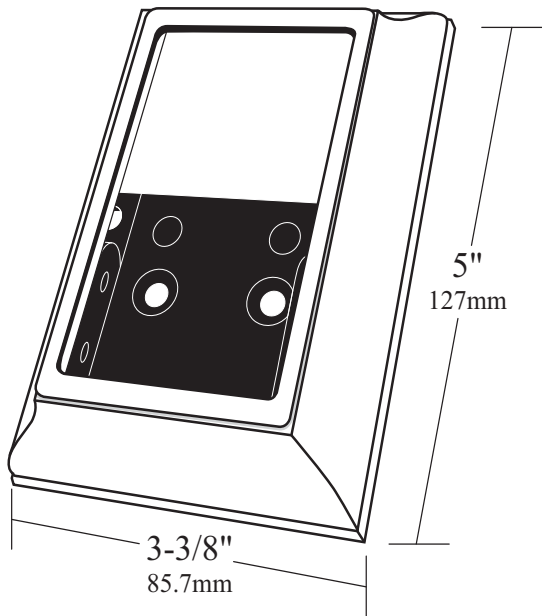


DOCUMENT TITLE:		8' Stair Standard w/Turned Balusters - 36" height (29°-35°)		
This drawing is the property of Fairway Vinyl Systems. Any hard copy of this drawing may not be current. This document and or images contained within may not be reproduced in publication format without express written consent of Fairway Vinyl Systems. Drawings may not be to scale.		FAIRWAY VINYL SYSTEMS P.O. Box 37 Mount Joy, Pa 17552		
UCM inch/mm	REF#	VR 401017 P1	REV	
SCALE	SHEETS	1 of 1	DRAWN BY EVS	DATE 7-11-08

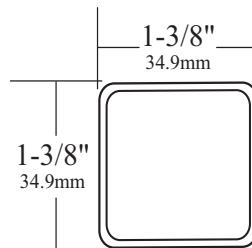
Dimensions and tolerances contained on drawings and figures are for reference only and may not encompass total allowable and approved dimensional variations.



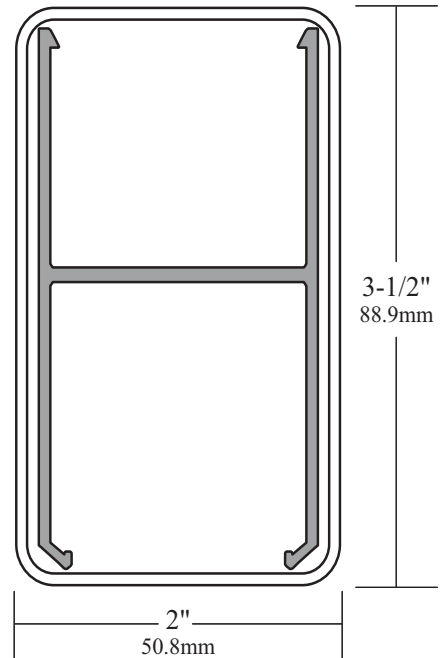
Standard Level Mounting Bracket



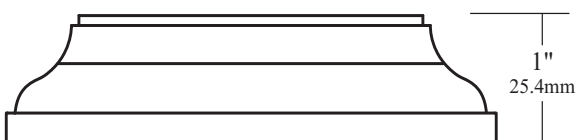
1-3/8" x 1-3/8"
Square Baluster



Standard 2" x 3-1/2" Rail
(Top & Bottom Rails)

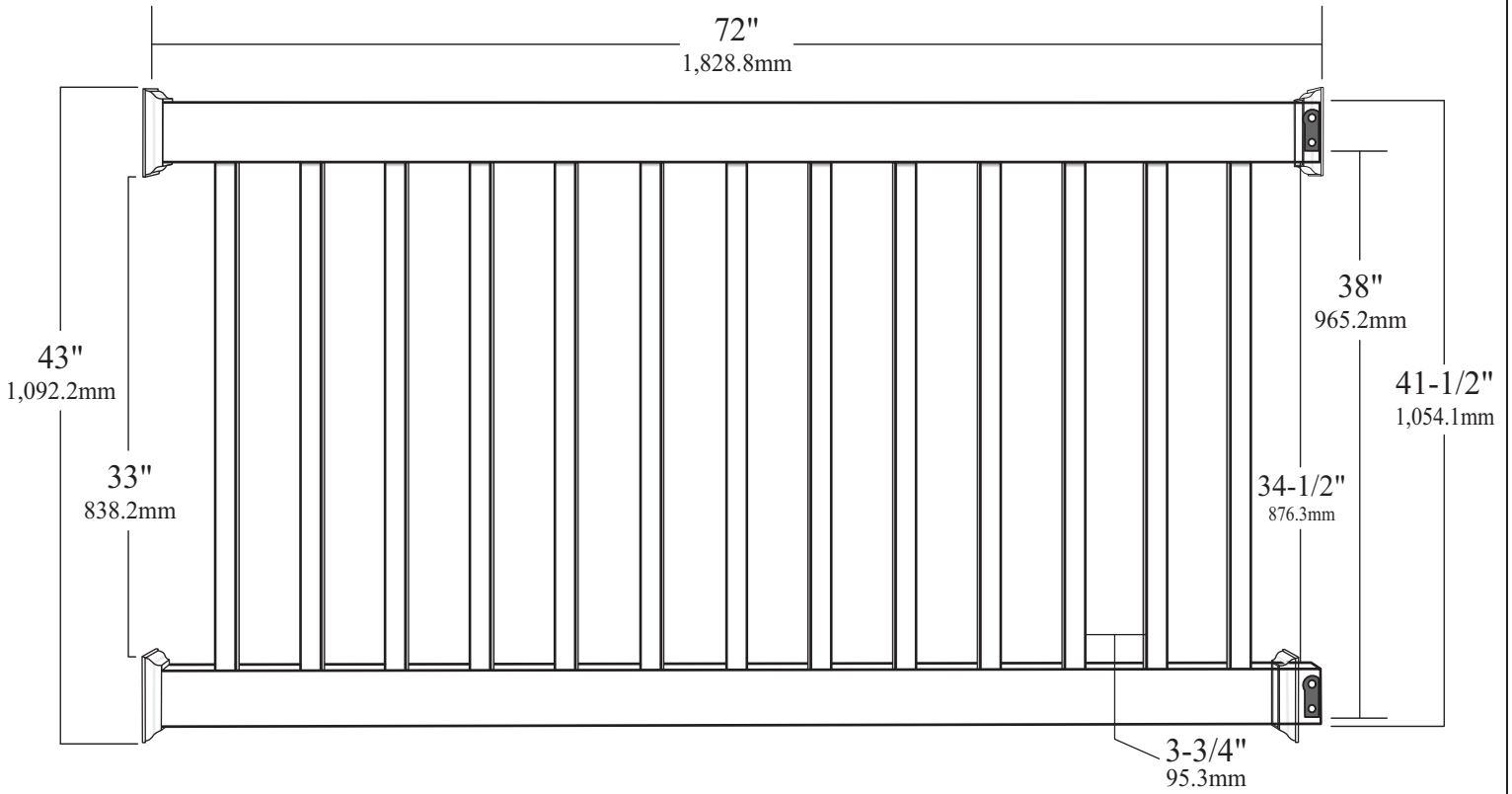


Standard Level Mounting Bracket
(Top View)

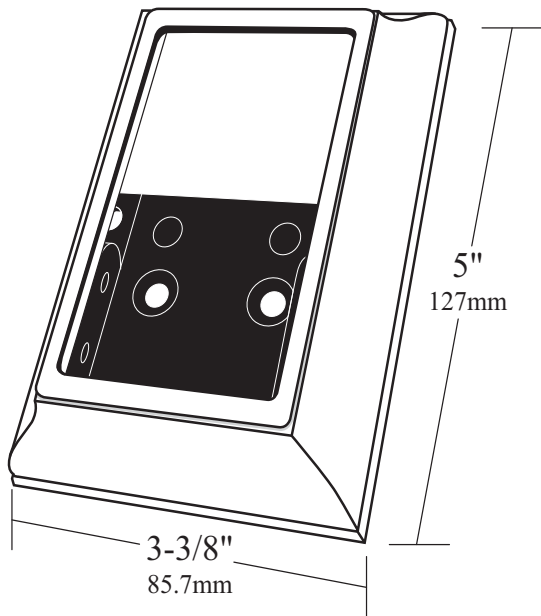


DOCUMENT TITLE:			
10' Level Standard w/Square Balusters - 36" height			
This drawing is the property of Fairway Vinyl Systems. Any hard copy of this drawing may not be current. This document and or images contained within may not be reproduced in publication format without express written consent of Fairway Vinyl Systems. Drawings may not be to scale.			
FAIRWAY VINYL SYSTEMS			
P.O. Box 37 Mount Joy, Pa 17552			
UOM inch/mm	REF#	REV	
	VR 401030 P1		1
SCALE	SHEETS	DRAWN BY	DATE
	1 of 1	FVS	8-1-08

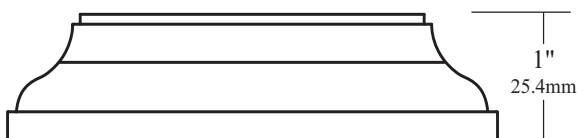
Dimensions and tolerances contained on drawings and figures are for reference only and may not encompass total allowable and approved dimensional variations.



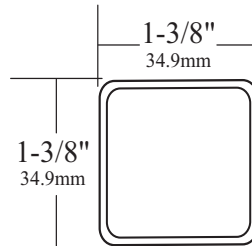
Standard Level Mounting Bracket



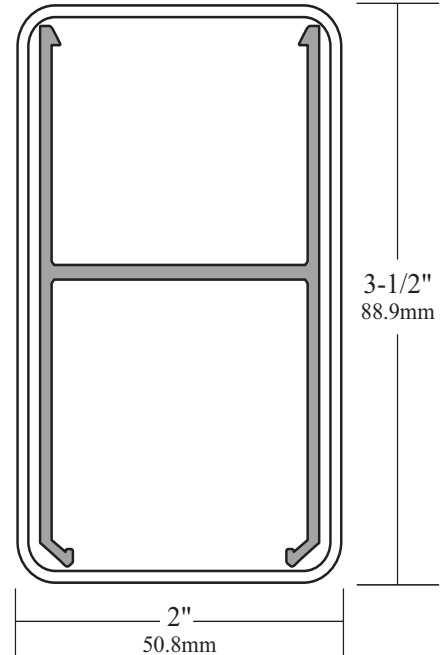
Standard Level Mounting Bracket
(Top View)



1-3/8" x 1-3/8"
Square Baluster

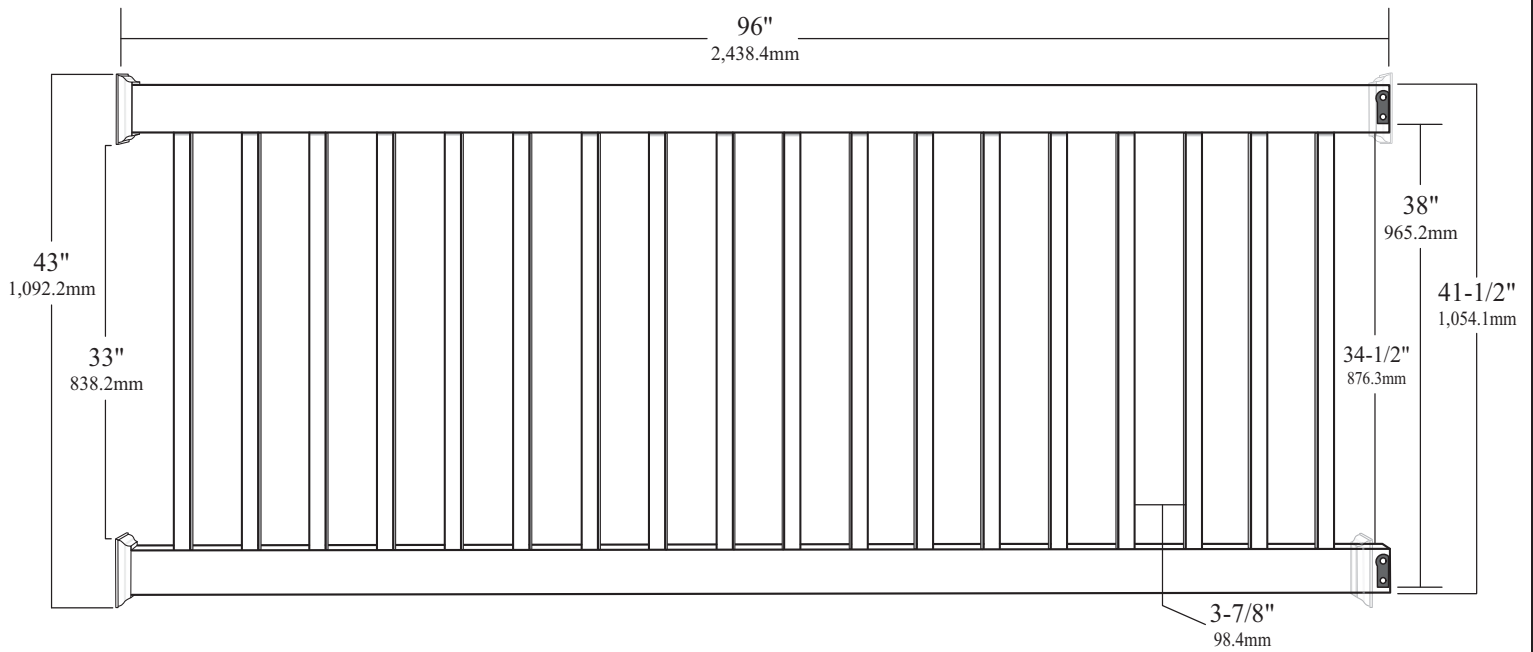


Standard 2" x 3-1/2" Rail
(Top & Bottom Rails)

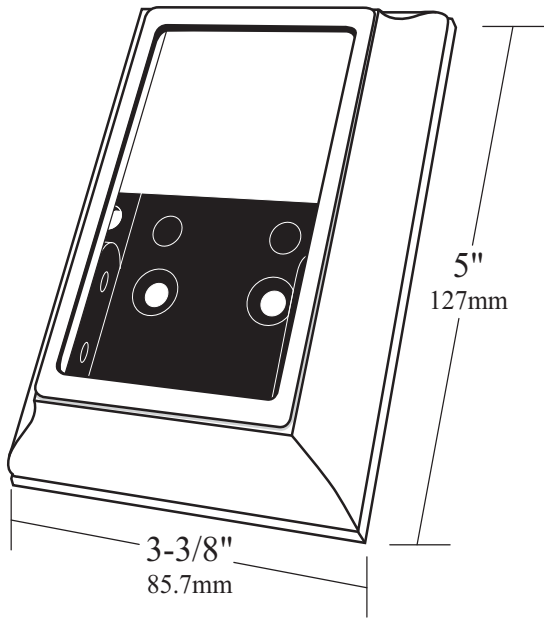


DOCUMENT TITLE:		6' Level Standard w/Square Balusters - 42" height			
This drawing is the property of Fairway Vinyl Systems. Any hard copy of this drawing may not be current. This document and or images contained within may not be reproduced in publication format without express written consent of Fairway Vinyl Systems. Drawings may not be to scale.					
FAIRWAY VINYL SYSTEMS					
P.O. Box 37 Mount Joy, Pa 17552					
UDM inch/mm	REF#	VR 403000 P1	REV	1	
SCALE	SHEETS	1 of 1	DRAWN BY	DATE	8-1-08
			FVS		

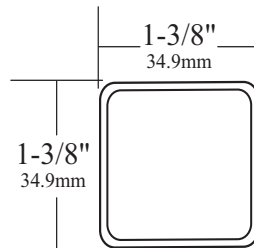
Dimensions and tolerances contained on drawings and figures are for reference only and may not encompass total allowable and approved dimensional variations.



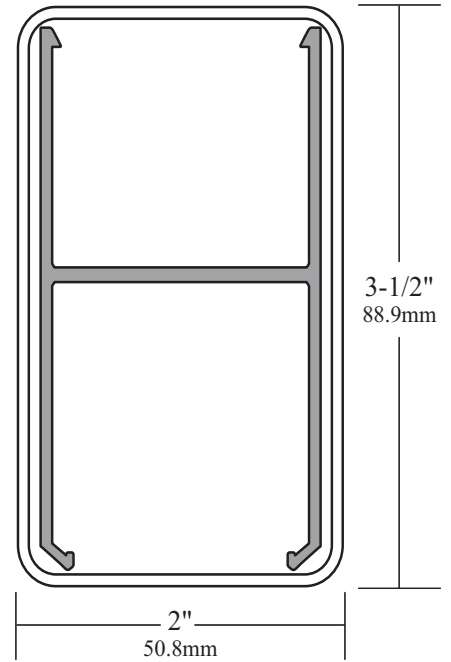
Standard Level Mounting Bracket



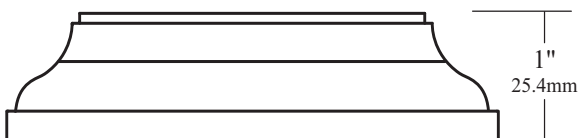
1-3/8" x 1-3/8"
Square Baluster



Standard 2" x 3-1/2" Rail
(Top & Bottom Rails)

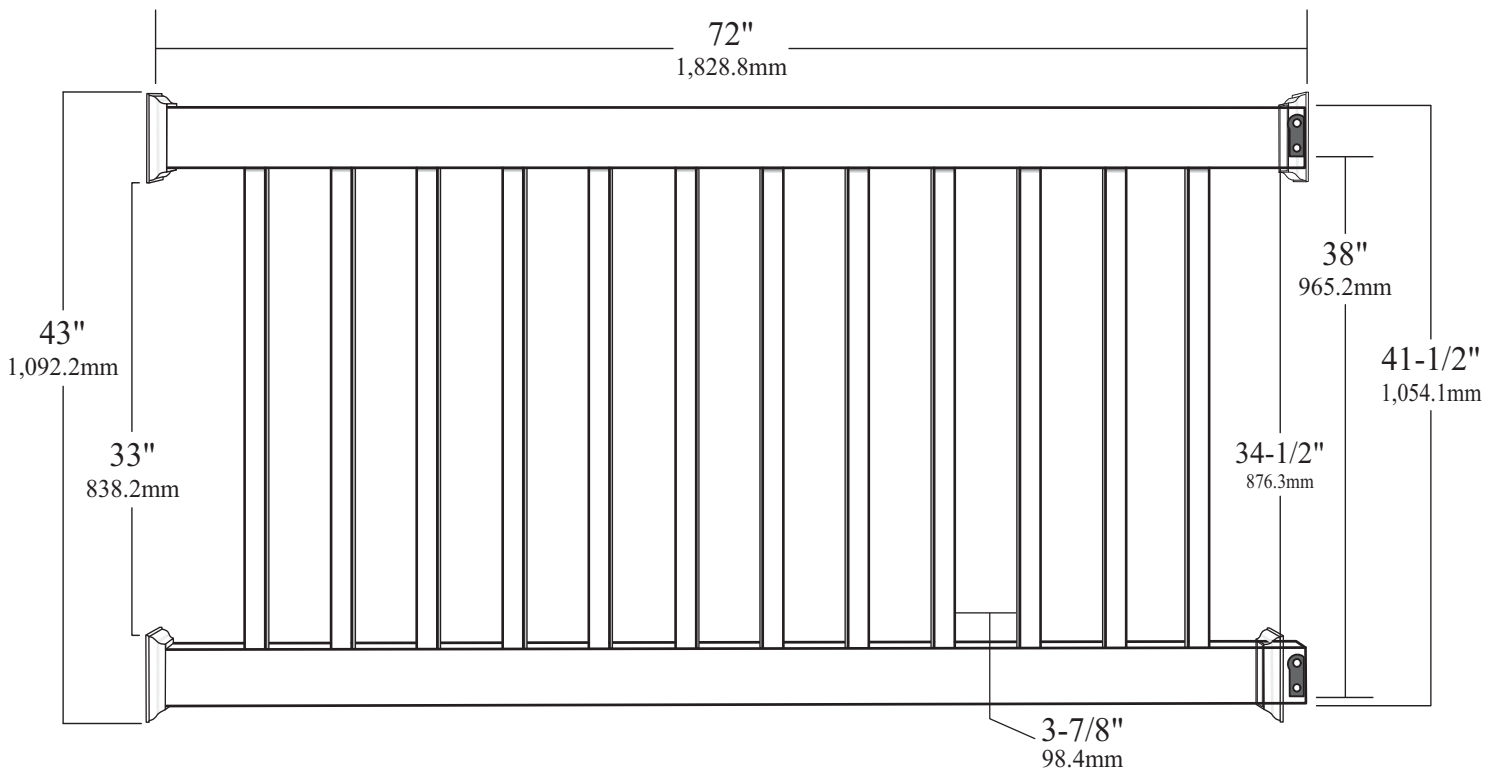


Standard Level Mounting Bracket
(Top View)

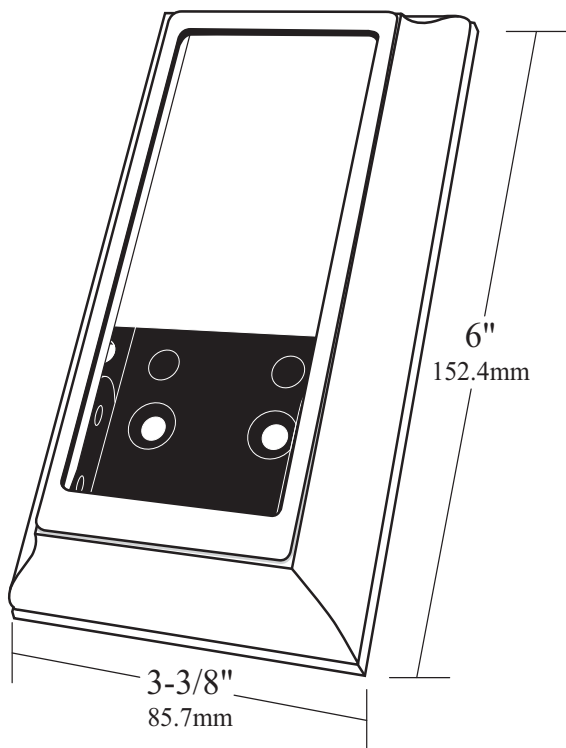


DOCUMENT TITLE:				8' Level Standard w/Square Balusters - 42" height			
This drawing is the property of Fairway Vinyl Systems. Any hard copy of this drawing may not be current. This document and or images contained within may not be reproduced in publication format without express written consent of Fairway Vinyl Systems. Drawings may not be to scale.				FAIRWAY VINYL SYSTEMS			
P.O. Box 37 Mount Joy, Pa 17552				UOM inch/mm		REF# VR 403008 P1	REV 1
SCALE	SHEET#	1 of 1	DRAWN BY EVS	DATE	2-23-10		

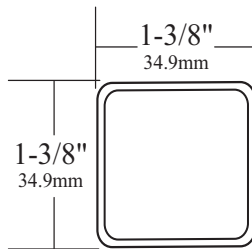
Dimensions and tolerances contained on drawings and figures are for reference only and may not encompass total allowable and approved dimensional variations.



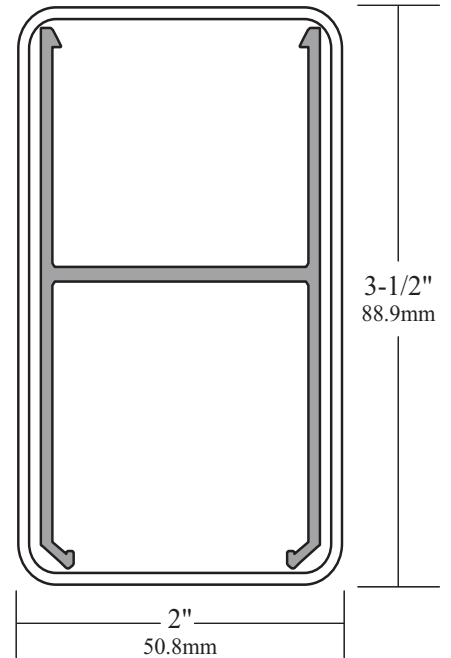
Standard Stair Mounting Bracket



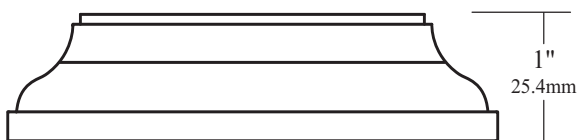
1-3/8" x 1-3/8"
Square Baluster



Standard 2" x 3-1/2" Rail
(Top & Bottom Rails)

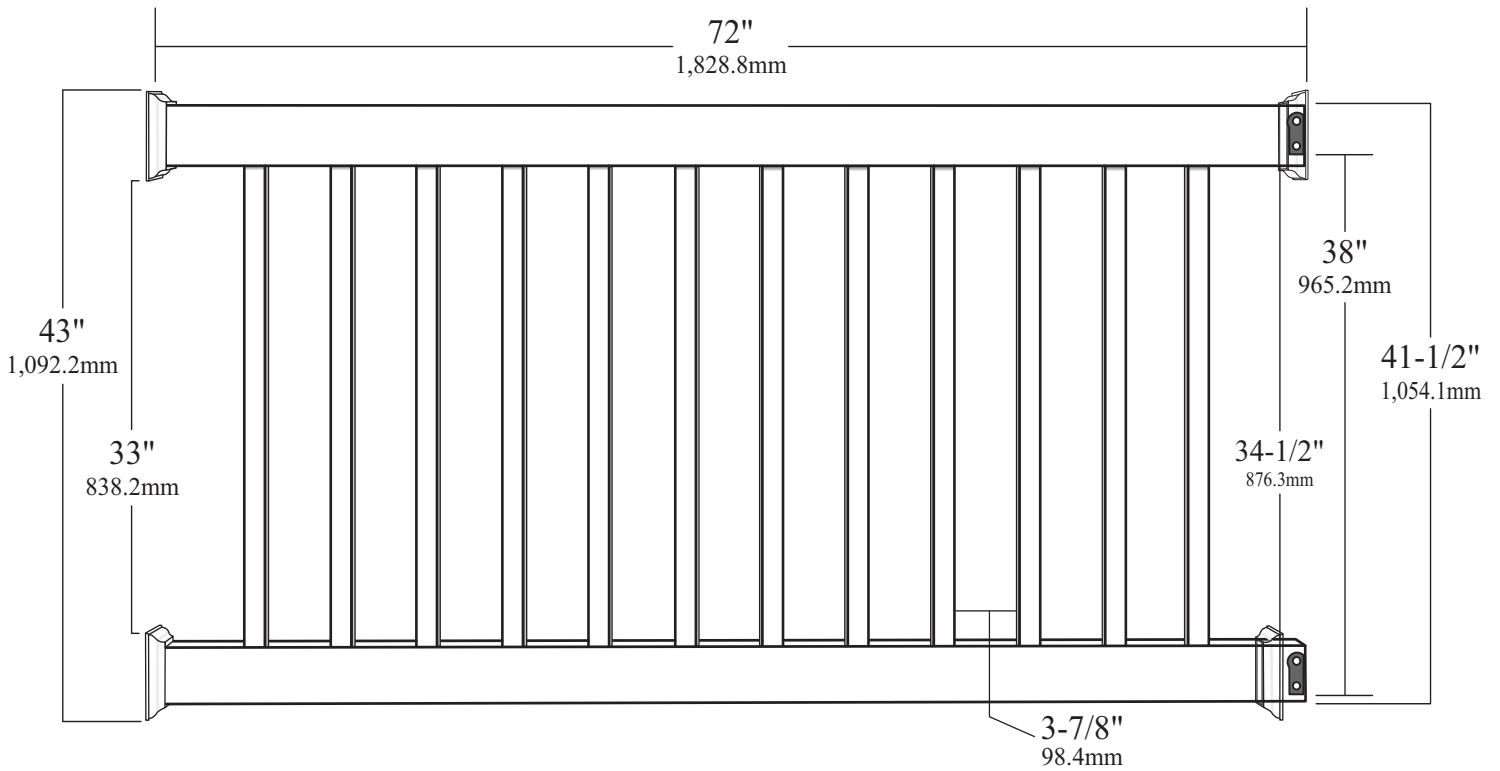


Standard Stair Mounting Bracket
(Top View)

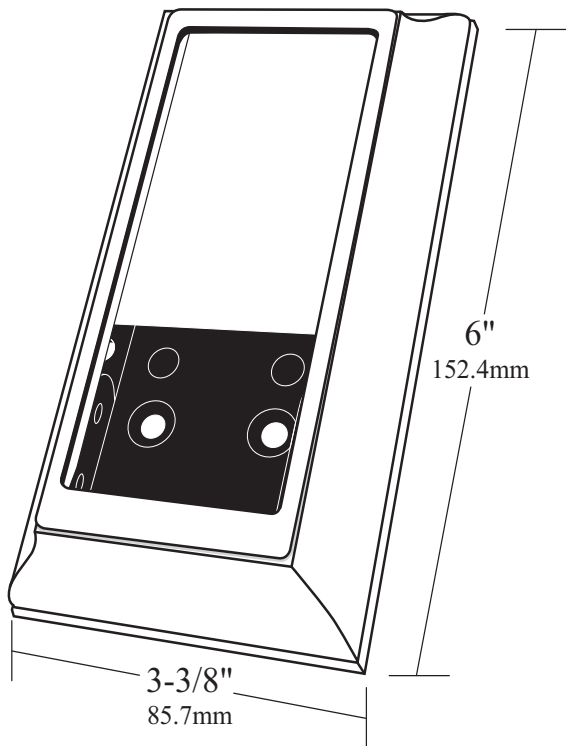


DOCUMENT TITLE:				6' Stair Standard w/Square Balusters - 42" height (29°-35°)			
This drawing is the property of Fairway Vinyl Systems. Any hard copy of this drawing may not be current. This document and or images contained within may not be reproduced in publication format without express written consent of Fairway Vinyl Systems. Drawings may not be to scale.				FAIRWAY VINYL SYSTEMS			
P.O. Box 37 Mount Joy, Pa 17552				UOM REF#			
				VR 403000A P1		REV 1	
SCALE	SHEETS	DRAWN BY	DATE				
	1 of 1	FVS	8-1-08				

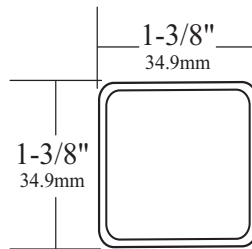
Dimensions and tolerances contained on drawings and figures are for reference only and may not encompass total allowable and approved dimensional variations.



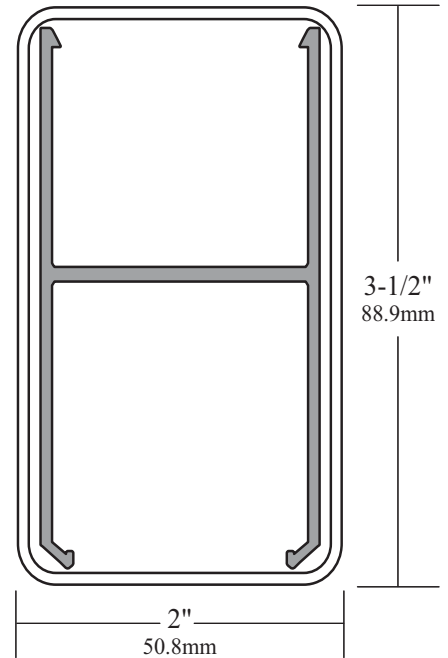
Standard Stair Mounting Bracket



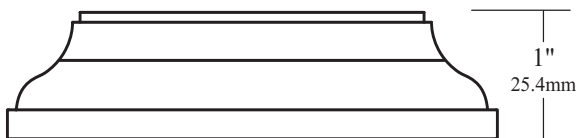
1-3/8" x 1-3/8"
Square Baluster



Standard 2" x 3-1/2" Rail
(Top & Bottom Rails)

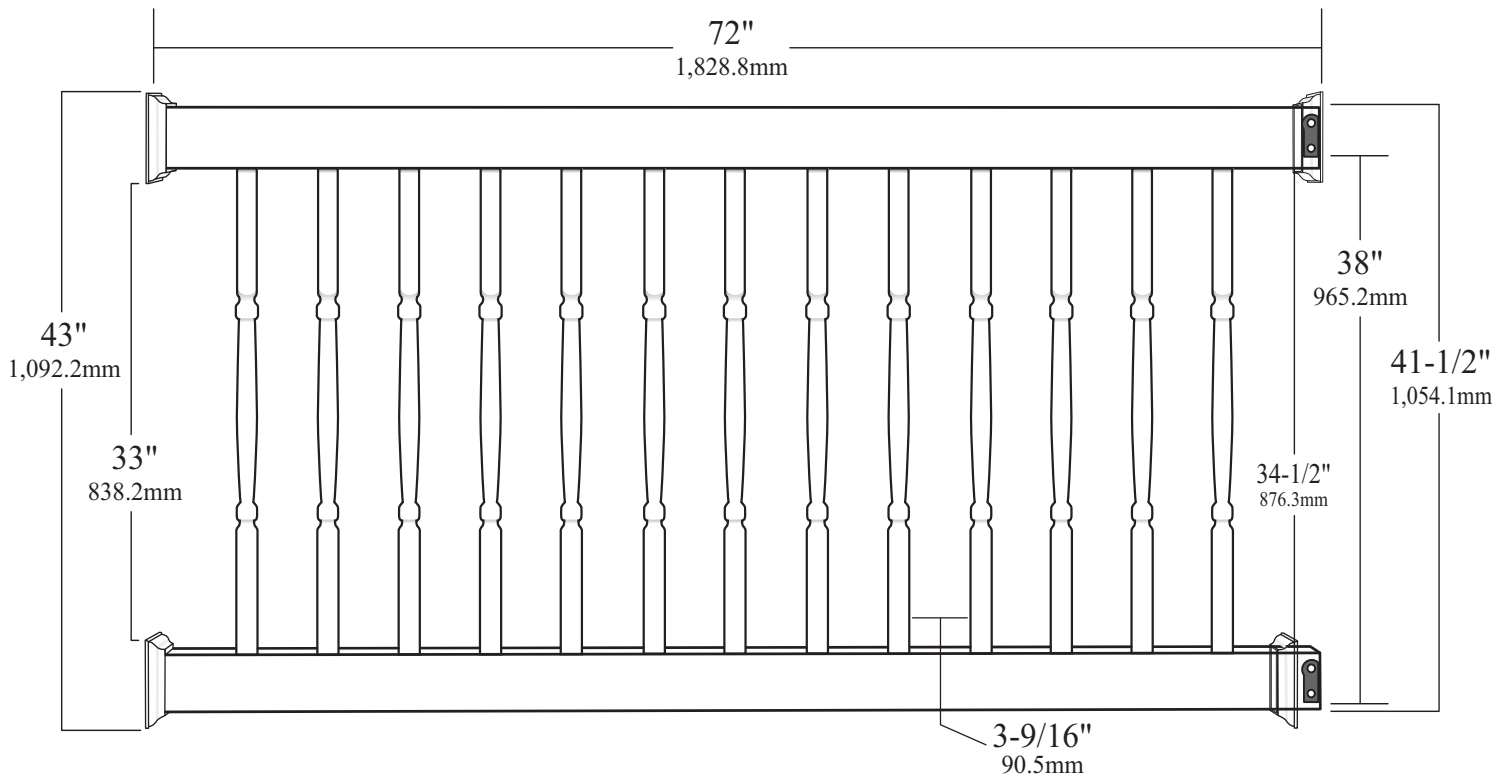


Standard Stair Mounting Bracket
(Top View)

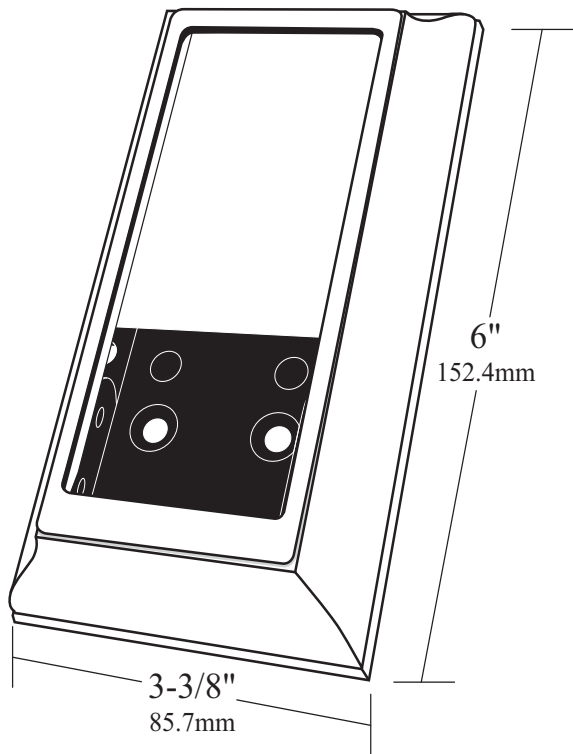


DOCUMENT TITLE:				6' Stair Standard w/Square Balusters - 42" height (36°-41°)			
This drawing is the property of Fairway Vinyl Systems. Any hard copy of this drawing may not be current. This document and or images contained within may not be reproduced in publication format without express written consent of Fairway Vinyl Systems. Drawings may not be to scale.				FAIRWAY VINYL SYSTEMS			
P.O. Box 37 Mount Joy, Pa 17552				REF# VR 403000B P1			
SCALE	SHEETS	DRAWN BY	DATE	REV			
1 of 1		FVS		1			8-1-08

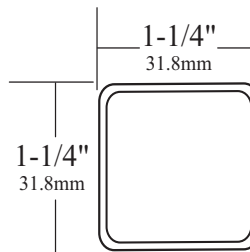
Dimensions and tolerances contained on drawings and figures are for reference only and may not encompass total allowable and approved dimensional variations.



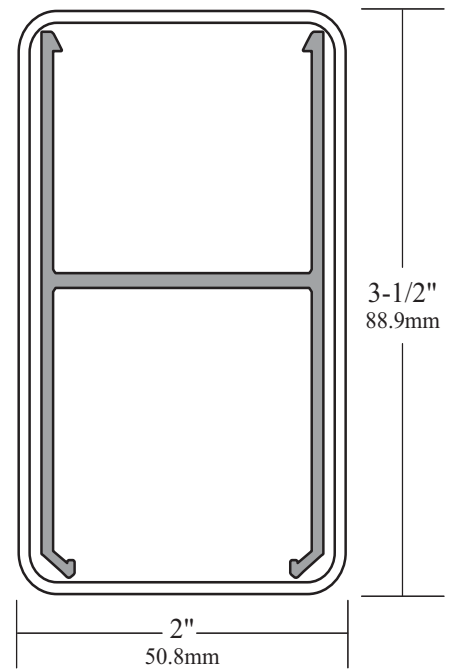
Standard Stair Mounting Bracket



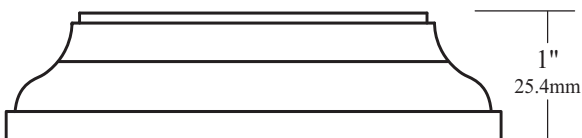
1-1/4" x 1-1/4"
Turned Baluster



Standard 2" x 3-1/2" Rail
(Top & Bottom Rails)

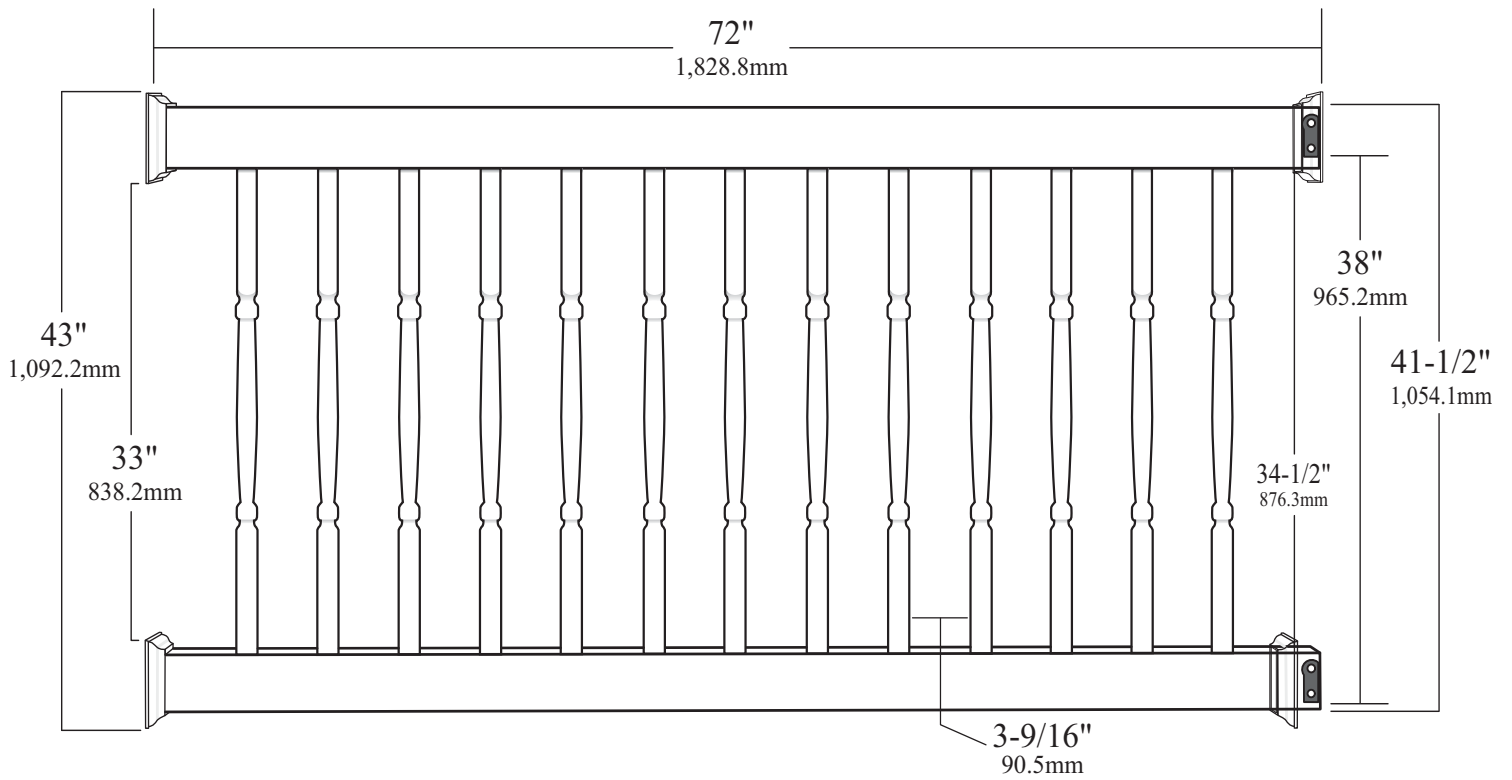


Standard Stair Mounting Bracket
(Top View)

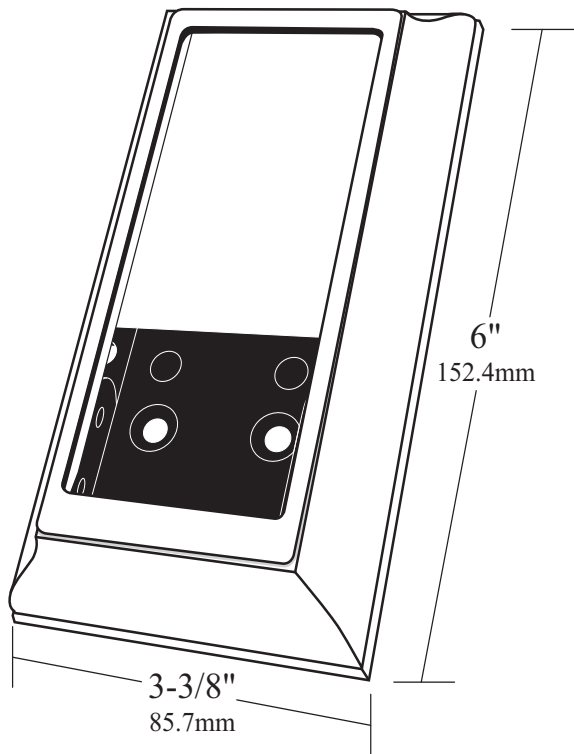


DOCUMENT TITLE:				6' Stair Standard w/Turned Balusters - 42" height (29°-35°)			
This drawing is the property of Fairway Vinyl Systems. Any hard copy of this drawing may not be current. This document and/or images contained within may not be reproduced in publication format without express written consent of Fairway Vinyl Systems. Drawings may not be to scale.				FAIRWAY VINYL SYSTEMS			
P.O. Box 37 Mount Joy, Pa 17552				REF# VR 403004A P1			
SCALE	SHEETS	DRAWN BY	DATE	REV			
	1 of 1	FVS					7-11-08

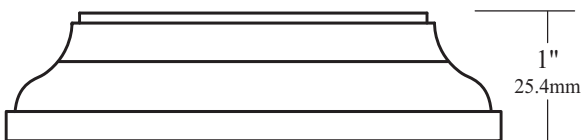
Dimensions and tolerances contained on drawings and figures are for reference only and may not encompass total allowable and approved dimensional variations.



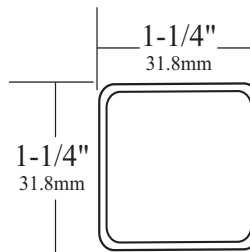
Standard Stair Mounting Bracket



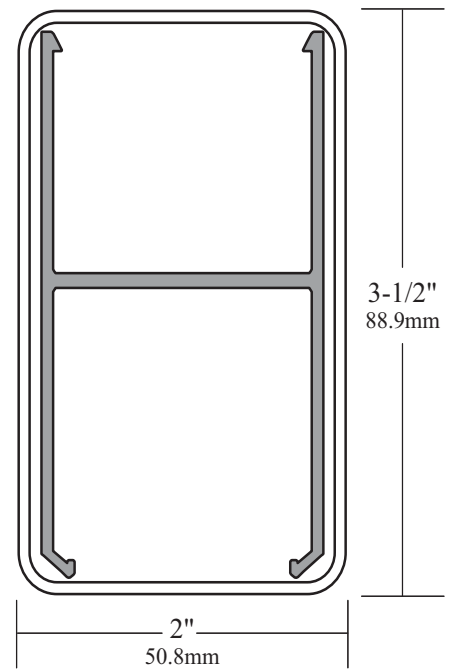
Standard Stair Mounting Bracket
(Top View)



1-1/4" x 1-1/4"
Turned Baluster

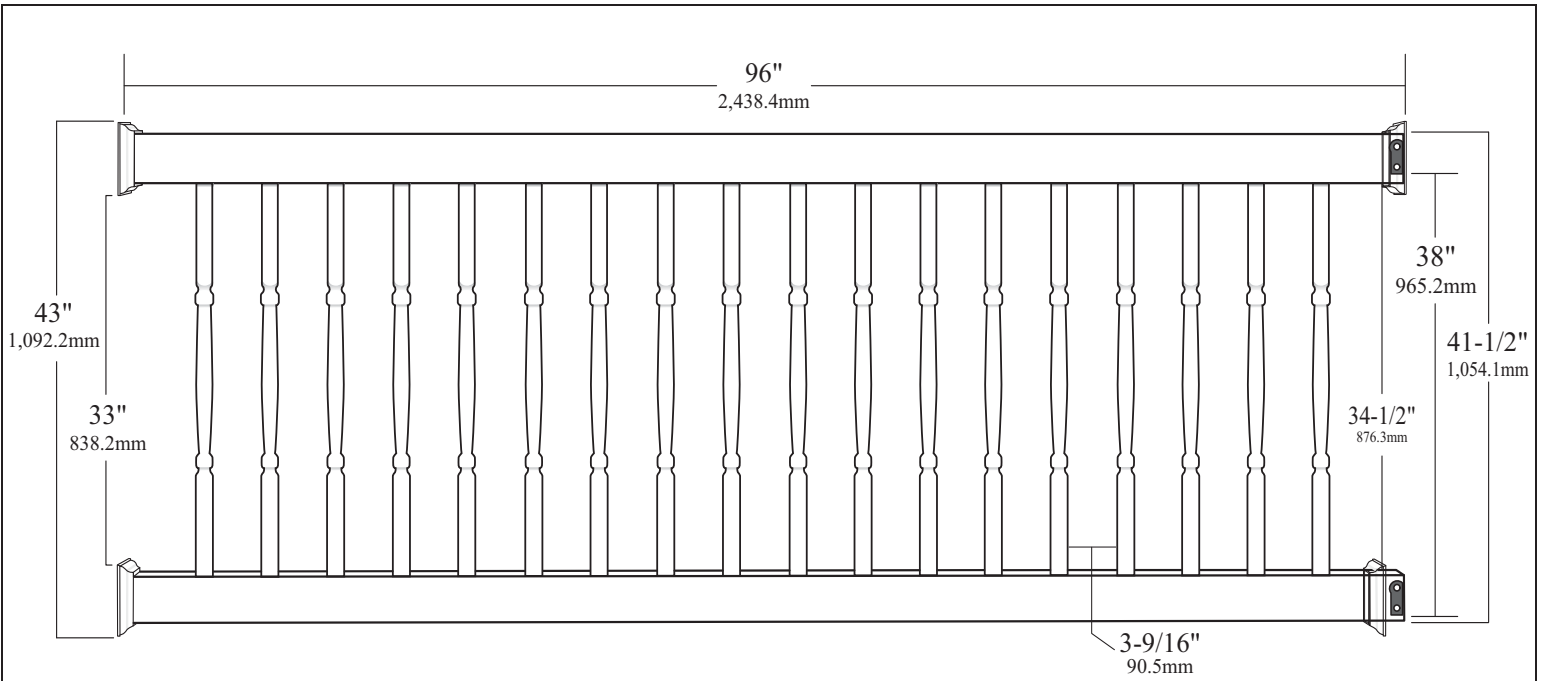


Standard 2" x 3-1/2" Rail
(Top & Bottom Rails)

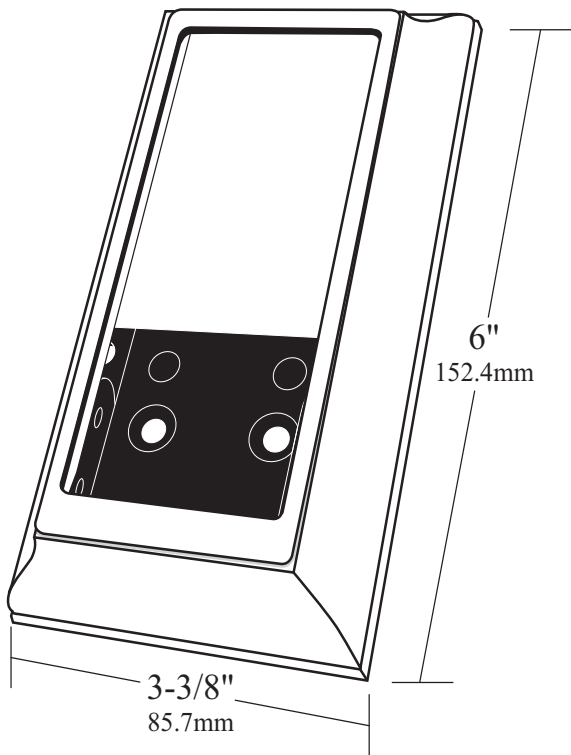


DOCUMENT TITLE:				6' Stair Standard w/Turned Balusters - 42" height (36°-41°)			
This drawing is the property of Fairway Vinyl Systems. Any hard copy of this drawing may not be current. This document and/or images contained within may not be reproduced in publication format without express written consent of Fairway Vinyl Systems. Drawings may not be to scale.				FAIRWAY VINYL SYSTEMS			
P.O. Box 37 Mount Joy, Pa 17552				REF# VR 403004B P1			
SCALE	SHEETS	DRAWN BY	DATE	REV			
	1 of 1	FVS					7-11-08

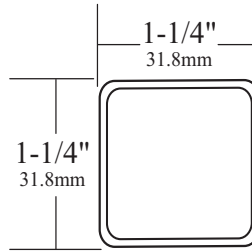
Dimensions and tolerances contained on drawings and figures are for reference only and may not encompass total allowable and approved dimensional variations.



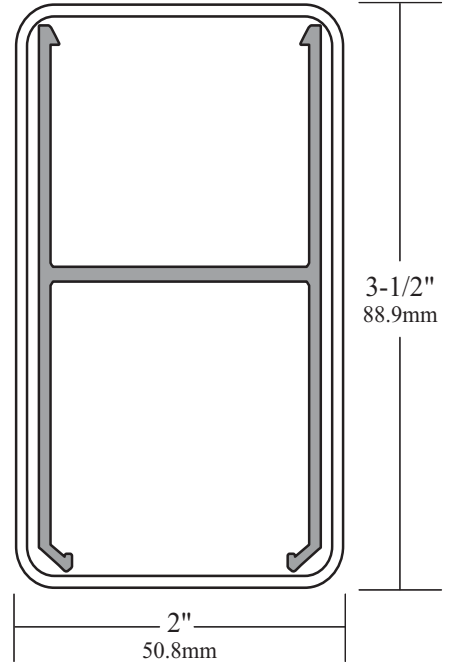
Standard Stair Mounting Bracket



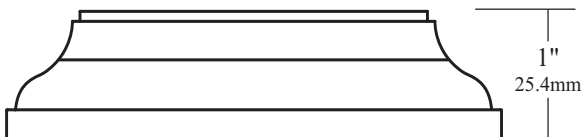
1-1/4" x 1-1/4"
Turned Baluster



Standard 2" x 3-1/2" Rail
(Top & Bottom Rails)

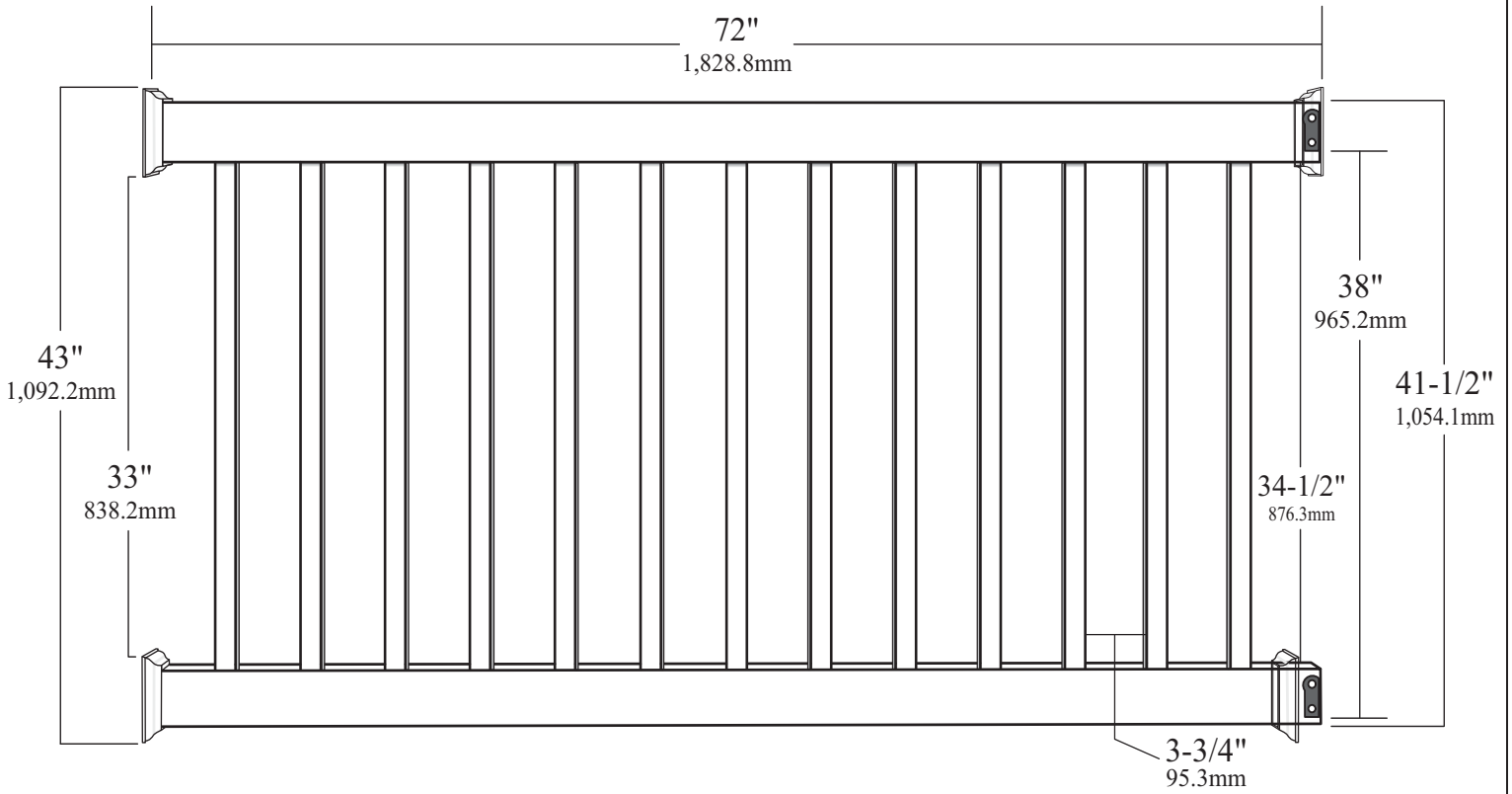


Standard Stair Mounting Bracket
(Top View)

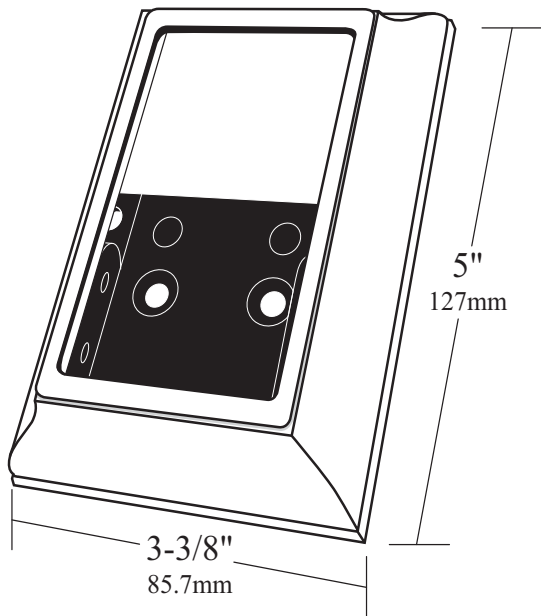


DOCUMENT TITLE:				8' Stair Standard w/Turned Balusters - 42" height (36°-41°)			
This drawing is the property of Fairway Vinyl Systems. Any hard copy of this drawing may not be current. This document and/or images contained within may not be reproduced in publication format without express written consent of Fairway Vinyl Systems. Drawings may not be to scale.				FAIRWAY VINYL SYSTEMS			
P.O. Box 37 Mount Joy, Pa 17552				REF# VR 403004B P1			
SCALE	SHEETS	DRAWN BY	DATE	REV			
	1 of 1	FVS					7-11-08

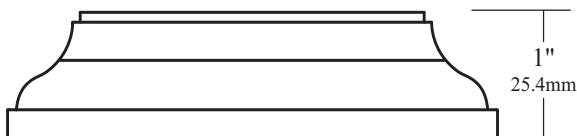
Dimensions and tolerances contained on drawings and figures are for reference only and may not encompass total allowable and approved dimensional variations.



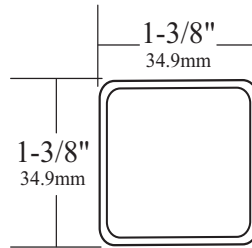
Standard Level Mounting Bracket



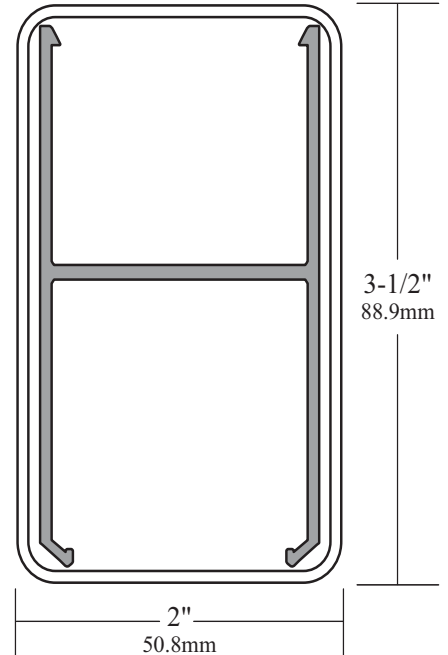
Standard Level Mounting Bracket
(Top View)



1-3/8" x 1-3/8"
Square Baluster

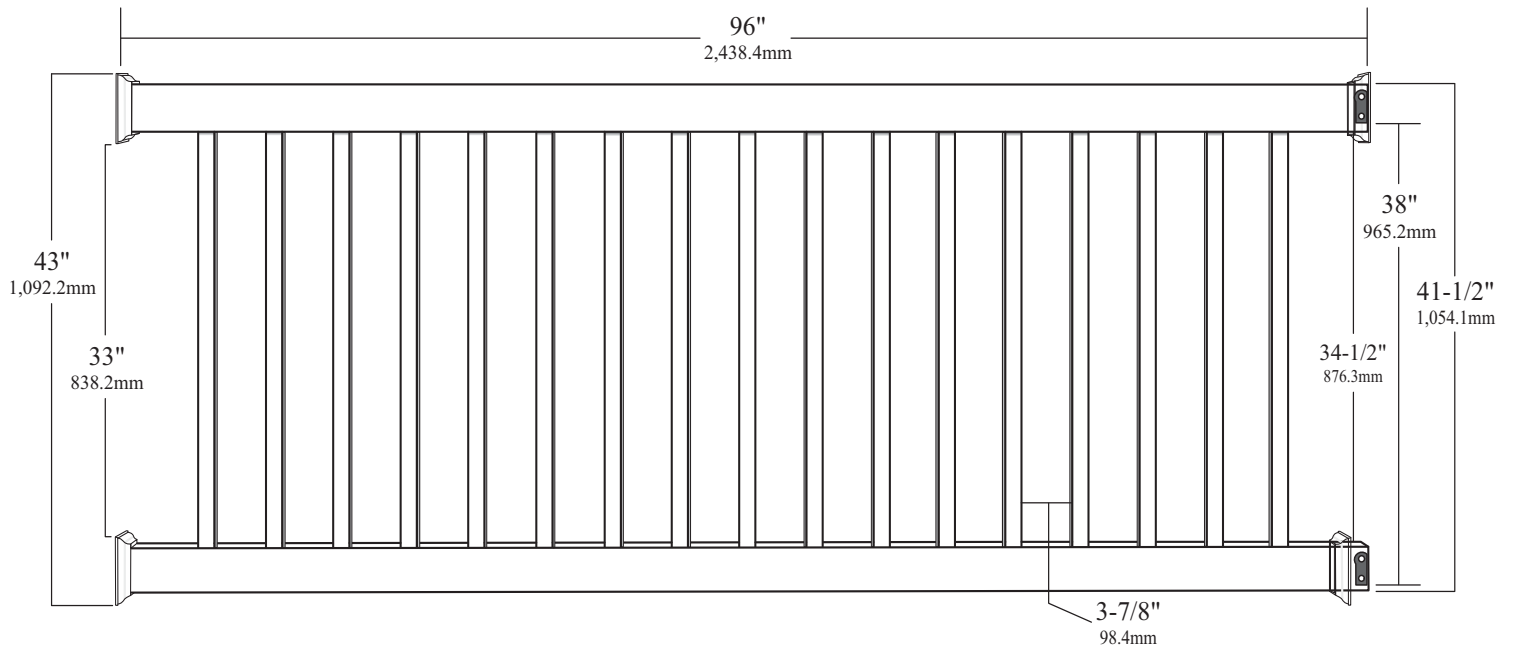


Standard 2" x 3-1/2" Rail
(Top & Bottom Rails)

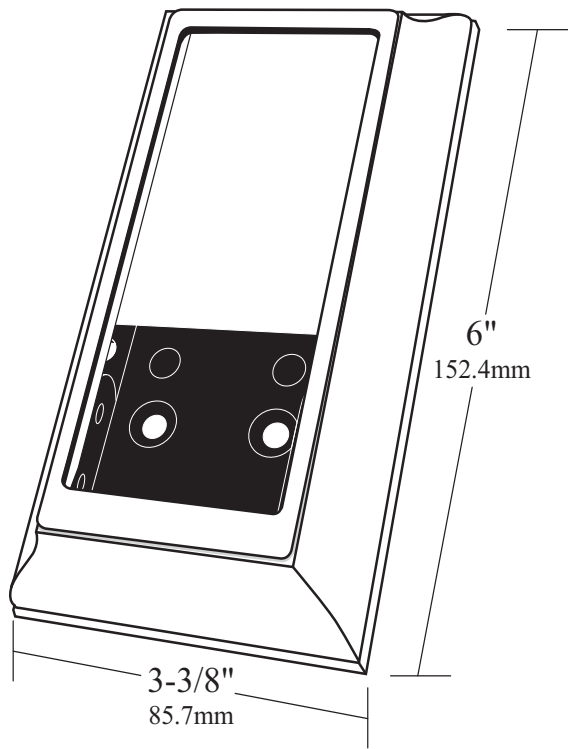


DOCUMENT TITLE:				6' Level Standard w/Square Balusters - 42" height			
This drawing is the property of Fairway Vinyl Systems. Any hard copy of this drawing may not be current. This document and or images contained within may not be reproduced in publication format without express written consent of Fairway Vinyl Systems. Drawings may not be to scale.				FAIRWAY VINYL SYSTEMS			
P.O. Box 37 Mount Joy, Pa 17552				REF# VR 403000 P1			
SCALE	SHEETS	1 of 1	DRAWN BY	DATE	REV	1	
			EVS			8-1-08	

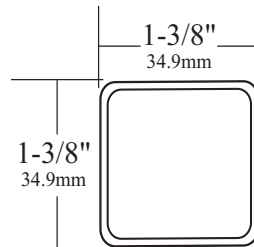
Dimensions and tolerances contained on drawings and figures are for reference only and may not encompass total allowable and approved dimensional variations.



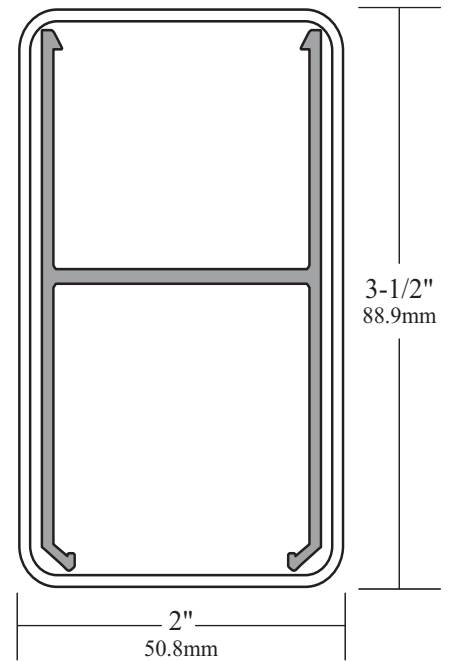
Standard Stair Mounting Bracket



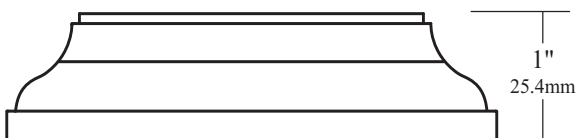
1-3/8" x 1-3/8"
Square Baluster



Standard 2" x 3-1/2" Rail
(Top & Bottom Rails)

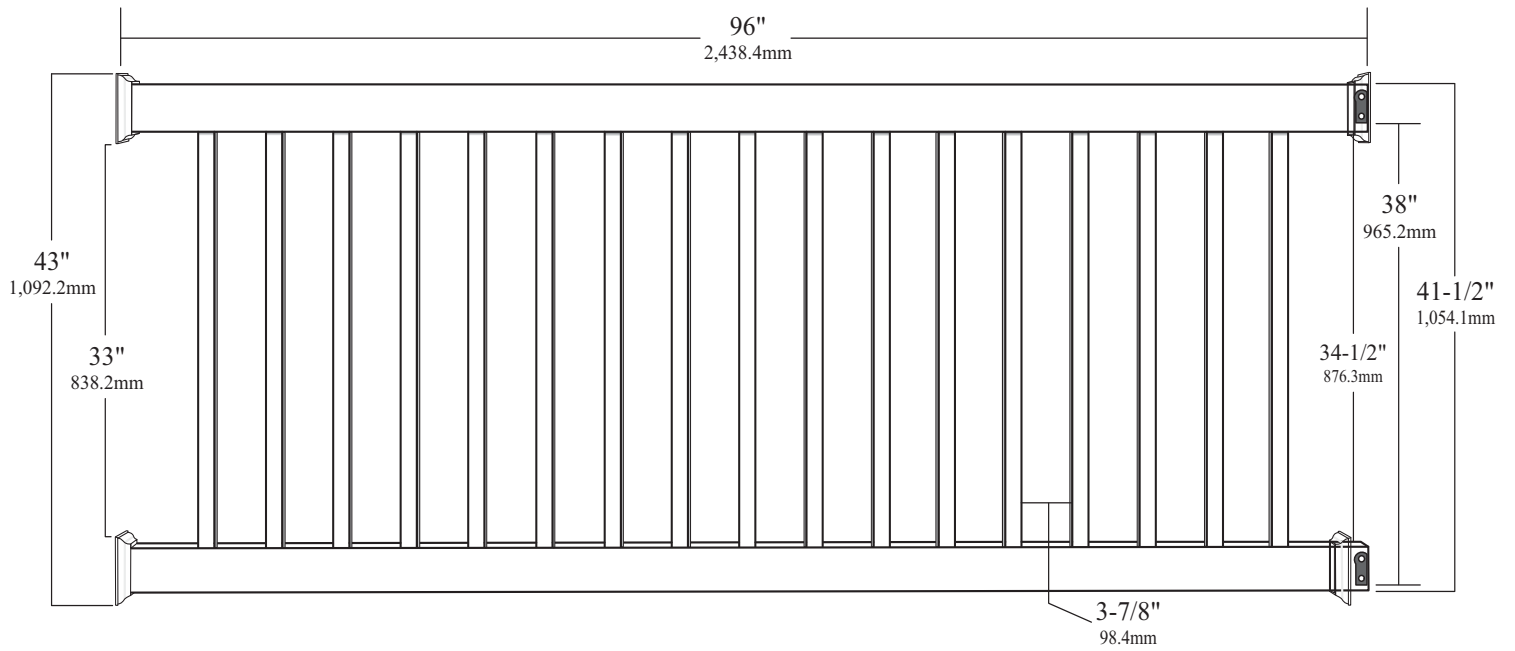


Standard Stair Mounting Bracket
(Top View)

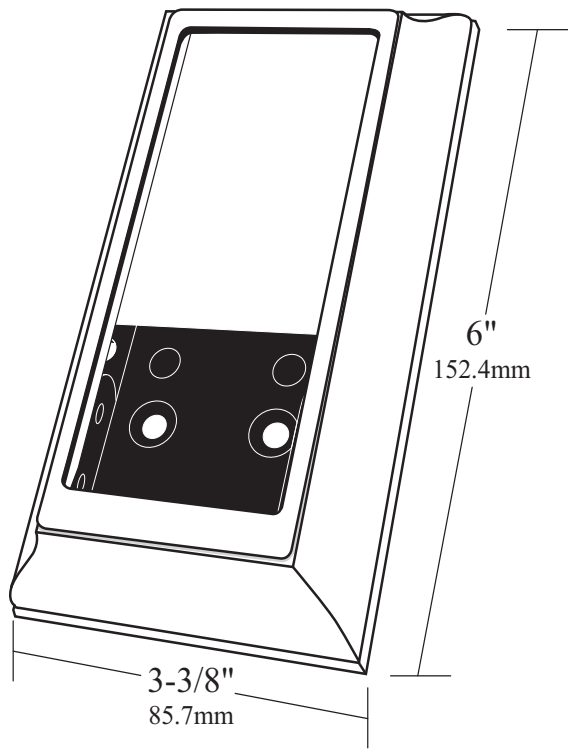


DOCUMENT TITLE:				8' Stair Standard w/Square Balusters - 42" height (36°-41°)			
This drawing is the property of Fairway Vinyl Systems. Any hard copy of this drawing may not be current. This document and/or images contained within may not be reproduced in publication format without express written consent of Fairway Vinyl Systems. Drawings may not be to scale.				FAIRWAY VINYL SYSTEMS			
P.O. Box 37 Mount Joy, Pa 17552				UCM REF#		REV	
				VR 403009A P1		1	
SCALE	SHEETS	DRAWN BY	DATE				
	1 of 1	FVS		8-1-08			

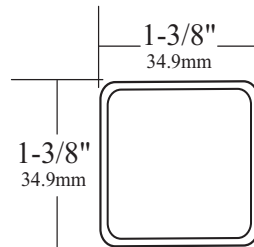
Dimensions and tolerances contained on drawings and figures are for reference only and may not encompass total allowable and approved dimensional variations.



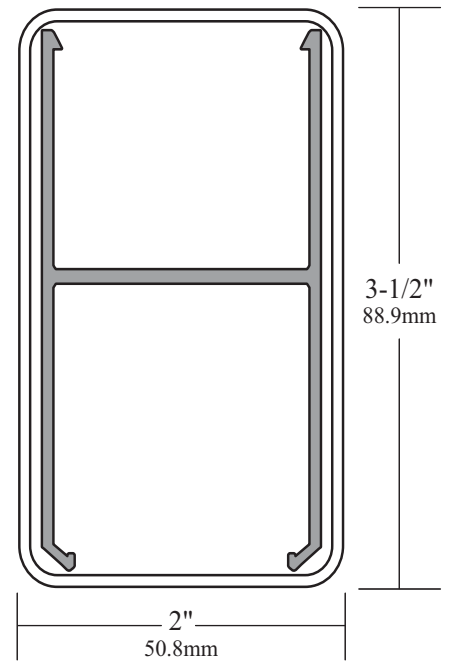
Standard Stair Mounting Bracket



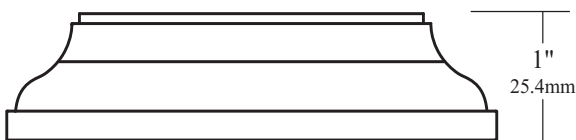
1-3/8" x 1-3/8"
Square Baluster



Standard 2" x 3-1/2" Rail
(Top & Bottom Rails)

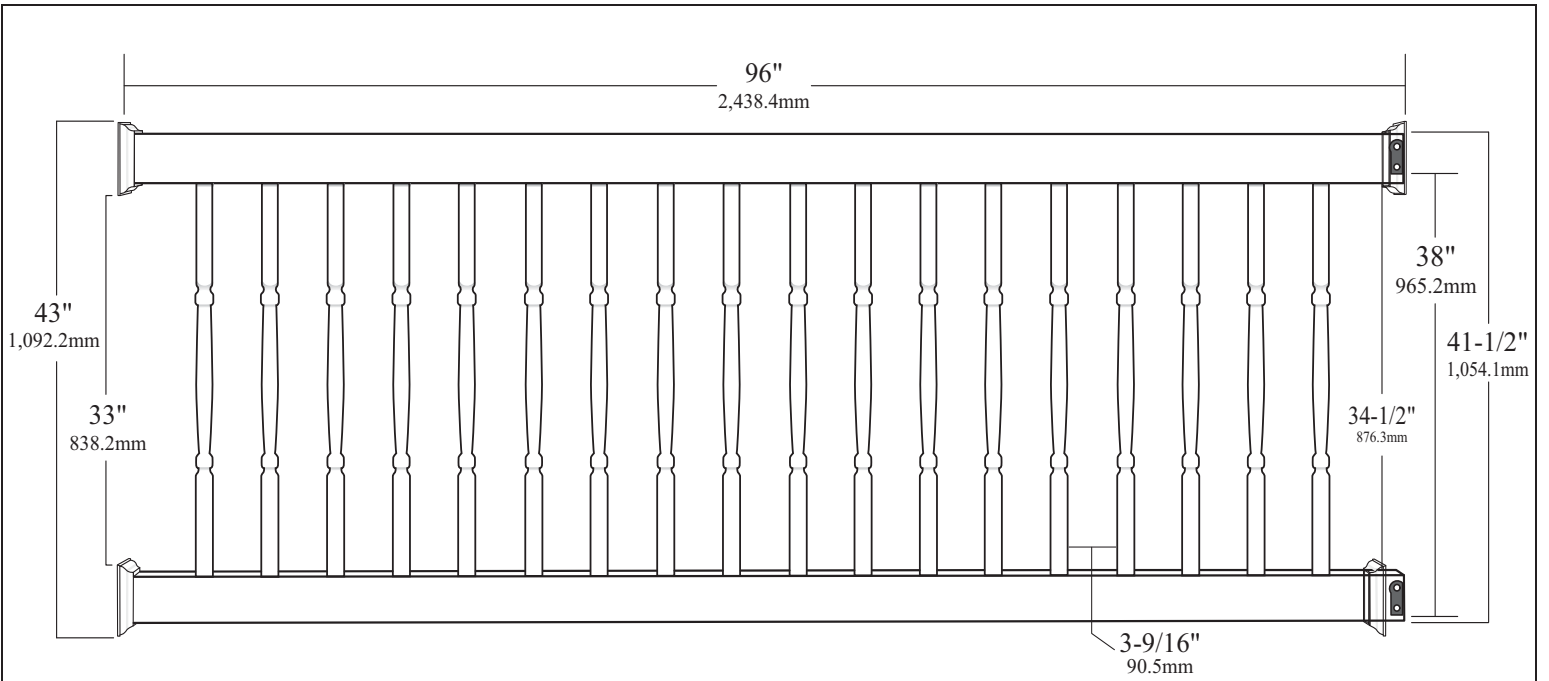


Standard Stair Mounting Bracket
(Top View)

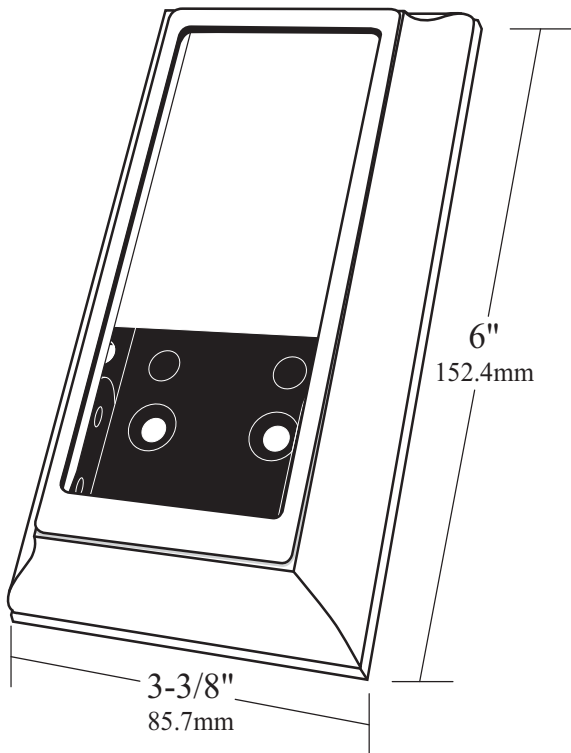


DOCUMENT TITLE:				8' Stair Standard w/Square Balusters - 42" height (29°-35°)			
This drawing is the property of Fairway Vinyl Systems. Any hard copy of this drawing may not be current. This document and or images contained within may not be reproduced in publication format without express written consent of Fairway Vinyl Systems. Drawings may not be to scale.				FAIRWAY VINYL SYSTEMS			
P.O. Box 37 Mount Joy, Pa 17552				REF# VR 403016 P1			
SCALE	SHEETS	1 of 1	DRAWN BY	DATE	REV	1	
			EVS			8-1-08	

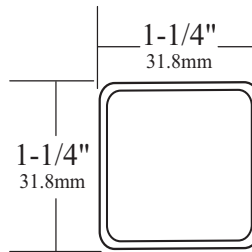
Dimensions and tolerances contained on drawings and figures are for reference only and may not encompass total allowable and approved dimensional variations.



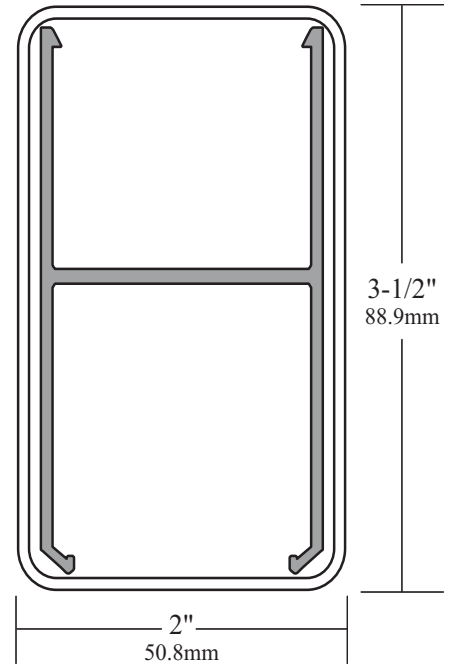
Standard Stair Mounting Bracket



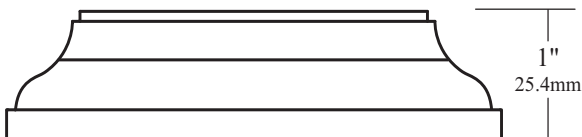
1-1/4" x 1-1/4"
Turned Baluster



Standard 2" x 3-1/2" Rail
(Top & Bottom Rails)

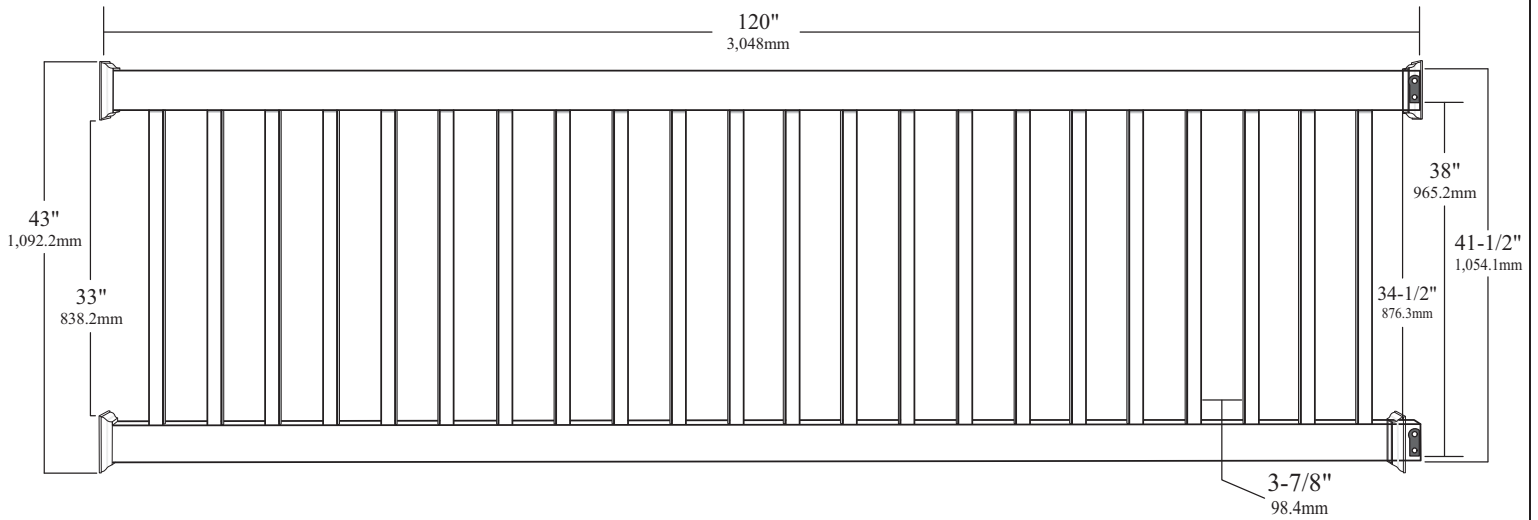


Standard Stair Mounting Bracket
(Top View)

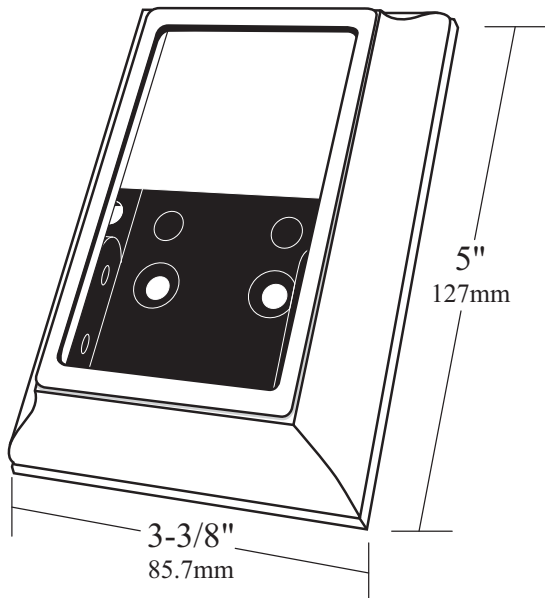


DOCUMENT TITLE:		8' Stair Standard w/Turned Balusters - 42" height (29°-35°)			
This drawing is the property of Fairway Vinyl Systems. Any hard copy of this drawing may not be current. This document and or images contained within may not be reproduced in publication format without express written consent of Fairway Vinyl Systems. Drawings may not be to scale.		FAIRWAY VINYL SYSTEMS			
P.O. Box 37 Mount Joy, Pa 17552		UOM	REF#	REV	
		inch/mm	VR 403004B P1		
SCALE	SHEETS	DRAWN BY	DATE	REV	
	1 of 1	FVS		7-11-08	

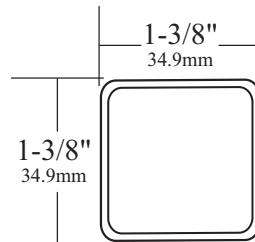
Dimensions and tolerances contained on drawings and figures are for reference only and may not encompass total allowable and approved dimensional variations.



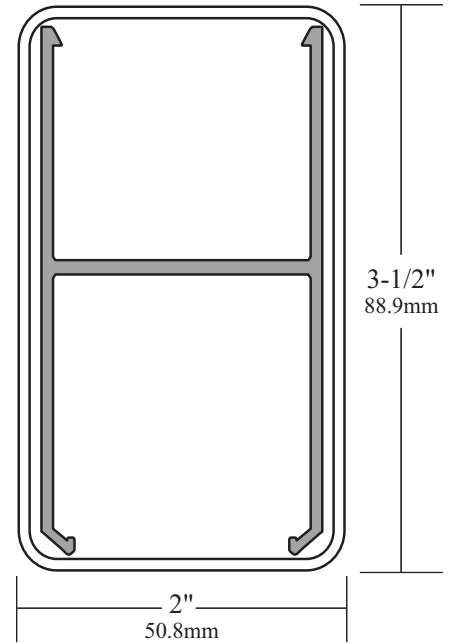
Standard Level Mounting Bracket



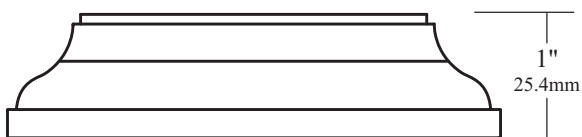
1-3/8" x 1-3/8"
Square Baluster



Standard 2" x 3-1/2" Rail
(Top & Bottom Rails)

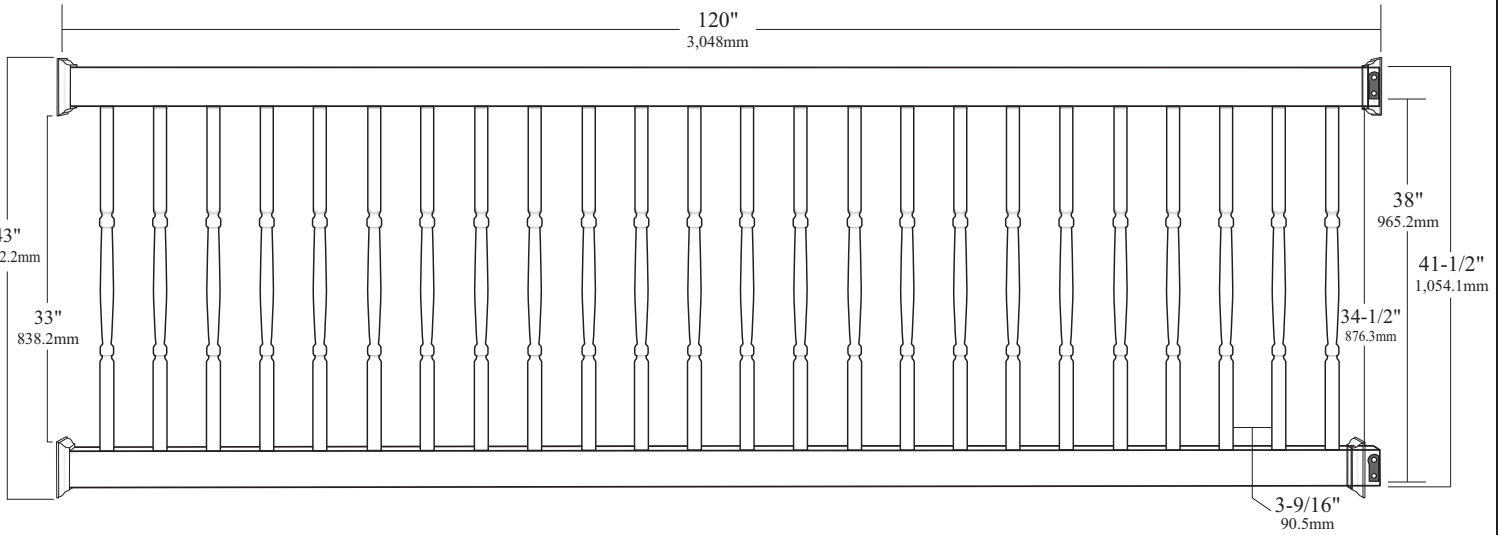


Standard Level Mounting Bracket
(Top View)

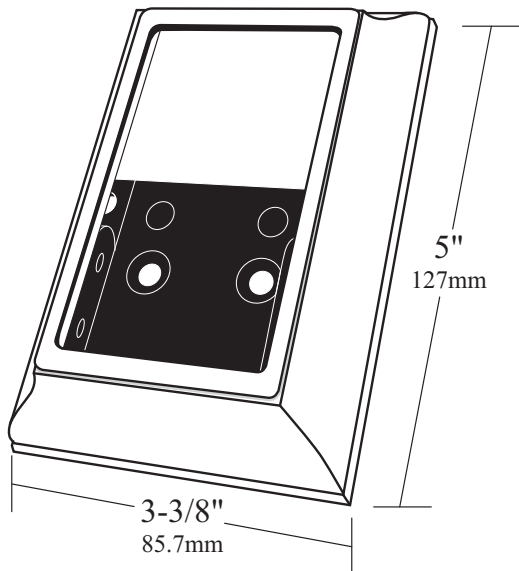


DOCUMENT TITLE:			
10' Level Standard w/Square Balusters - 42" height			
This drawing is the property of Fairway Vinyl Systems. Any hard copy of this drawing may not be current. This document and or images contained within may not be reproduced in publication format without express written consent of Fairway Vinyl Systems. Drawings may not be to scale.			
FAIRWAY VINYL SYSTEMS			
P.O. Box 37 Mount Joy, Pa 17552			
UOM inch/mm	REF#	VR 403030 P1	REV 1
SCALE	SHEETS	1 of 1	DRAWN BY EVS
			DATE 7-15-08

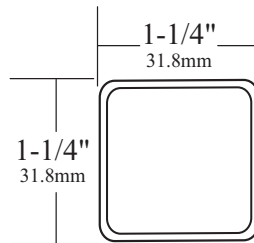
Dimensions and tolerances contained on drawings and figures are for reference only and may not encompass total allowable and approved dimensional variations.



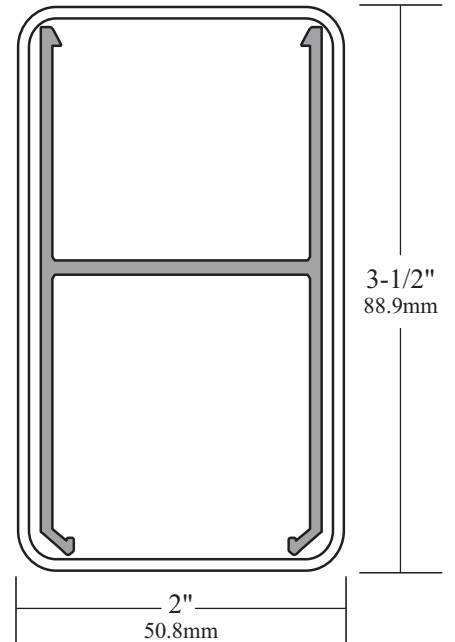
Standard Level Mounting Bracket



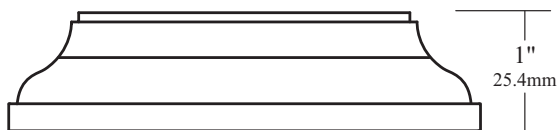
1-1/4" x 1-1/4" Turned Baluster



Standard 2" x 3-1/2" Rail (Top & Bottom Rails)

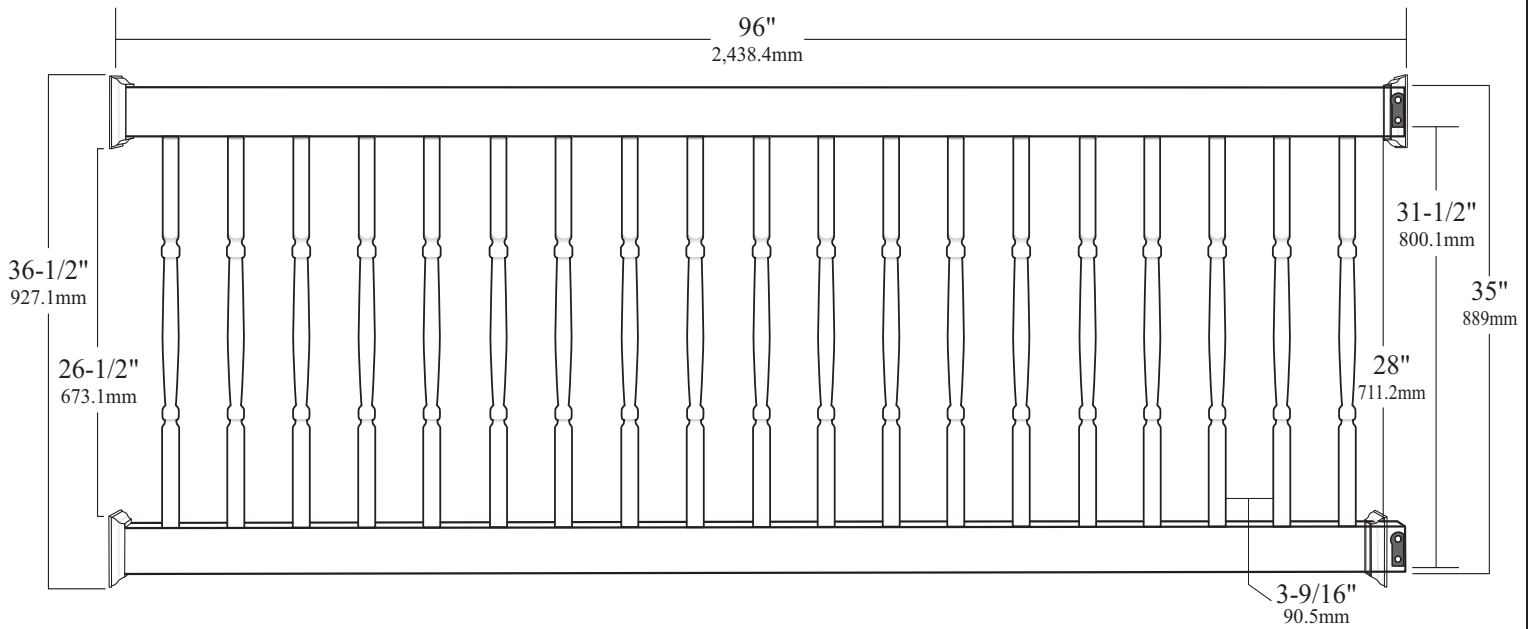


Standard Level Mounting Bracket (Top View)

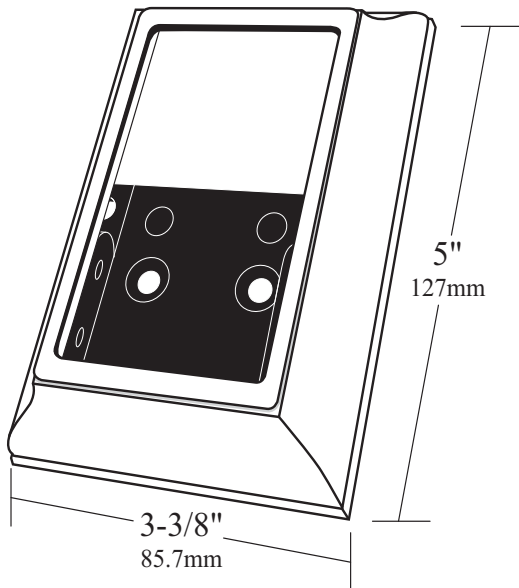


Dimensions and tolerances contained on drawings and figures are for reference only and may not encompass total allowable and approved dimensional variations.

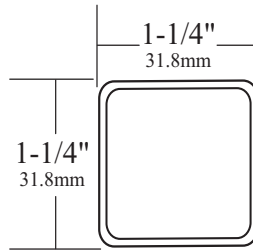
DOCUMENT TITLE:				10' Level Standard w/Turned Balusters - 42" height			
This drawing is the property of Fairway Vinyl Systems. Any hard copy of this drawing may not be current. This document and or images contained within may not be reproduced in publication format without express written consent of Fairway Vinyl Systems. Drawings may not be to scale.				FAIRWAY VINYL SYSTEMS			
P.O. Box 37 Mount Joy, Pa 17552				UOM REF#		REV	
				inches VR 403032 P1		1	
SCALE	SHEETS	DRAWN BY	DATE				
	1 of 1	EVS	7-15-08				



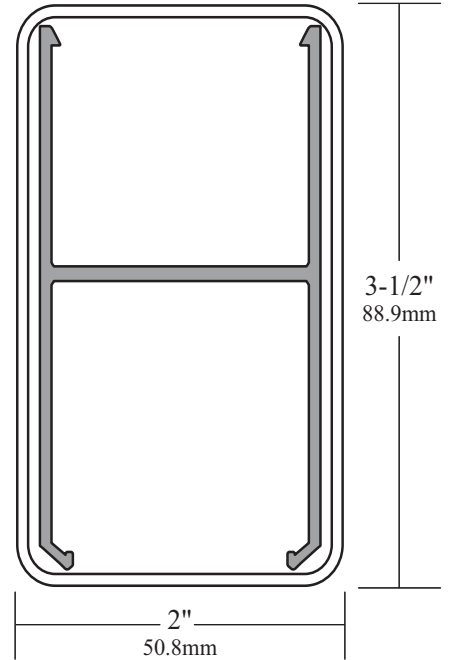
Standard Level Mounting Bracket



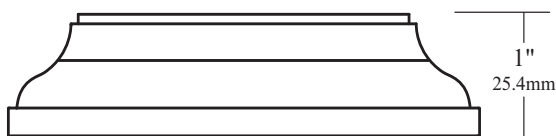
1-1/4" x 1-1/4" Turned Baluster



Standard 2" x 3-1/2" Rail (Top & Bottom Rails)

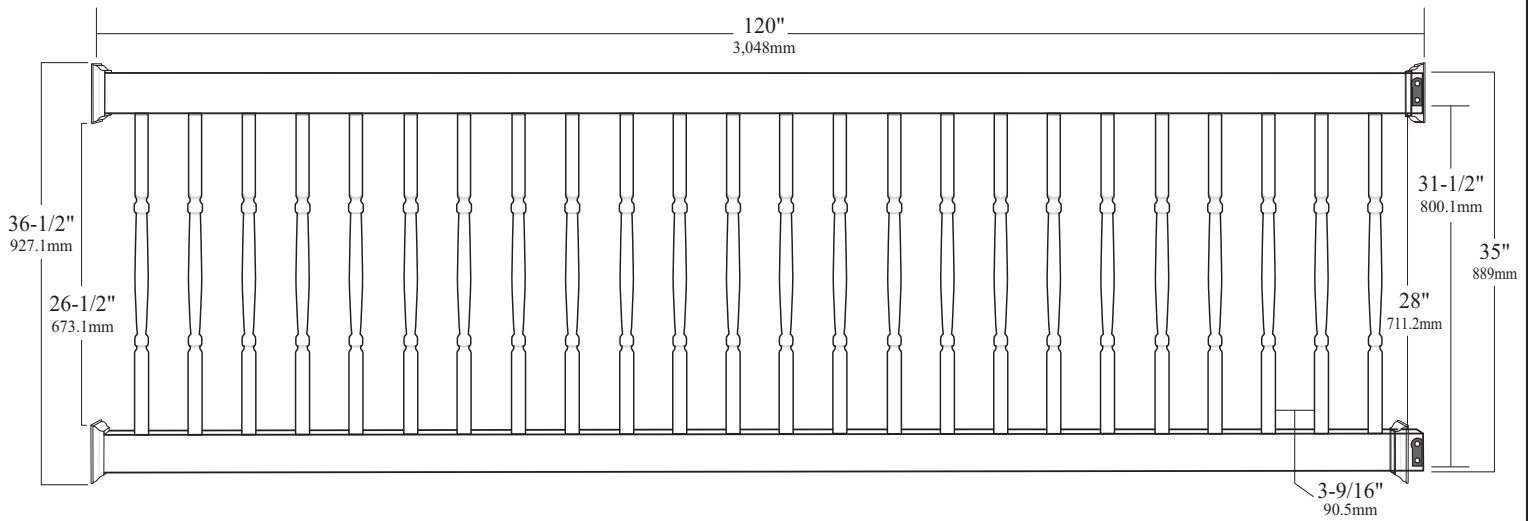


Standard Level Mounting Bracket (Top View)

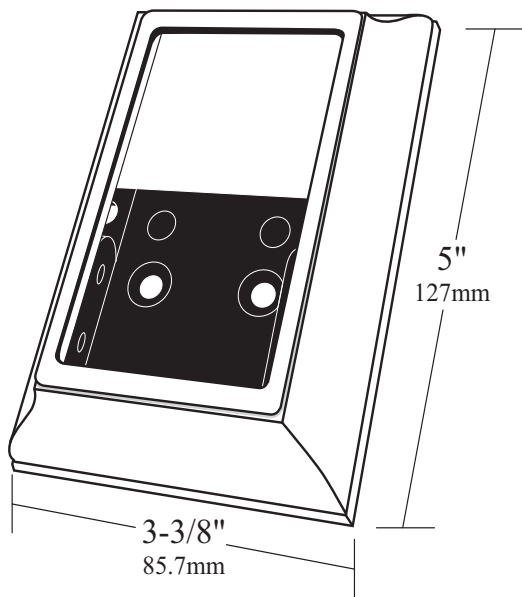


DOCUMENT TITLE:				8' Level Standard w/Turned Balusters - 36" height			
This drawing is the property of Fairway Vinyl Systems. Any hard copy of this drawing may not be current. This document and/or images contained within may not be reproduced in publication format without express written consent of Fairway Vinyl Systems. Drawings may not be to scale.				FAIRWAY VINYL SYSTEMS			
P.O. Box 37 Mount Joy, Pa 17552				UOM REF#		REV	
				inches VR 401012 P1		1	
SCALE:	SHEET#	DRAWN BY:	DATE:				
1 of 1		EVS	7-11-08				

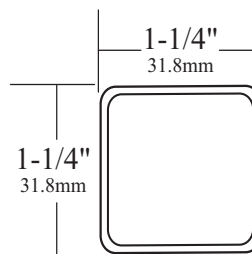
Dimensions and tolerances contained on drawings and figures are for reference only and may not encompass total allowable and approved dimensional variations.



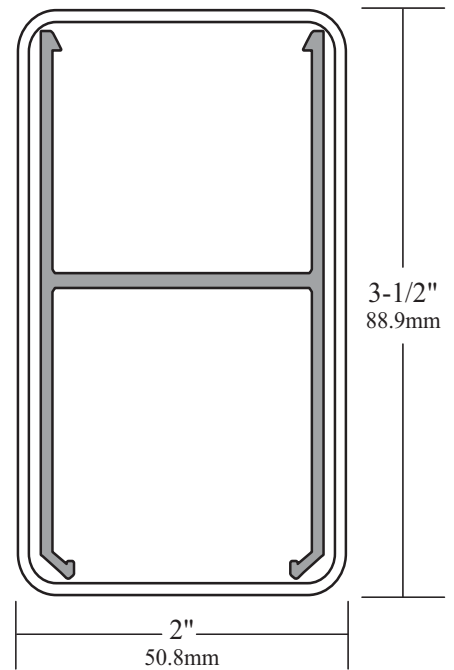
Standard Level Mounting Bracket



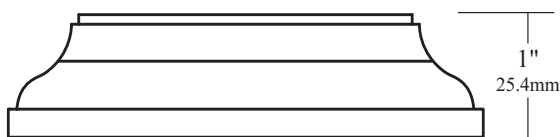
1-1/4" x 1-1/4"
Turned Baluster



Standard 2" x 3-1/2" Rail
(Top & Bottom Rails)

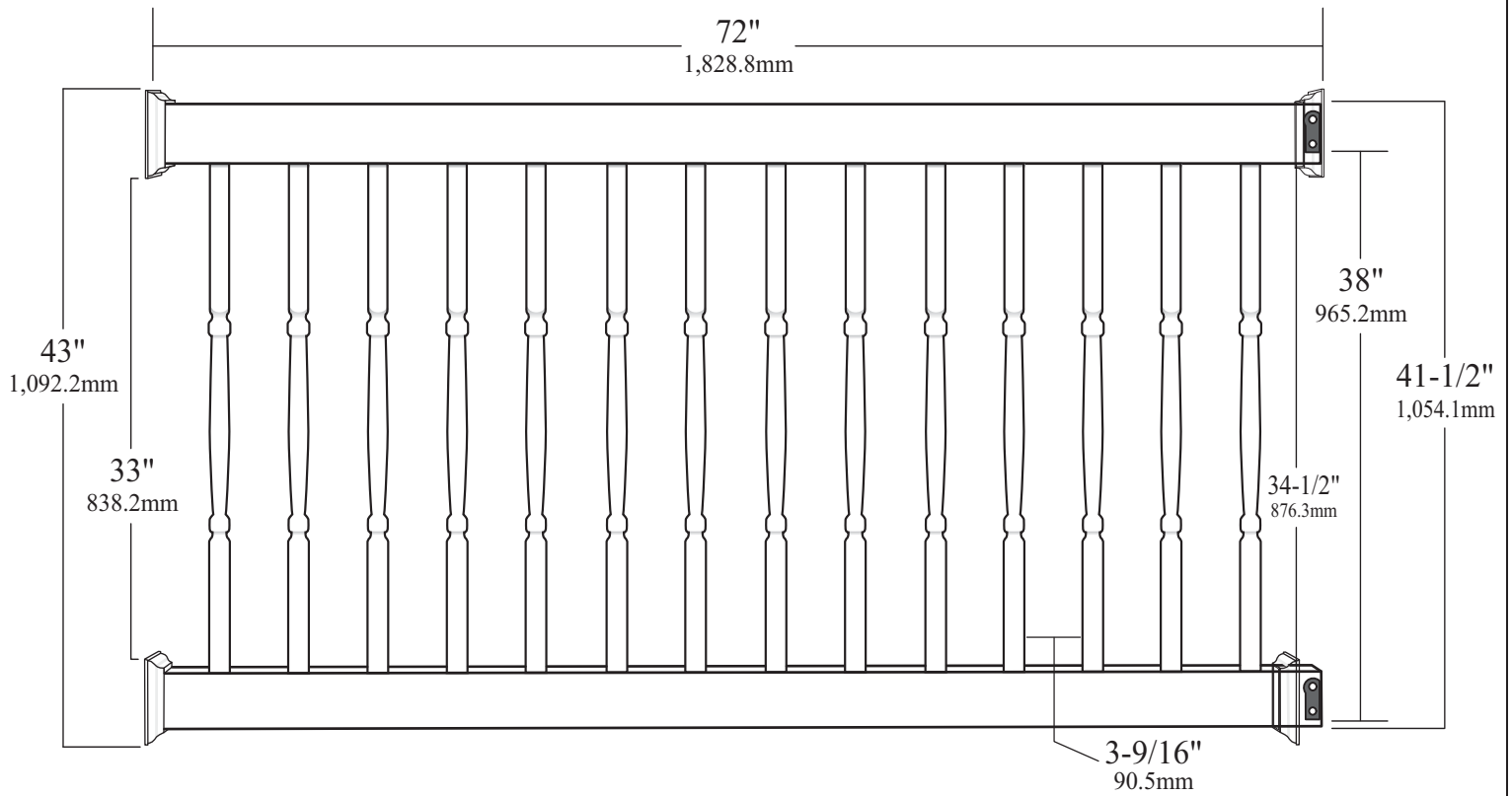


Standard Level Mounting Bracket
(Top View)

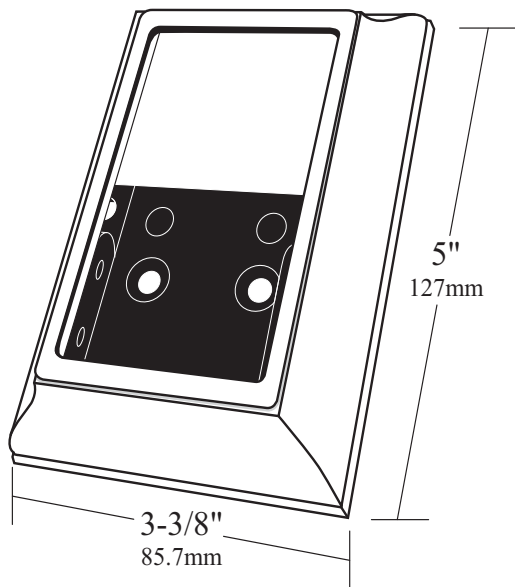


DOCUMENT TITLE:				10' Level Standard w/Turned Balusters - 36" height			
This drawing is the property of Fairway Vinyl Systems. Any hard copy of this drawing may not be current. This document and or images contained within may not be reproduced in publication format without express written consent of Fairway Vinyl Systems. Drawings may not be to scale.				FAIRWAY VINYL SYSTEMS			
P.O. Box 37 Mount Joy, Pa 17552				UOM inch/mm		REF# VR 401032 P1	REV 1
SCALE	SHEET#	DRAWN BY	DATE				
	1 of 1	EVS	7-11-08				

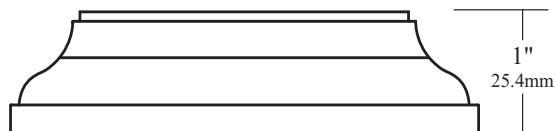
Dimensions and tolerances contained on drawings and figures are for reference only and may not encompass total allowable and approved dimensional variations.



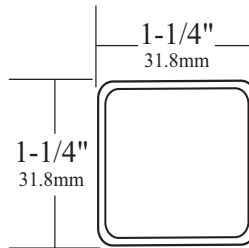
Standard Level Mounting Bracket



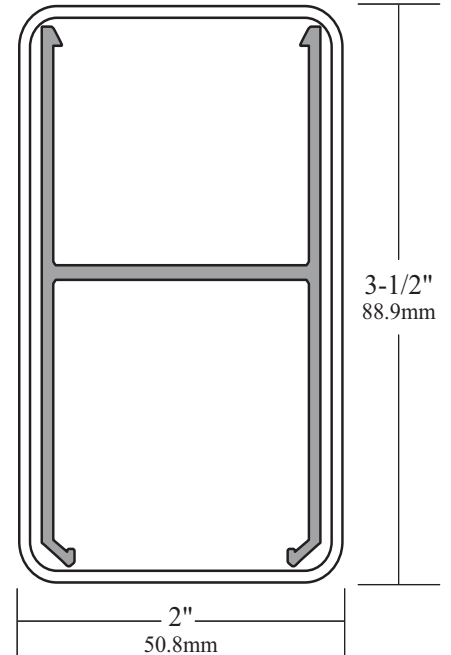
Standard Level Mounting Bracket
(Top View)



1-1/4" x 1-1/4"
Turned Baluster

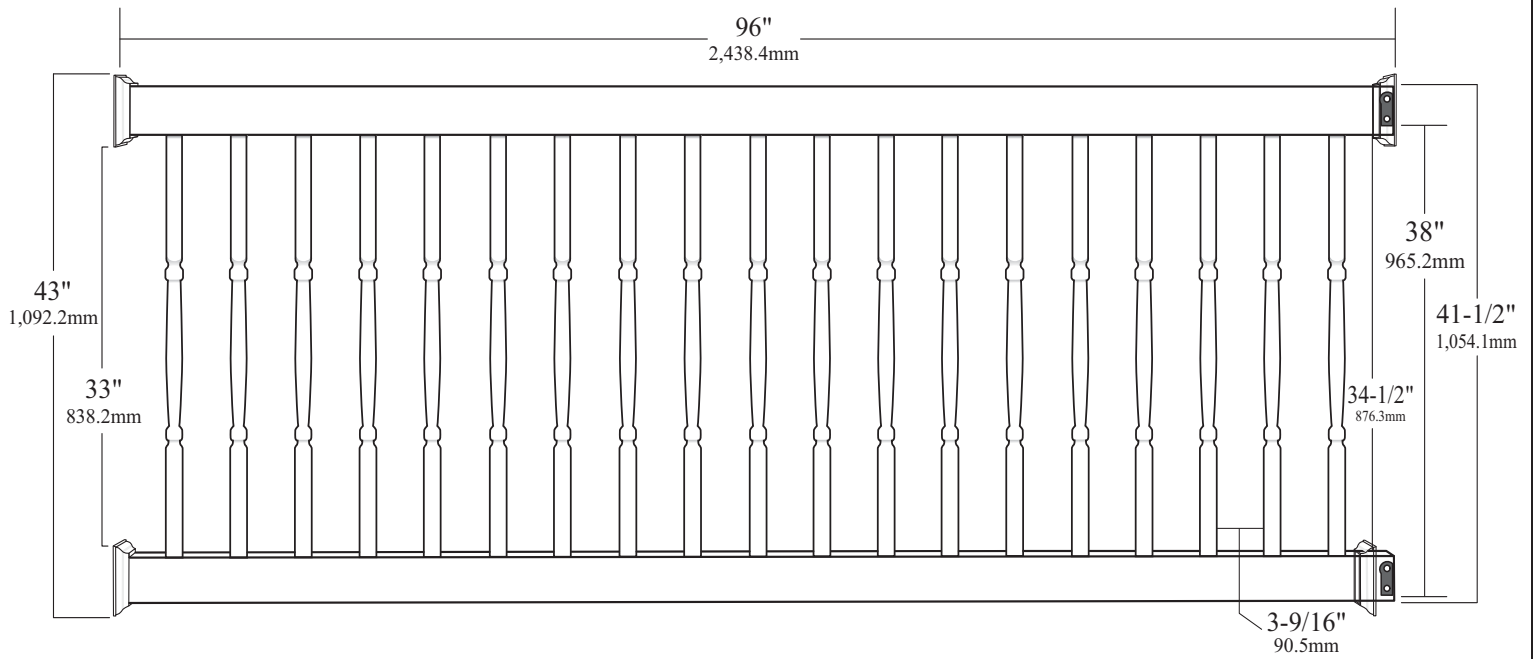


Standard 2" x 3-1/2" Rail
(Top & Bottom Rails)

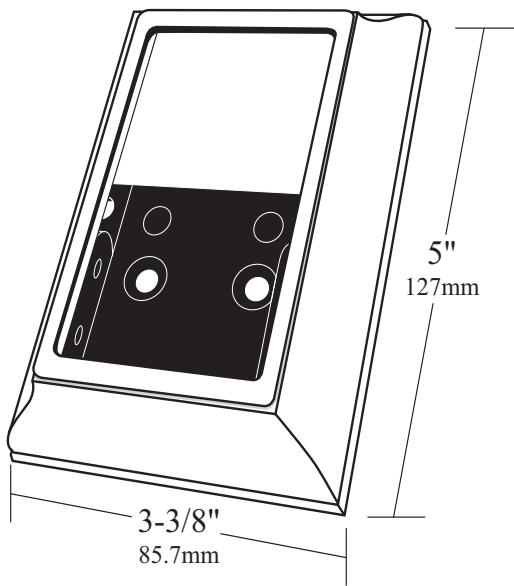


Dimensions and tolerances contained on drawings and figures are for reference only and may not encompass total allowable and approved dimensional variations.

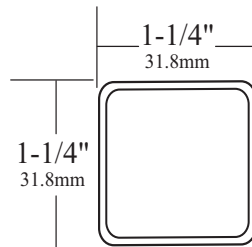
DOCUMENT TITLE:				6' Level Standard w/Turned Balusters - 42" height			
This drawing is the property of Fairway Vinyl Systems. Any hard copy of this drawing may not be current. This document and or images contained within may not be reproduced in publication format without express written consent of Fairway Vinyl Systems. Drawings may not be to scale.				FAIRWAY VINYL SYSTEMS			
P.O. Box 37 Mount Joy, Pa 17552				UCM REF#		REV	
				VR 403004 P1		1	
SCALE	SHEET#	DRAWN BY	DATE				
1 of 1	EVS		7-11-08				



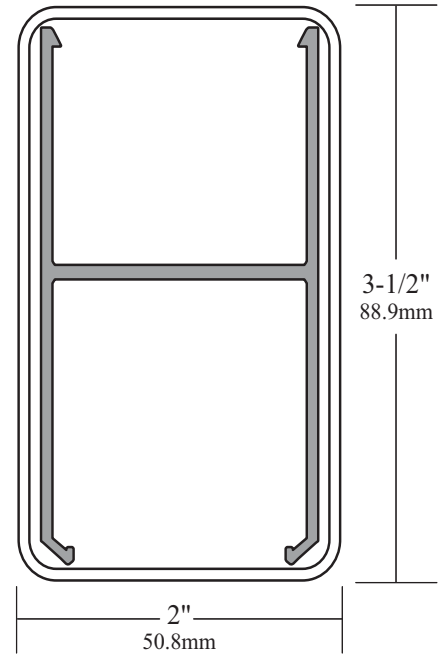
Standard Level Mounting Bracket



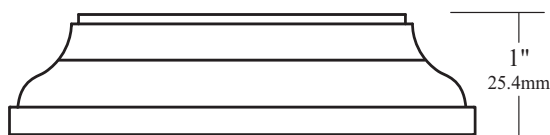
1-1/4" x 1-1/4"
Turned Baluster



Standard 2" x 3-1/2" Rail
(Top & Bottom Rails)



Standard Level Mounting Bracket
(Top View)



Dimensions and tolerances contained on drawings and figures are for reference only and may not encompass total allowable and approved dimensional variations.

DOCUMENT TITLE:				8' Level Standard w/Turned Balusters - 42" height			
This drawing is the property of Fairway Vinyl Systems. Any hard copy of this drawing may not be current. This document and or images contained within may not be reproduced in publication format without express written consent of Fairway Vinyl Systems. Drawings may not be to scale.				FAIRWAY VINYL SYSTEMS			
P.O. Box 37 Mount Joy, Pa 17552				UCM REF#		REV	
				VR 403012 P1		1	
SCALE	SHEET#	DRAWN BY	DATE				
1 of 1	EVS		7-11-08				