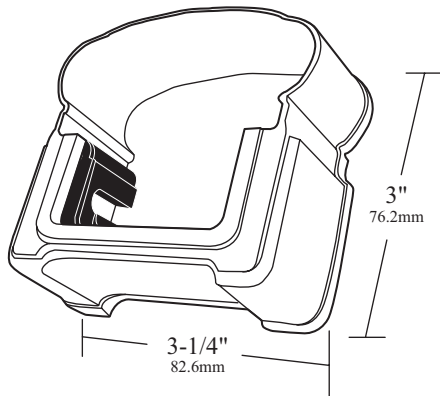
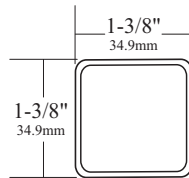


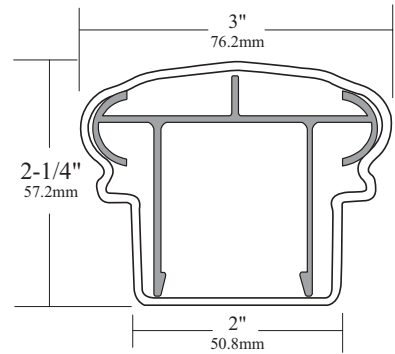
Contour Level Mounting Bracket



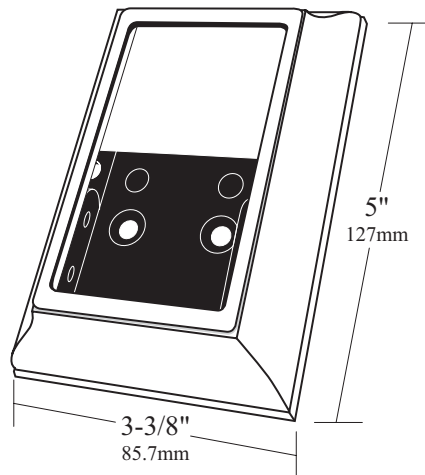
1-3/8" x 1-3/8" Square Baluster



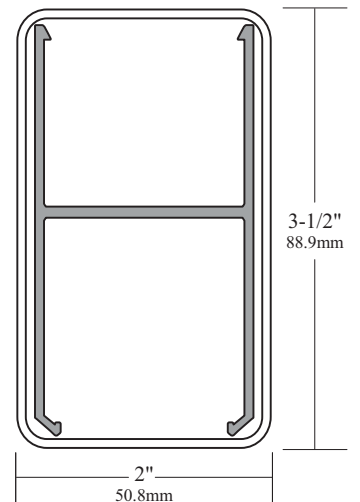
Contour Top Rail W/Aluminum Insert



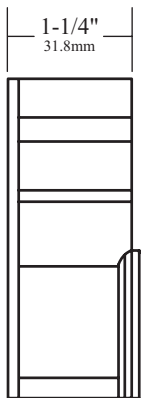
Standard Level Mounting Bracket



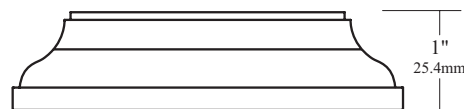
Standard 2" x 3-1/2" Rail (Top & Bottom Rails)



Contour Level Mounting Bracket (Side View)



Standard Level Mounting Bracket (Top View)

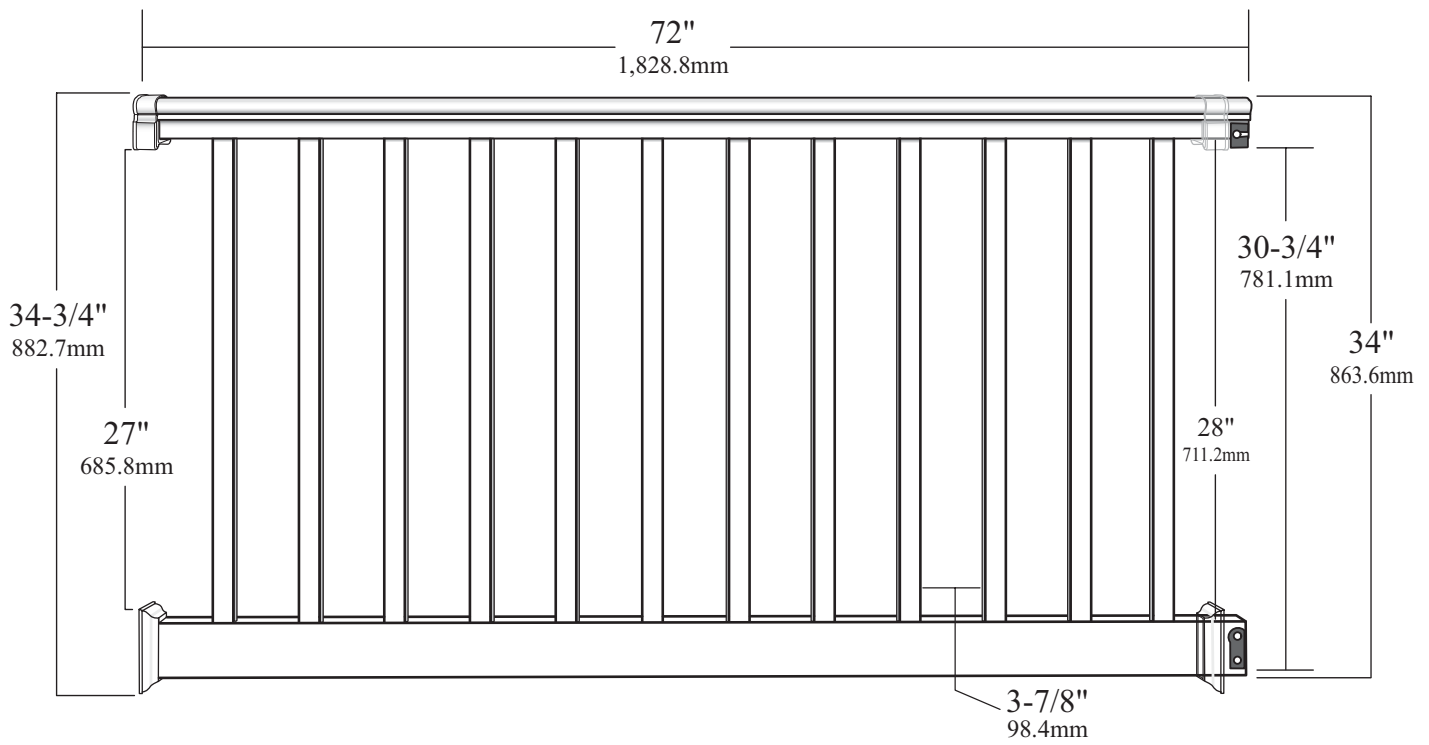


DOCUMENT TITLE: **6' Level Contour w/Square Balusters - 36" height**

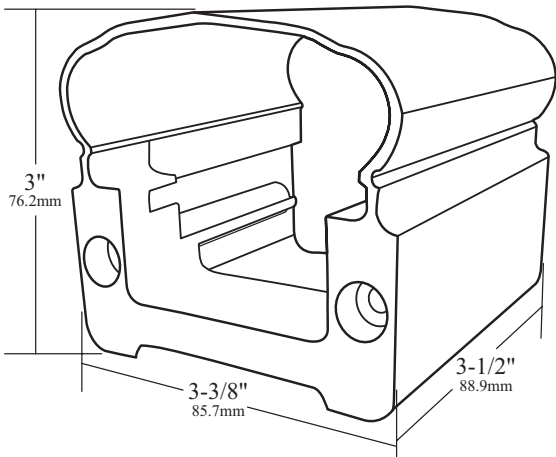
*This drawing is the property of Fairway Vinyl Systems. Any hard copy of this drawing may not be current. This document and or images contained within may not be reproduced in publication format without express written consent of Fairway Vinyl Systems. Drawings may not be to scale.*

<b>FAIRWAY VINYL SYSTEMS</b>			
P.O. Box 37 Mount Joy, Pa 17552			
UCM inch/mm	REF# VR 401003 P1	DATE EVS	REV 1
SCALE	SHEET# 1 of 1	DATE	7-14-08

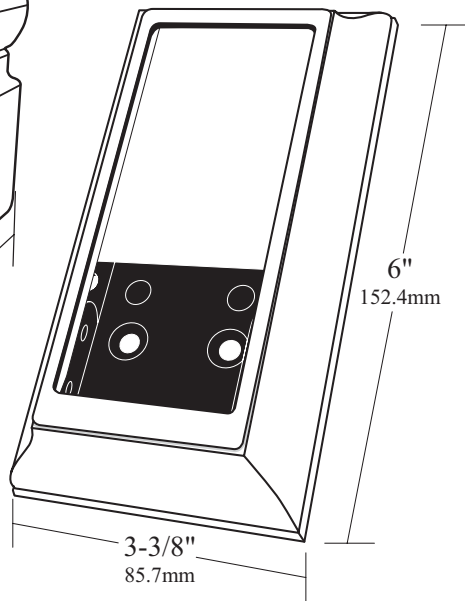
Dimensions and tolerances contained on drawings and figures are for reference only and may not encompass total allowable and approved dimensional variations.



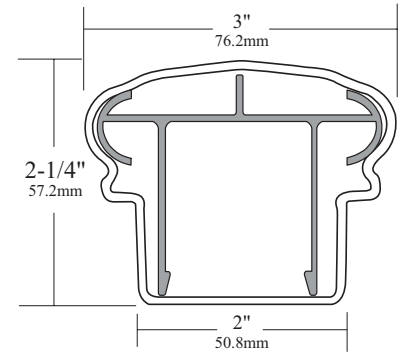
Contour Stair Mounting Bracket



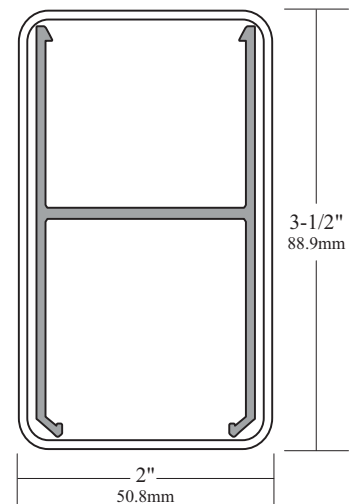
Standard Stair Mounting Bracket



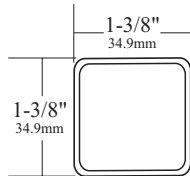
Contour Top Rail  
W/Aluminum Insert



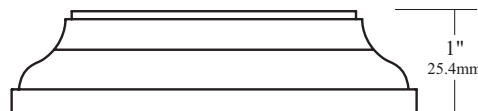
Standard 2" x 3-1/2" Rail  
(Top & Bottom Rails)



1-3/8" x 1-3/8"  
Square Baluster

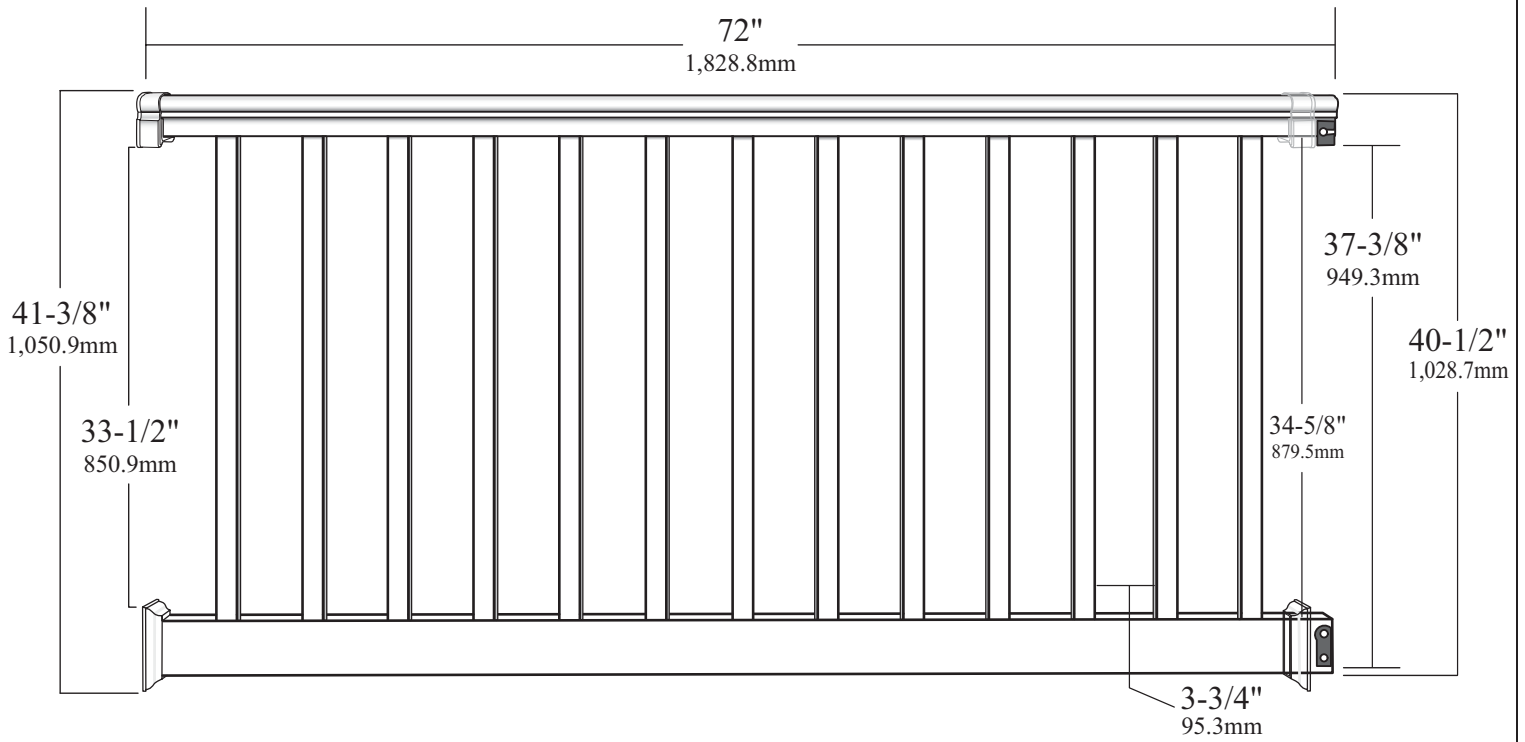


Standard Stair Mounting Bracket  
(Top View)

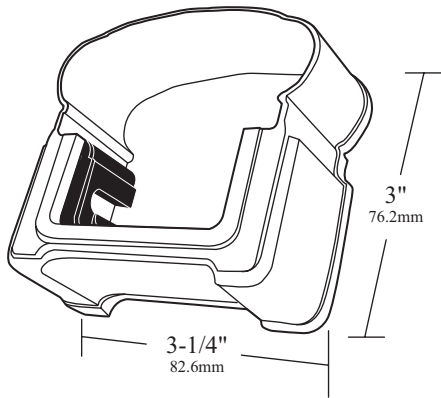


DOCUMENT TITLE:		6' Stair Contour w/Square Balusters - 36" height (29°-35°)			
This drawing is the property of Fairway Vinyl Systems. Any hard copy of this drawing may not be current. This document and/or images contained within may not be reproduced in publication format without express written consent of Fairway Vinyl Systems. Drawings may not be to scale.					
<b>FAIRWAY VINYL SYSTEMS</b>					
P.O. Box 37 Mount Joy, Pa 17552					
UOM inch/mm	REF#	VR 401003A	PI	REV	1
SCALE:	SHEET#	1 of 1	DRAWN BY:	DATE:	7-14-08
			EVS		

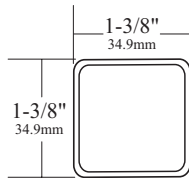
Dimensions and tolerances contained on drawings and figures are for reference only and may not encompass total allowable and approved dimensional variations.



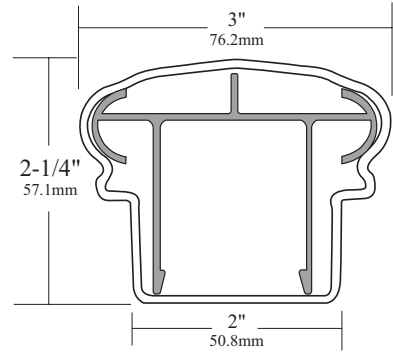
Contour Level Mounting Bracket



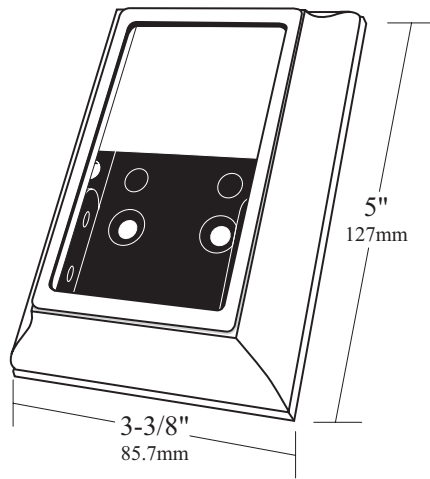
1-3/8" x 1-3/8" Square Baluster



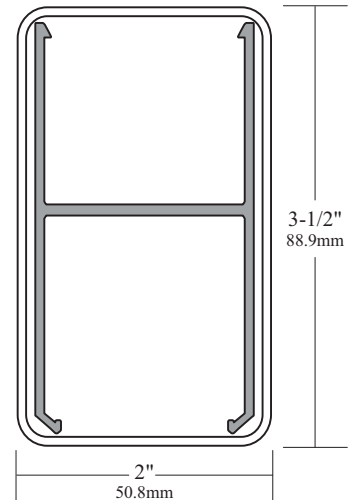
Contour Top Rail W/Aluminum Insert



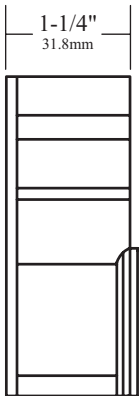
Standard Level Mounting Bracket



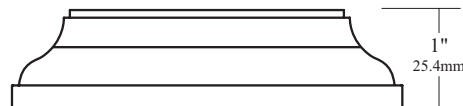
Standard 2" x 3-1/2" Rail (Bottom Rails)



Contour Level Mounting Bracket (Side View)



Standard Level Mounting Bracket (Top View)

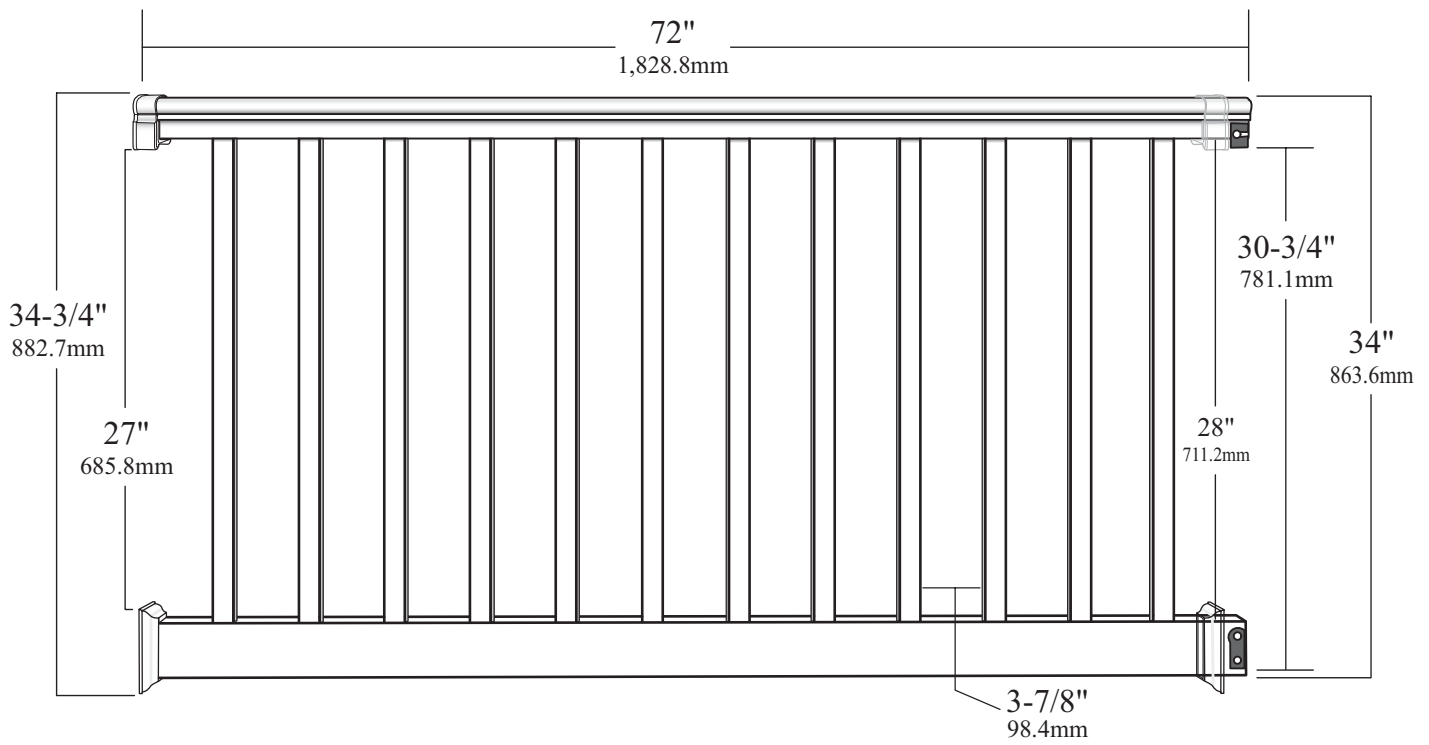


DOCUMENT TITLE: 6' Level Contour w/Square Balusters - 42" height

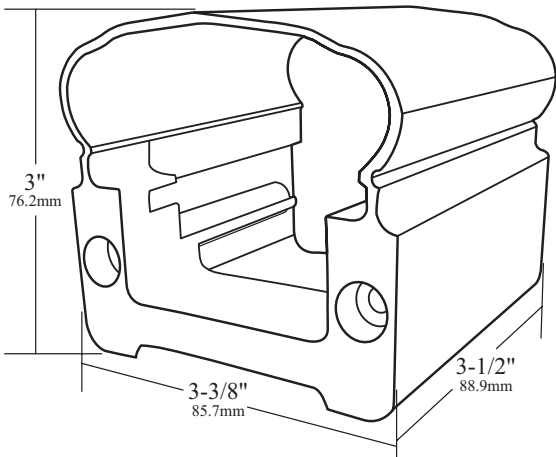
This drawing is the property of Fairway Vinyl Systems. Any hard copy of this drawing may not be current. This document and/or images contained within may not be reproduced in publication format without express written consent of Fairway Vinyl Systems. Drawings may not be to scale.

FAIRWAY VINYL SYSTEMS			
P.O. Box 37 Mount Joy, Pa 17552			
UCM inch/mm	REF#	VR 403003 P1	REV 1
SCALE	SHEET#	DRAWN BY	DATE
	1 of 1	EVS	7-14-08

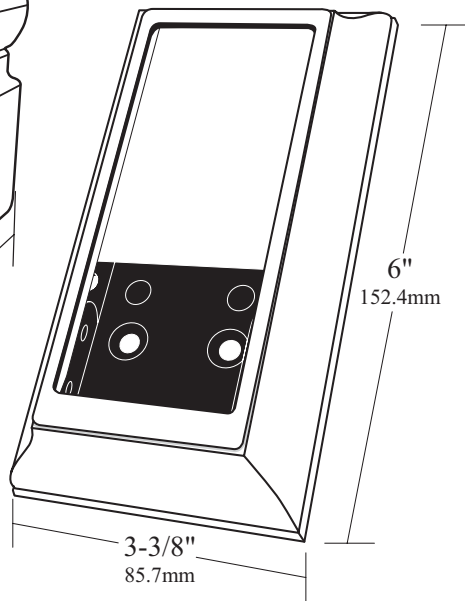
Dimensions and tolerances contained on drawings and figures are for reference only and may not encompass total allowable and approved dimensional variations.



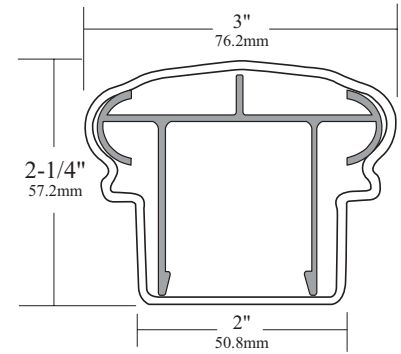
Contour Stair Mounting Bracket



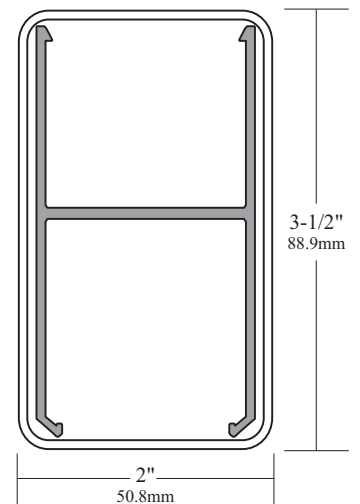
Standard Stair Mounting Bracket



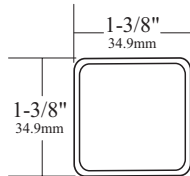
Contour Top Rail  
W/Aluminum Insert



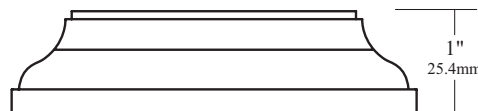
Standard 2" x 3-1/2" Rail  
(Top & Bottom Rails)



1-3/8" x 1-3/8"  
Square Baluster

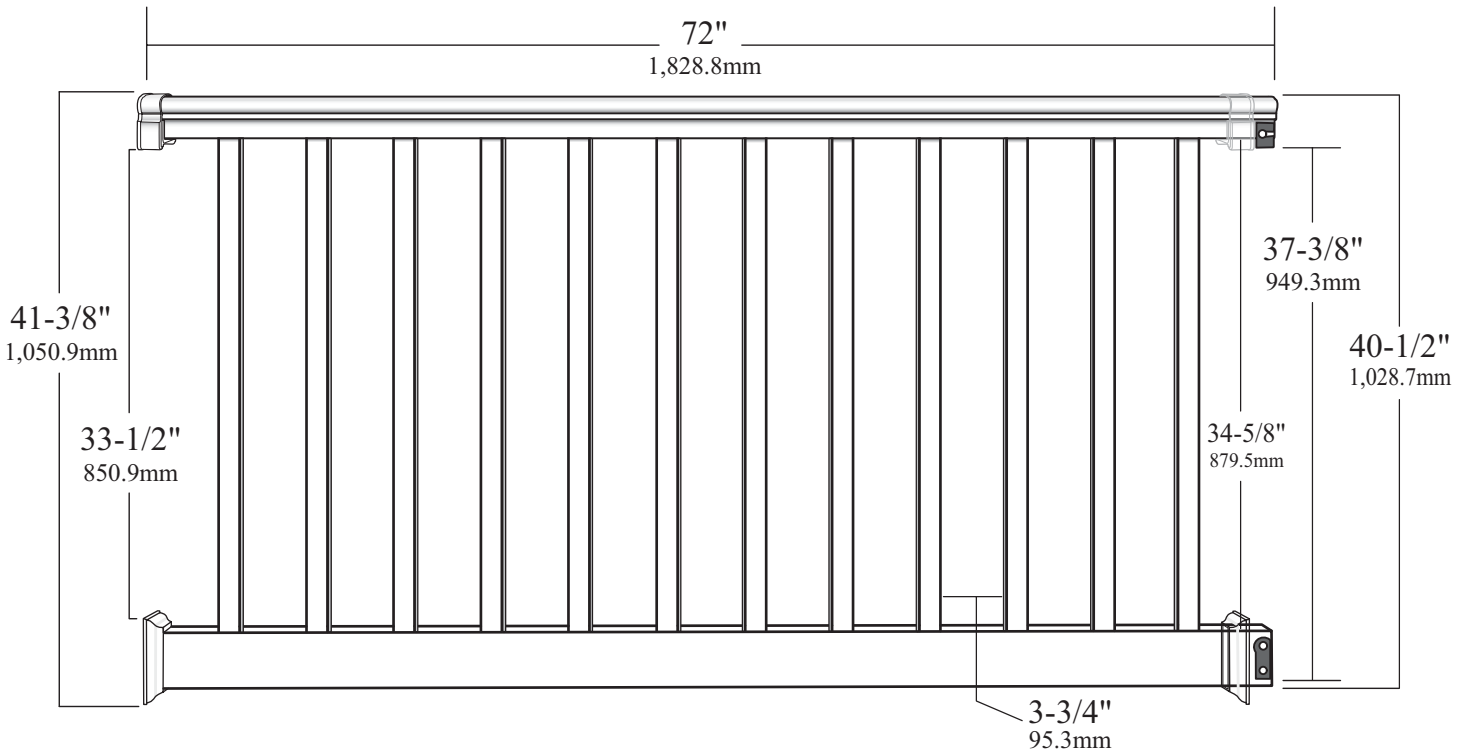


Standard Stair Mounting Bracket  
(Top View)

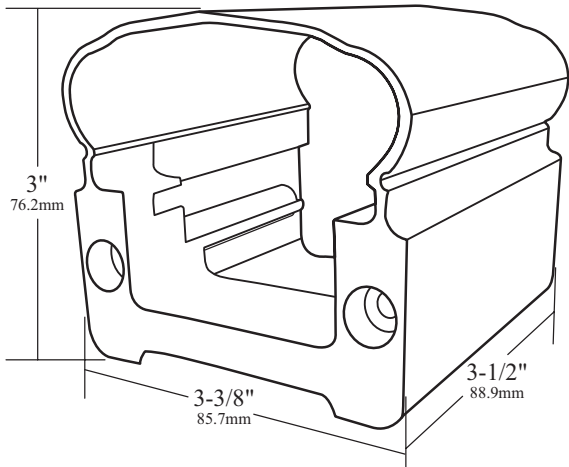


DOCUMENT TITLE:		6' Stair Contour w/Square Balusters - 36" height (29°-35°)			
This drawing is the property of Fairway Vinyl Systems. Any hard copy of this drawing may not be current. This document and/or images contained within may not be reproduced in publication format without express written consent of Fairway Vinyl Systems. Drawings may not be to scale.					
<b>FAIRWAY VINYL SYSTEMS</b>					
P.O. Box 37 Mount Joy, Pa 17552					
UOM inch/mm	REF#	VR 401003A	PI	REV	1
SCALE:	SHEET#	1 of 1	DRAWN BY	DATE	7-14-08
			EVS		

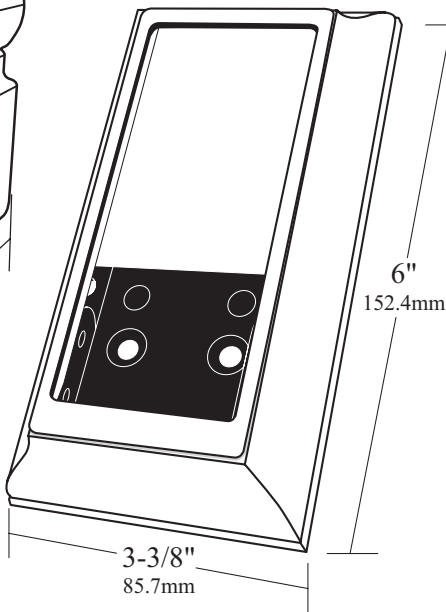
Dimensions and tolerances contained on drawings and figures are for reference only and may not encompass total allowable and approved dimensional variations.



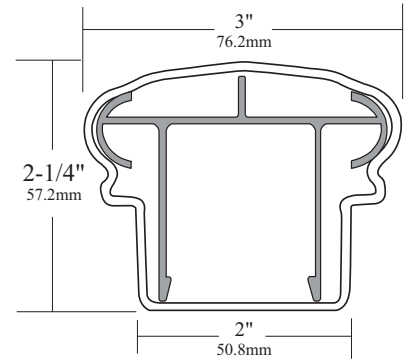
Contour Stair Mounting Bracket



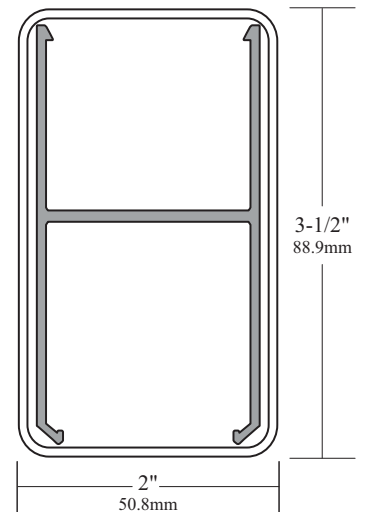
Standard Stair Mounting Bracket



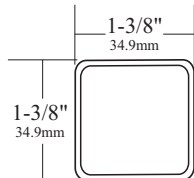
Contour Top Rail  
W/Aluminum Insert



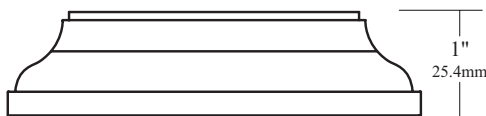
Standard 2" x 3-1/2" Rail  
(Top & Bottom Rails)



1-3/8" x 1-3/8"  
Square Baluster

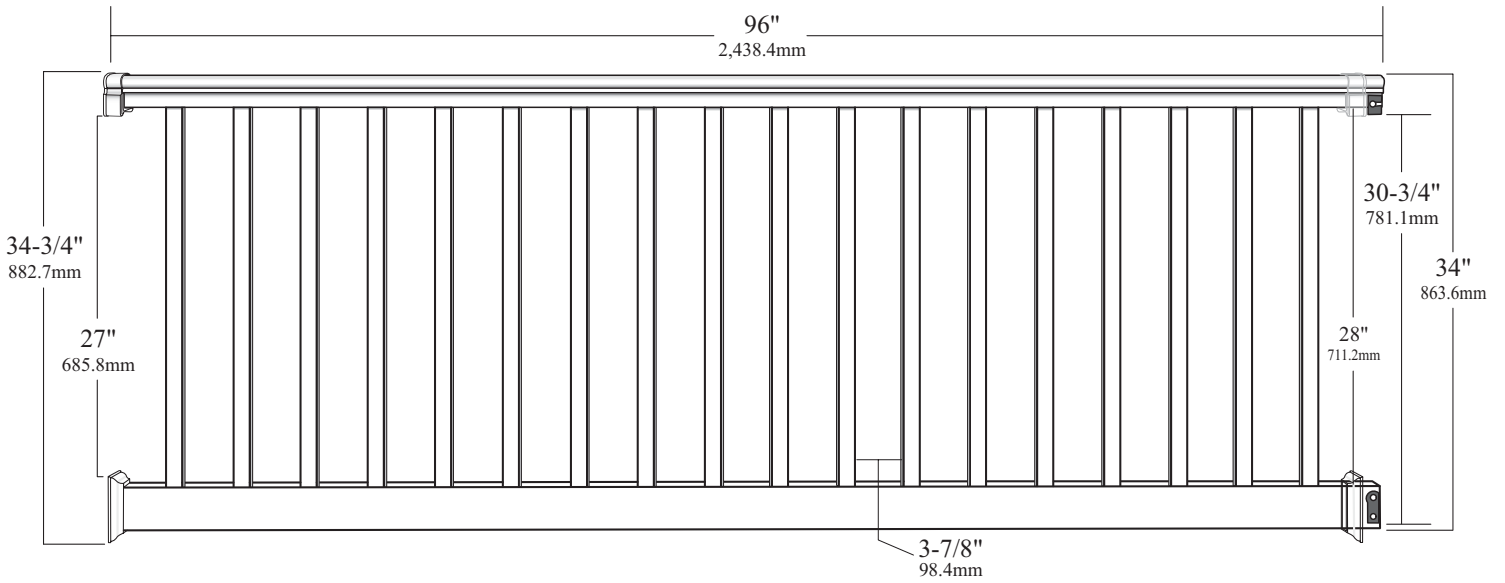


Standard Stair Mounting Bracket  
(Top View)

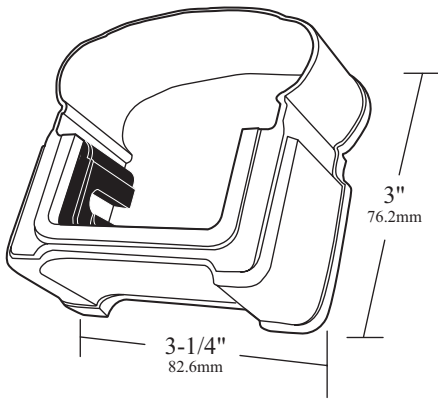


DOCUMENT TITLE:				6' Stair Contour w/Square Balusters - 42" height (29°-35°)			
This drawing is the property of Fairway Vinyl Systems. Any hard copy of this drawing may not be current. This document and or images contained within may not be reproduced in publication format without express written consent of Fairway Vinyl Systems. Drawings may not be to scale.				FAIRWAY VINYL SYSTEMS			
P.O. Box 37 Mount Joy, Pa 17552				UOM REF# VR 403003A PI REV 1			
SCALE:	SHEET#	1 of 1	DRAWN BY:	DATE:	EVS	DATE:	7-14-08

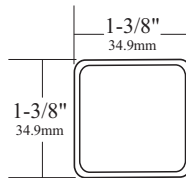
Dimensions and tolerances contained on drawings and figures are for reference only and may not encompass total allowable and approved dimensional variations.



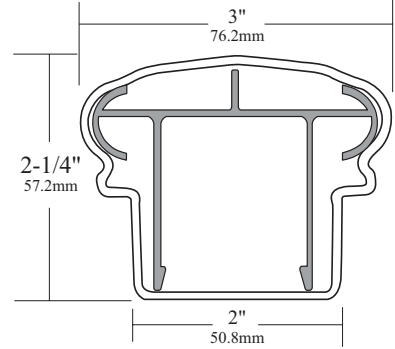
Contour Level Mounting Bracket



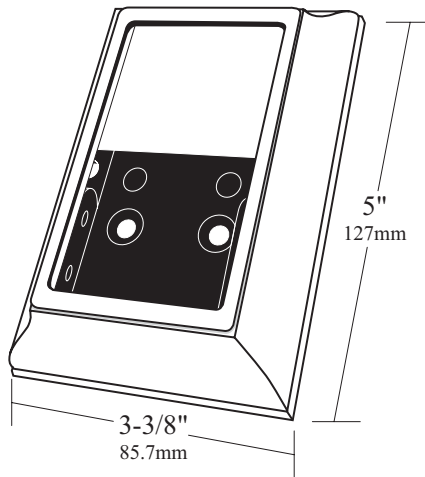
1-3/8" x 1-3/8"  
Square Baluster



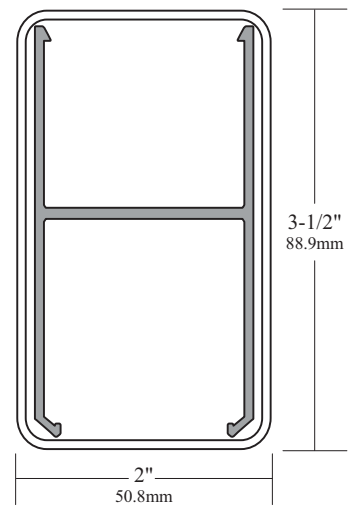
Contour Top Rail  
W/Aluminum Insert



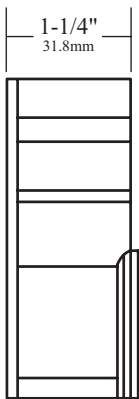
Standard Level Mounting Bracket



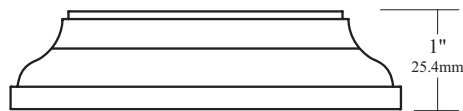
Standard 2" x 3-1/2" Rail  
(Top & Bottom Rails)



Contour Level Mounting Bracket  
(Side View)



Standard Level Mounting Bracket  
(Top View)

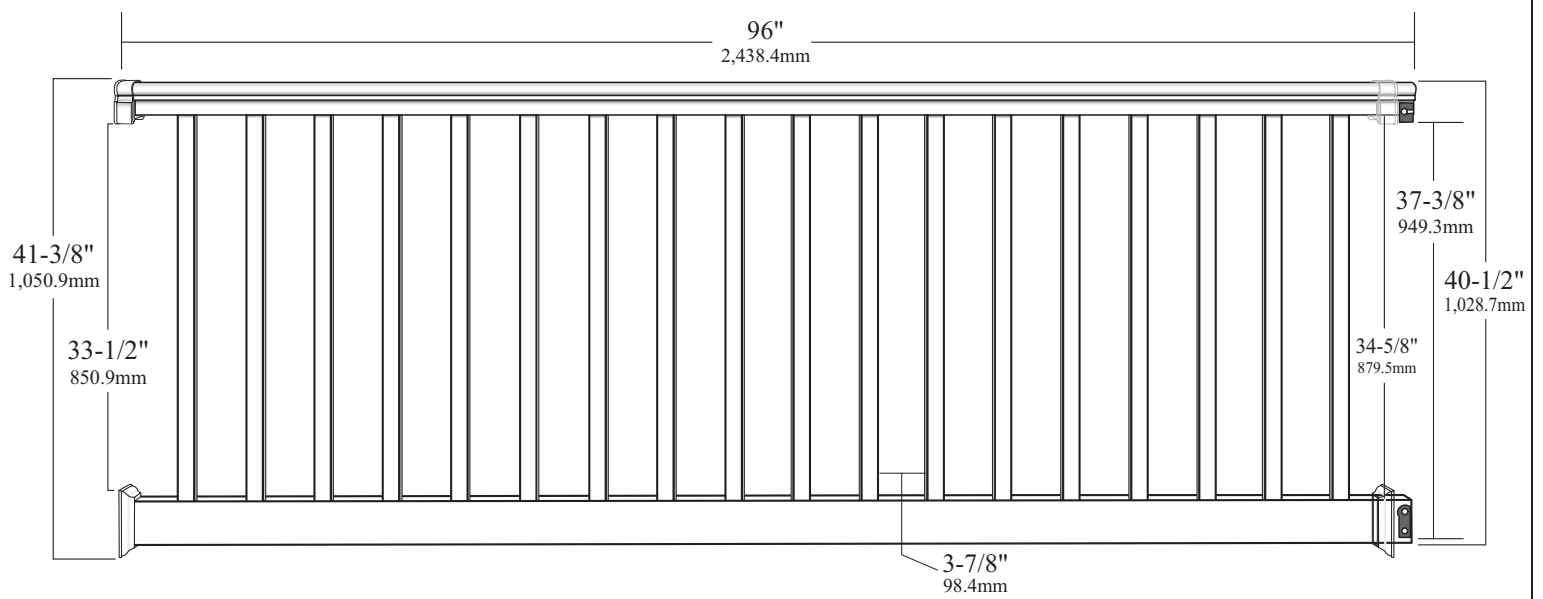


DOCUMENT TITLE: 8' Level Contour w/Square Balusters - 36" height

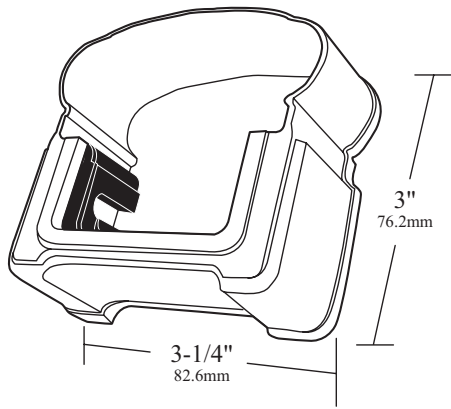
This drawing is the property of Fairway Vinyl Systems.  
Any hard copy of this drawing may not be current.  
This document and/or images contained within may  
not be reproduced in publication format without  
express written consent of Fairway Vinyl Systems.  
Drawings may not be to scale.

FAIRWAY VINYL SYSTEMS			
P.O. Box 37 Mount Joy, Pa 17552			
UOM inch/mm	REF# VR 401015 P1	DATE EVS	REV 1
SCALE 1 of 1	SHEET# 1 of 1	DRAWN BY EVS	DATE 7-14-08

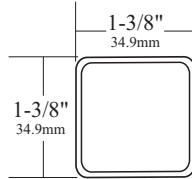
Dimensions and tolerances contained on drawings and figures are for reference only and may not encompass total allowable and approved dimensional variations.



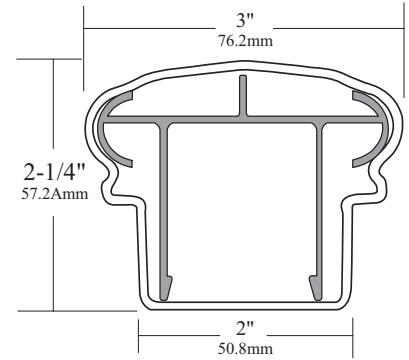
Contour Level Mounting Bracket



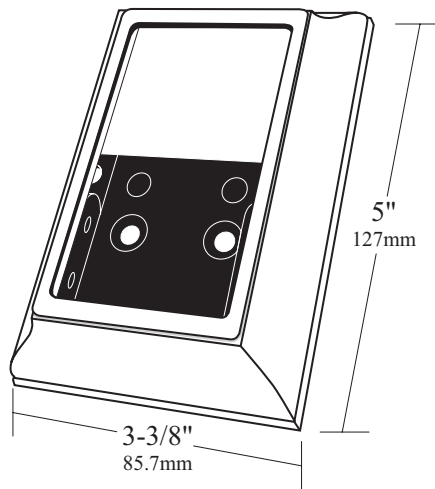
1-3/8" x 1-3/8" Square Baluster



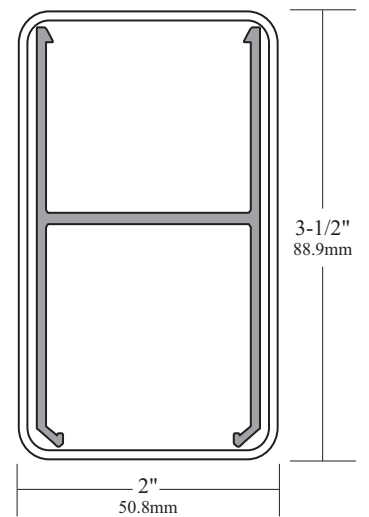
Contour Top Rail W/Aluminum Insert



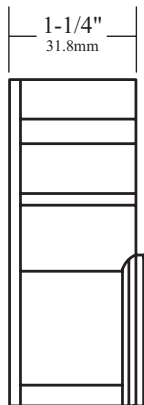
Standard Level Mounting Bracket



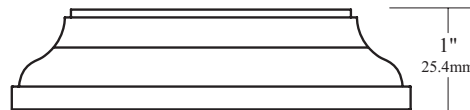
Standard 2" x 3-1/2" Rail (Top & Bottom Rails)



Contour Level Mounting Bracket (Side View)



Standard Level Mounting Bracket (Top View)

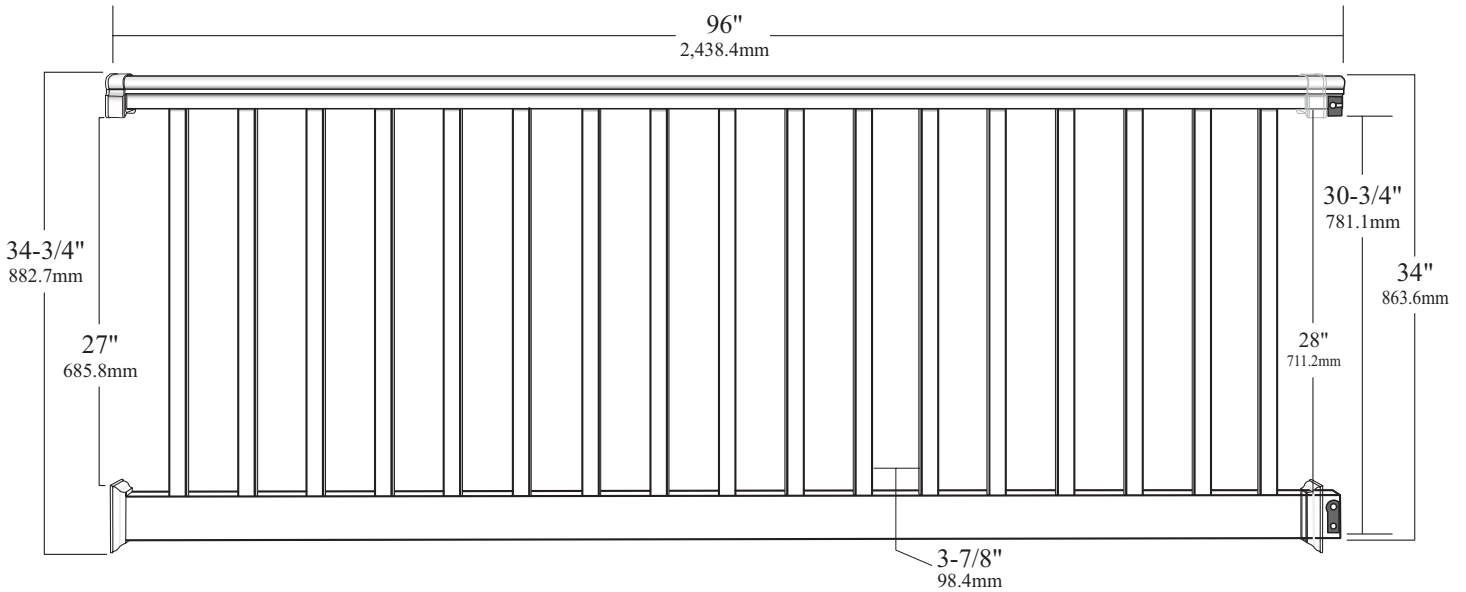


DOCUMENT TITLE: 8' Level Contour w/Square Balusters - 42" height

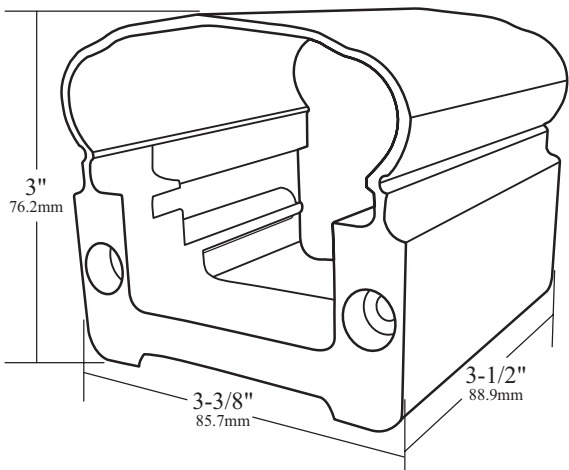
This drawing is the property of Fairway Vinyl Systems. Any hard copy of this drawing may not be current. This document and or images contained within may not be reproduced in publication format without express written consent of Fairway Vinyl Systems. Drawings may not be to scale.

FAIRWAY VINYL SYSTEMS			
P.O. Box 37 Mount Joy, Pa 17552			
UCM inch/mm	REF#	VR 403015 P1	REV 1
SCALE	SHEET#	1 of 1	DRAWN BY DATE EVS 7-14-08

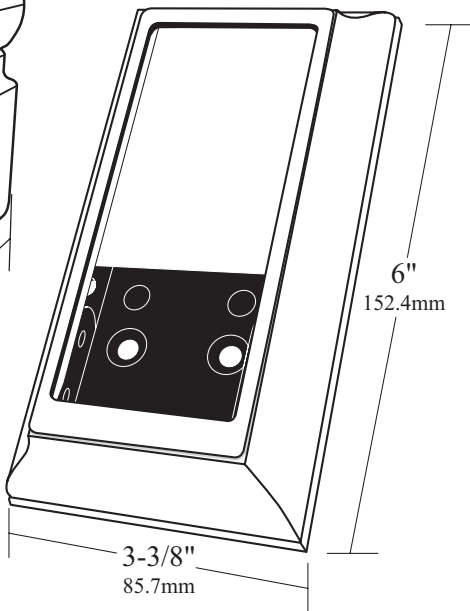
Dimensions and tolerances contained on drawings and figures are for reference only and may not encompass total allowable and approved dimensional variations.



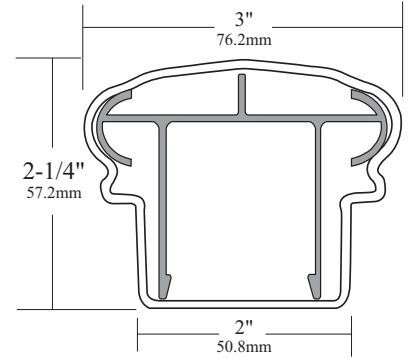
Contour Stair Mounting Bracket



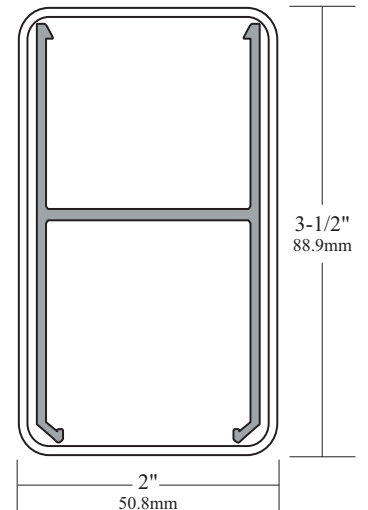
Standard Stair Mounting Bracket



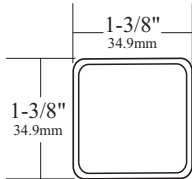
Contour Top Rail  
W/Aluminum Insert



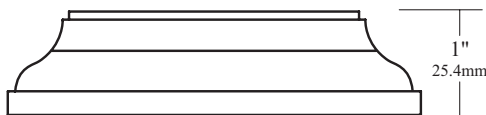
Standard 2" x 3-1/2" Rail  
(Top & Bottom Rails)



1-3/8" x 1-3/8"  
Square Baluster

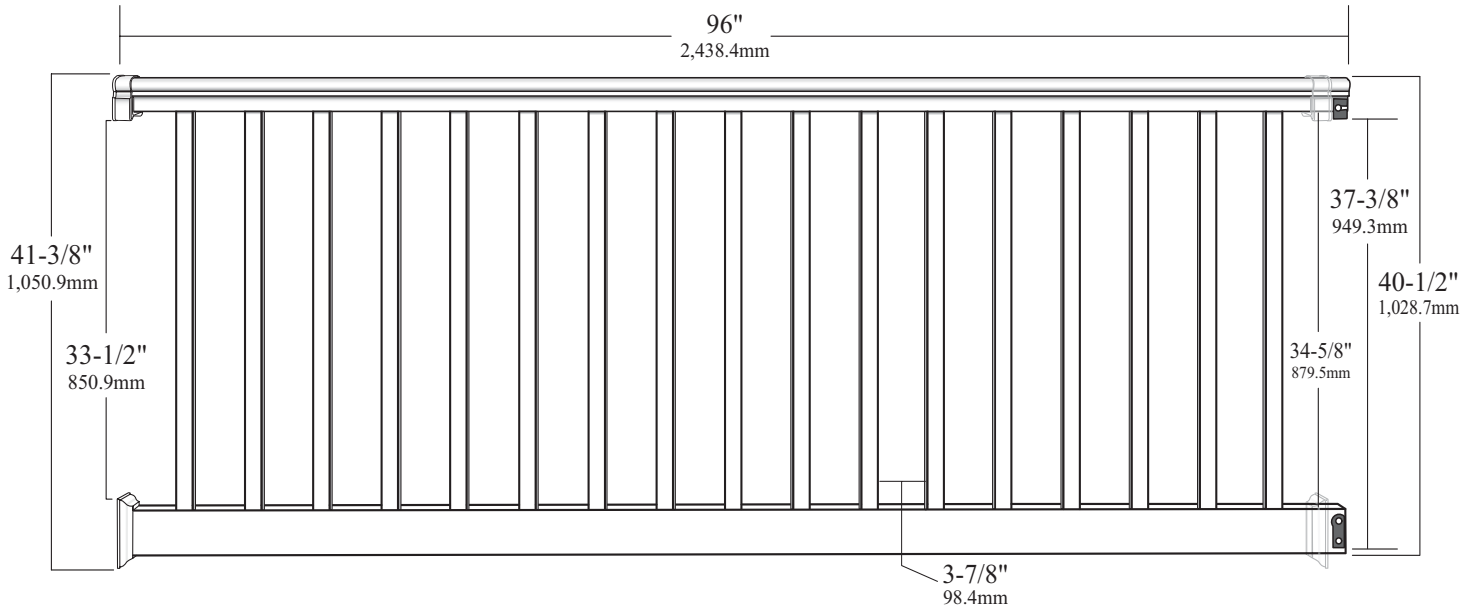


Standard Stair Mounting Bracket  
(Top View)

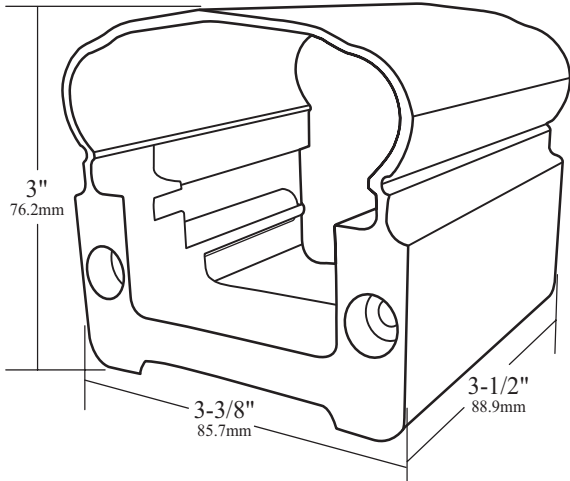


DOCUMENT TITLE				8' Stair Contour w/Square Balusters - 36" height (29°-35°)			
This drawing is the property of Fairway Vinyl Systems. Any hard copy of this drawing may not be current. This document and/or images contained within may not be reproduced in publication format without express written consent of Fairway Vinyl Systems. Drawings may not be to scale.				FAIRWAY VINYL SYSTEMS			
P.O. Box 37 Mount Joy, Pa 17552				UOM REF# VR 401011 PI REV 1			
SCALE	SHEET#	1 of 1	DRAWN BY	DATE	EVS	DATE	7-14-08

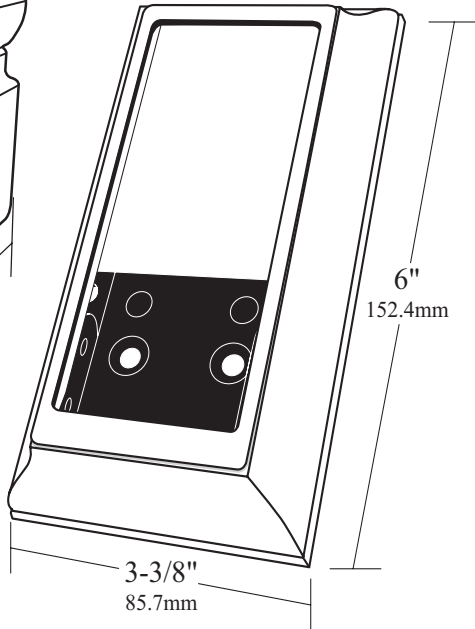
Dimensions and tolerances contained on drawings and figures are for reference only and may not encompass total allowable and approved dimensional variations.



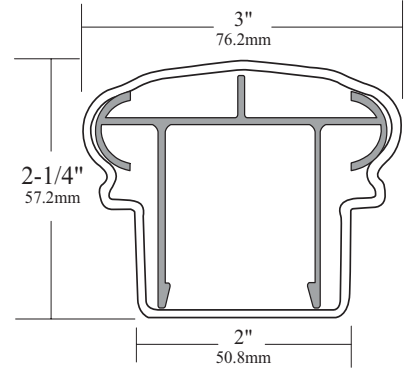
Contour Stair Mounting Bracket



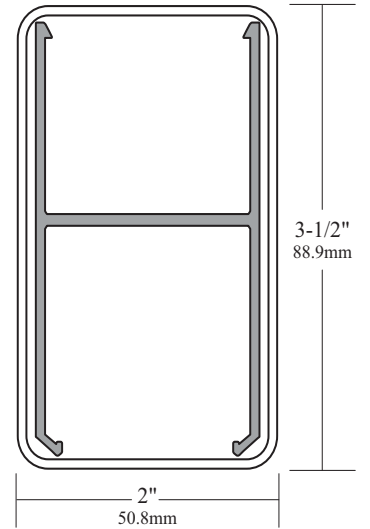
Standard Stair Mounting Bracket



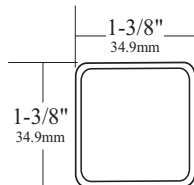
Contour Top Rail  
W/Aluminum Insert



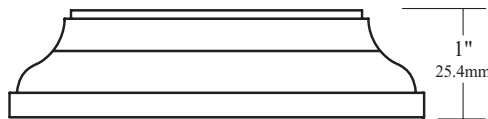
Standard 2" x 3-1/2" Rail  
(Top & Bottom Rails)



1-3/8" x 1-3/8"  
Square Baluster

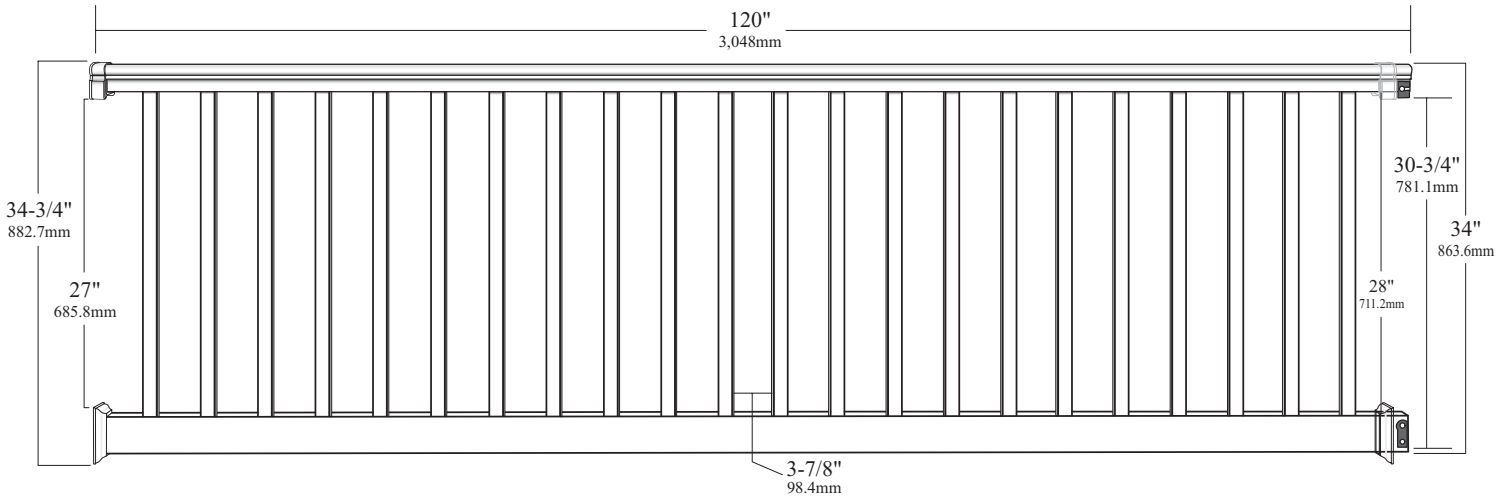


Standard Stair Mounting Bracket  
(Top View)

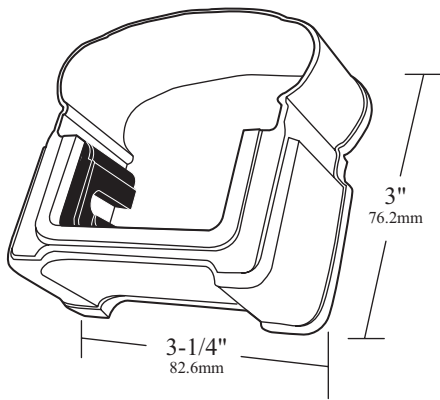


DOCUMENT TITLE:				8' Stair Contour w/Square Balusters - 42" height (29°-35°)			
This drawing is the property of Fairway Vinyl Systems. Any hard copy of this drawing may not be current. This document and or images contained within may not be reproduced in publication format without express written consent of Fairway Vinyl Systems. Drawings may not be to scale.				FAIRWAY VINYL SYSTEMS			
P.O. Box 37 Mount Joy, Pa 17552				UOM REF# VR 403011 P1 REV 1			
SCALE:	SHEET#	DRAWN BY:	DATE:	REV			
1 of 1	EVS			8-1-08			

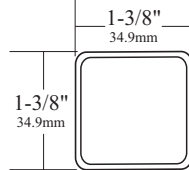
Dimensions and tolerances contained on drawings and figures are for reference only and may not encompass total allowable and approved dimensional variations.



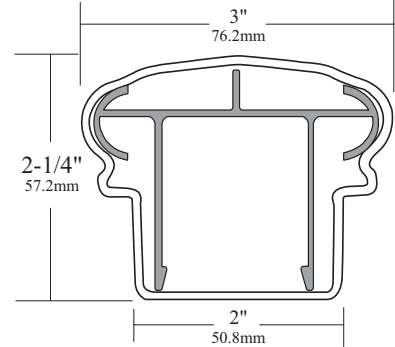
Contour Level Mounting Bracket



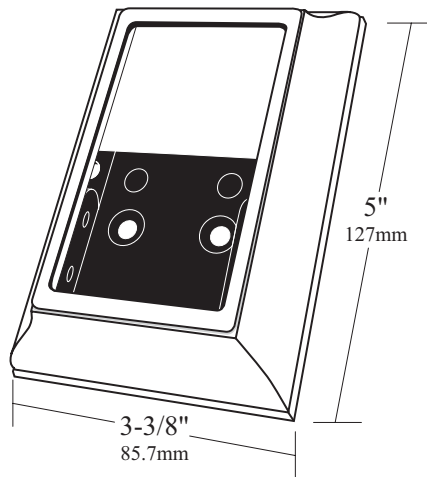
1-3/8" x 1-3/8" Square Baluster



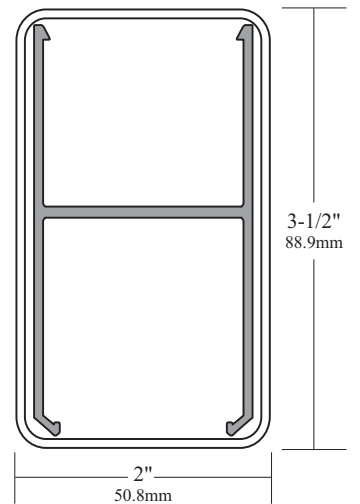
Contour Top Rail W/Aluminum Insert



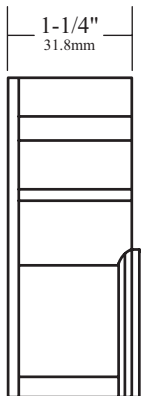
Standard Level Mounting Bracket



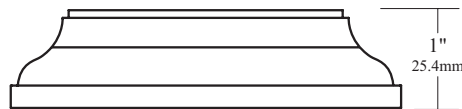
Standard 2" x 3-1/2" Rail (Top & Bottom Rails)



Contour Level Mounting Bracket (Side View)

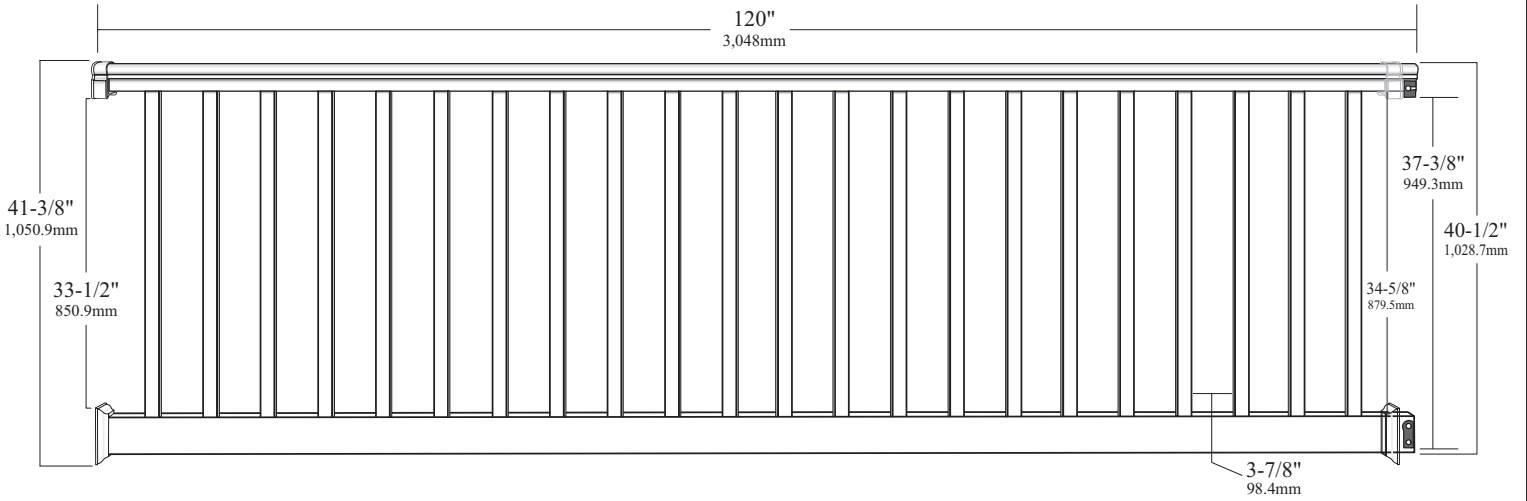


Standard Level Mounting Bracket (Top View)

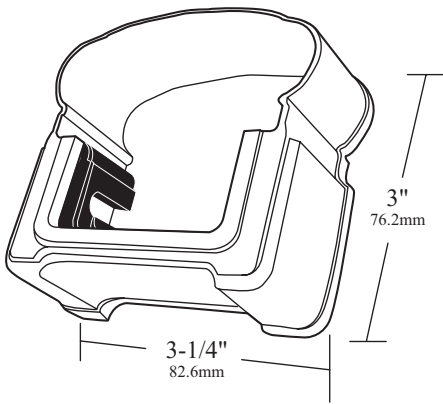


DOCUMENT TITLE:				10' Level Contour w/Square Balusters - 36" height			
This drawing is the property of Fairway Vinyl Systems. Any hard copy of this drawing may not be current. This document and/or images contained within may not be reproduced in publication format without express written consent of Fairway Vinyl Systems. Drawings may not be to scale.				FAIRWAY VINYL SYSTEMS			
P.O. Box 37 Mount Joy, Pa 17552				UOM inch/mm		REF# VR 401031 P1	REV 1
SCALE	SHEET#	1 of 1	DRAWN BY EVS	DATE	7-14-08		

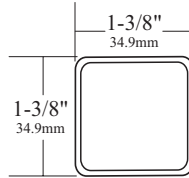
Dimensions and tolerances contained on drawings and figures are for reference only and may not encompass total allowable and approved dimensional variations.



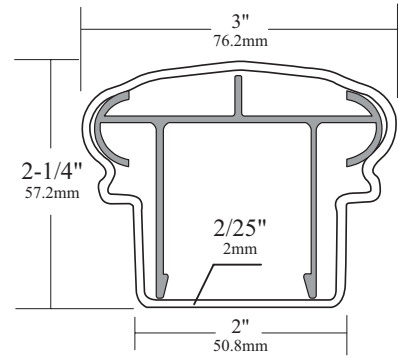
Contour Level Mounting Bracket



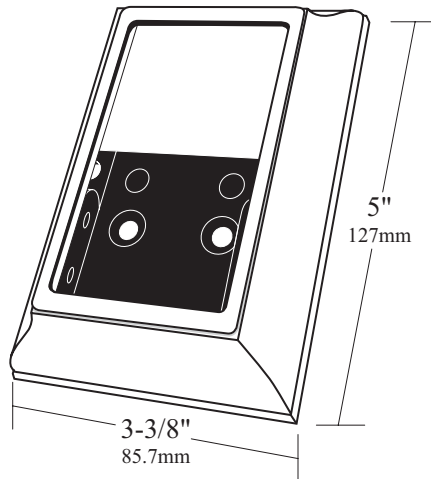
1-3/8" x 1-3/8" Square Baluster



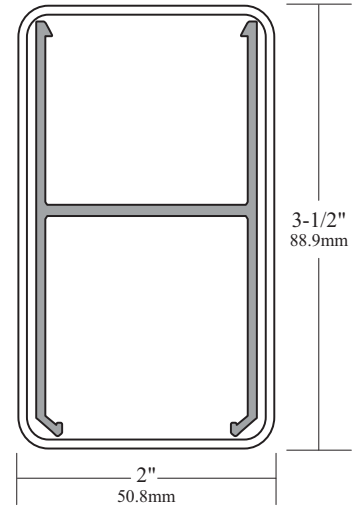
Contour Top Rail W/Aluminum Insert



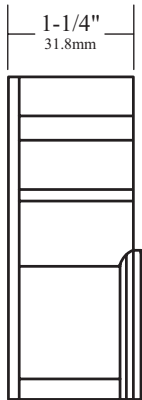
Standard Level Mounting Bracket



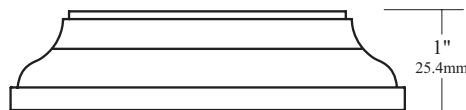
Standard 2" x 3-1/2" Rail (Top & Bottom Rails)



Contour Level Mounting Bracket (Side View)



Standard Level Mounting Bracket (Top View)



DOCUMENT TITLE:				10' Level Contour w/Square Balusters - 42" height			
This drawing is the property of Fairway Vinyl Systems. Any hard copy of this drawing may not be current. This document and or images contained within may not be reproduced in publication format without express written consent of Fairway Vinyl Systems. Drawings may not be to scale.				FAIRWAY VINYL SYSTEMS			
P.O. Box 37 Mount Joy, Pa 17552				UOM REF#			
inches		VR 403031		PI		REV 1	
SCALE	SHEET#	1 of 1	DRAWN BY	DATE	7-15-08		
			EVS				

Dimensions and tolerances contained on drawings and figures are for reference only and may not encompass total allowable and approved dimensional variations.