

PRIVACY FENCE INSTALLATION GUIDE

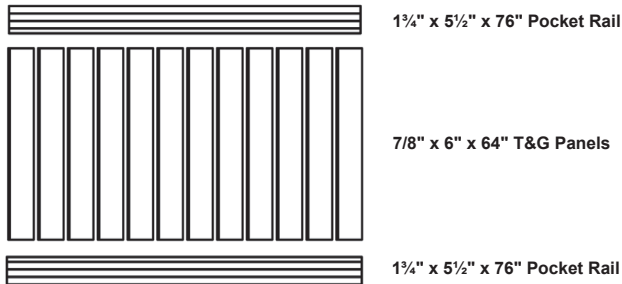
FAIRWAY RAILING™

BY **Envision**
OUTDOOR LIVING PRODUCTS

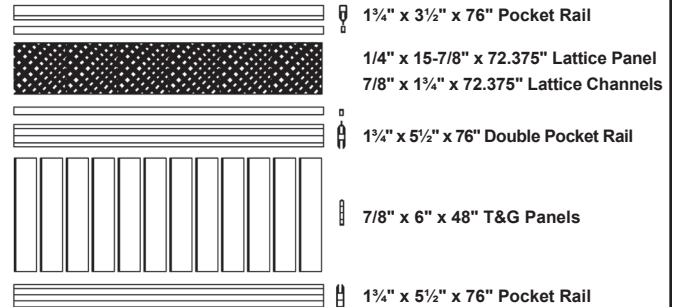
! It is the responsibility of the installer to meet or exceed all code and safety requirements, and to obtain all required building permits. These instructions are only a guide and may not address every circumstance. The installer should determine and implement appropriate installation techniques for each situation. **The manufacturer shall not be held liable for improper or unsafe installations.**

909922

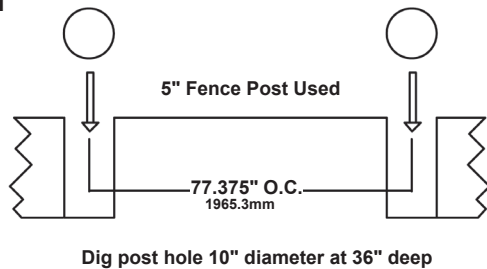
PRIVACY FENCE



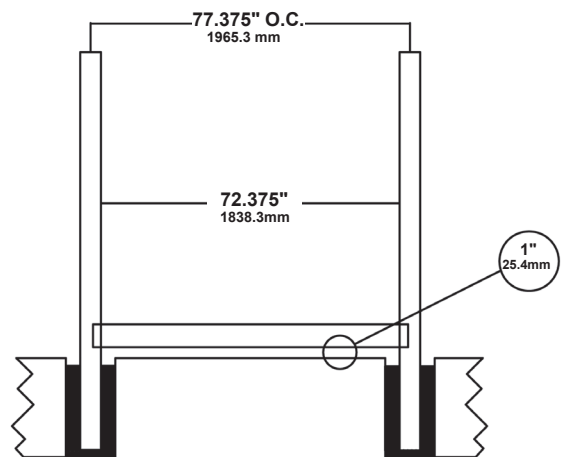
PRIVACY w/LATTICE FENCE



Step 1



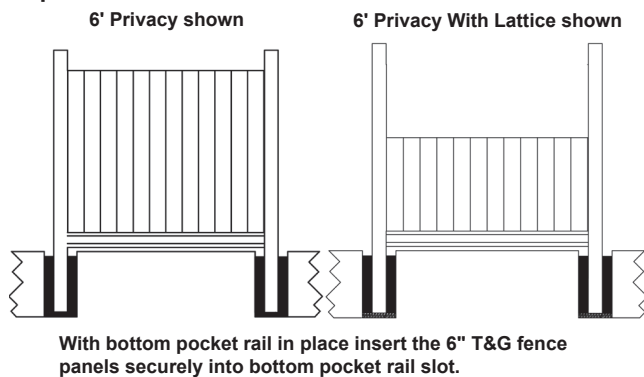
Step 2



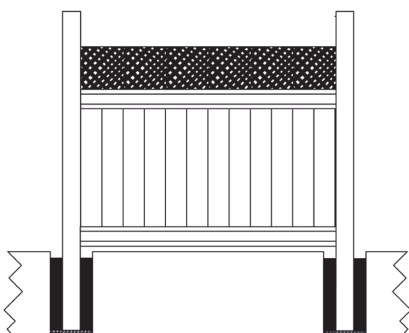
Fill hole with 3" of crushed stone and allow a 1" gap between grade and bottom of pocket rail. Plumb post and fill with concrete mix 2" below grade. Then proceed to backfill with dirt.

With post secured, slide bottom pocket rail into post (4") or far enough to insert opposite end of rail into post.

Step 3

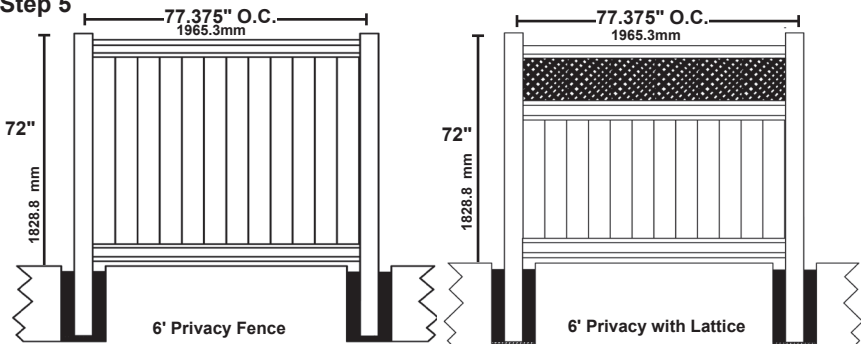


Step 4 - Lattice Fence Only



Check to make sure lattice channels are seated securely into top slot of the 5-1/2" double pocket rail and the 3-1/2" top rail.

Step 5



With panels securely in place insert top rail on to panels. Slide rail forward and insert into post far enough to align opposite end of rail. Insert into post until it locks into place. Install Post Caps.

With panels securely in place insert double pocket mid-rail on to panels. Slide rail forward and insert into post far enough to align opposite end of rail. Insert into post until it locks into place. Install lattice into lattice channel. Install top rail as done previously with mid-rail. Install Post Caps.

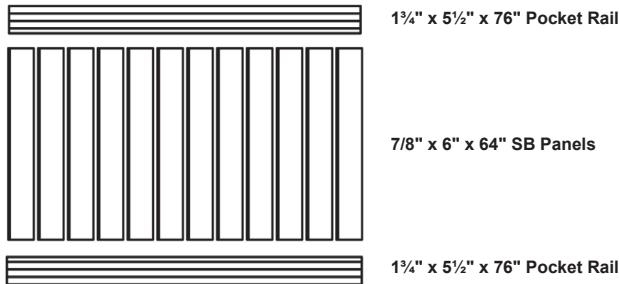
SHADOWBOX FENCE INSTALLATION GUIDE

FAIRWAY RAILING™

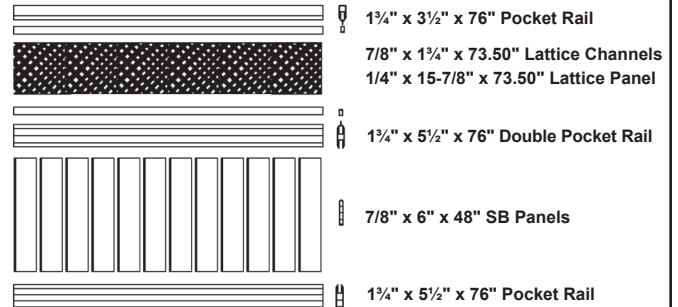
BY **Envision**
OUTDOOR LIVING PRODUCTS

! It is the responsibility of the installer to meet or exceed all code and safety requirements, and to obtain all required building permits. These instructions are only a guide and may not address every circumstance. The installer should determine and implement appropriate installation techniques for each situation. **The manufacturer shall not be held liable for improper or unsafe installations.**

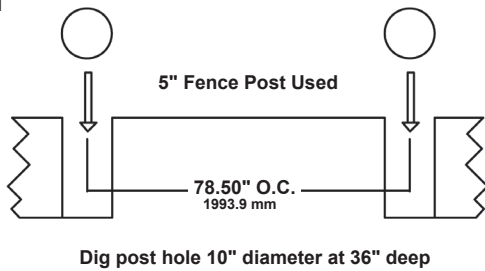
SHADOWBOX FENCE



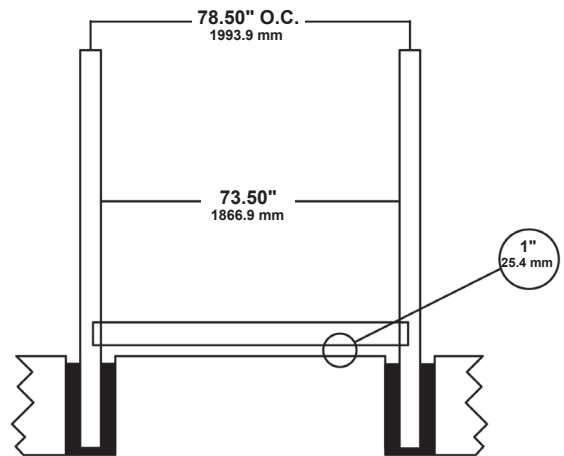
SHADOWBOX w/LATTICE FENCE



Step 1



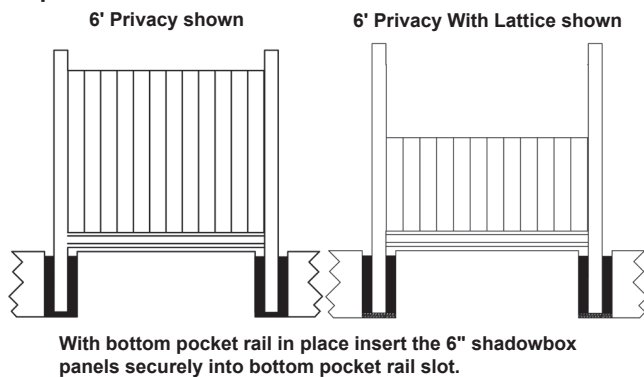
Step 2



Fill hole with 3" of crushed stone and allow a 1" gap between grade and bottom of pocket rail. Plumb post and fill with concrete mix 2" below grade. Then proceed to backfill with dirt.

With post secured, slide bottom pocket rail into post (4") or far enough to insert opposite end of rail into post.

Step 3

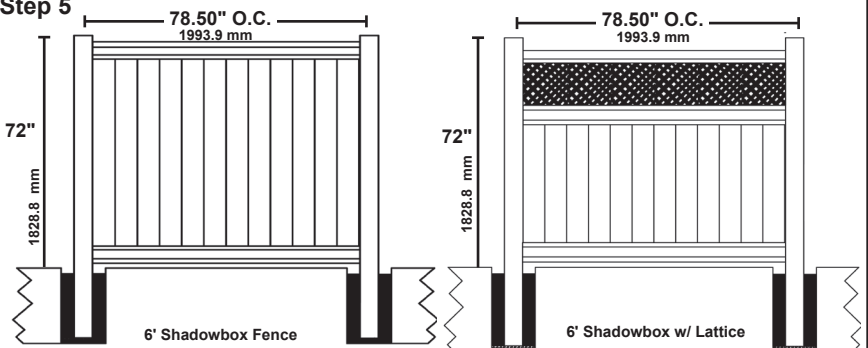


Step 4 - Lattice Fence Only



Check to make sure lattice channels are seated securely into top slot of the 5-1/2" double pocket rail and the 3-1/2" top rail.

Step 5



With shadowbox panels securely in place insert top rail on to panels. Slide rail forward and insert into post far enough to align opposite end of rail. Insert into post until it locks into place. Install Post Caps.

With shadowbox panels securely in place insert mid-rail on to panels. Slide rail forward and insert into post far enough to align opposite end of rail. Insert into post until it locks into place. Install lattice into lattice channel. Install top rail as done previously with mid-rail. Install Post Caps.

FENCE GATE INSTALLATION GUIDE

FAIRWAY RAILING™

BY **Envision**
OUTDOOR LIVING PRODUCTS

! It is the responsibility of the installer to meet or exceed all code and safety requirements, and to obtain all required building permits. These instructions are only a guide and may not address every circumstance. The installer should determine and implement appropriate installation techniques for each situation. **The manufacturer shall not be held liable for improper or unsafe installations.**

909924

