

8.5" Straight Vinyl Builder Column Installation Guide

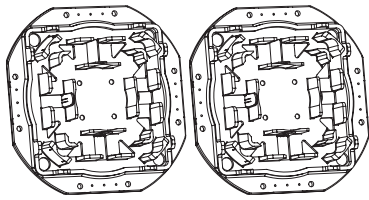
FAIRWAY RAILING™

BY **Envision**
OUTDOOR LIVING PRODUCTS

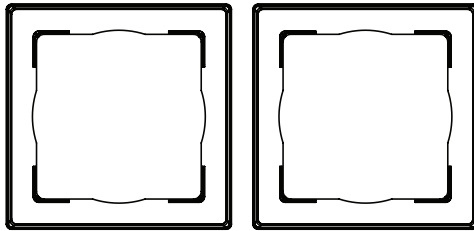
It is the responsibility of the installer to meet or exceed all code and safety requirements, and to obtain all required building permits. These instructions are only a guide and may not address every circumstance. The deck and railing installer should determine and implement appropriate installation techniques for each situation. **FAIRWAY, shall not be held liable for improper or unsafe installations.**

Column and Trim Package includes:

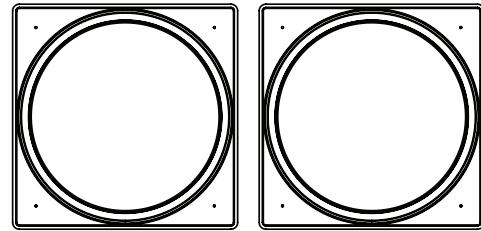
1 - 8.4" x 108" Straight Vinyl Round Column



2 - Mounting Plates



2 - Universal Trim

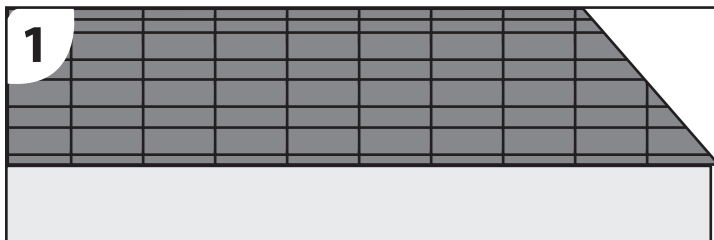


2 - Round Column Trim



8 - #12 x 1-1/2" Screws

1



Load bearing capacity is dependent on the concentric loading of the columns. It is the user's responsibility to ensure proper application and use of data, relating to design, dead and live load, wind, snow, seismic loads and safety factors.

Prior to installation -

Consult your local building department to address applicable building codes, including codes pertaining to the substructure, attachment to the adjoining building, and installation of guard railing.

Measure the height (Rough opening size)

of the floor to the underside of the structure that the column is to be installed.

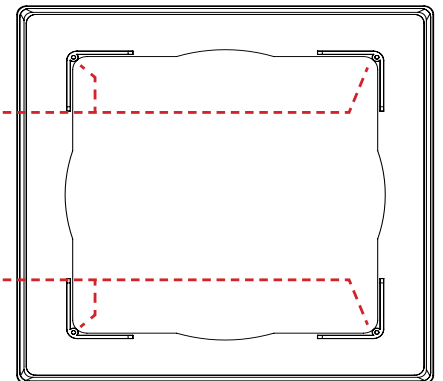
?" — 5/8" = Cut the column 5/8" shorter than the measured height of the rough opening.
15.8mm

2

Trim Pre-Assembly

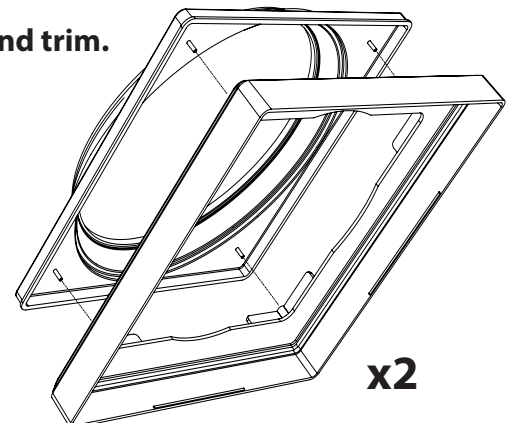
Lay both top and bottom Universal Trim pieces on a flat surface. Place one drop of PVC glue on each peg hole.

Drop of PVC GLUE



- **Attach the 8.4" Round Column trim** to the Universal Trim piece. (Make sure the pegs of the column trim insert into the peg holes where glue was placed)

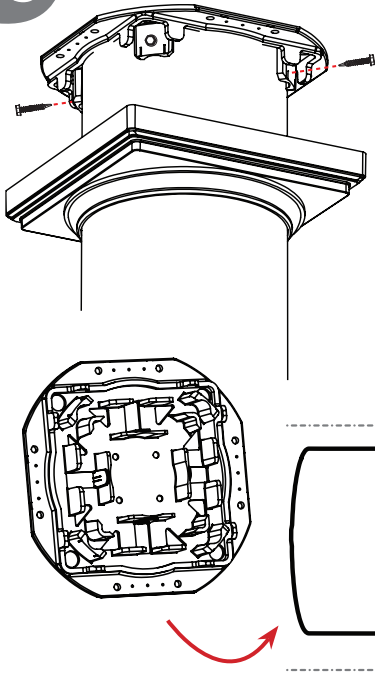
- **Repeat with 2nd trim.**



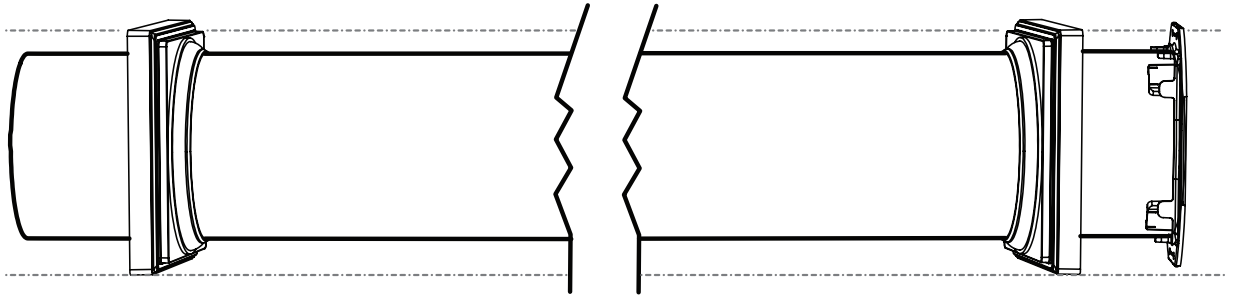
3

#12 x 1-1/2"

Column Assembly - NOTE: MAKE SURE TO ALIGN TOP AND BOTTOM MOUNTING PLATES.



- On only one end, insert column extrusion into the Universal Mounting Plate in the appropriate slots.
- Screw one (1) #12 x 1-1/2" hex head screw into each "corner" tab and through column extrusion (total of 4 screws used).
- Slide the bottom trim onto the column extrusion over the side of the column without the mounting plate so that the opening faces the Universal Mounting Plate.
- Slide the top trim onto the column extrusion facing the opposite direction.
- On the other end of the column, insert the extrusion into the Universal Mounting Plate in the appropriate slots.
- Screw one (1) #12 x 1-1/2" hex head screw into each "corner" tab and through column extrusion (total of 4 screws used).



4

Column Installation

Slide assembled column into predetermined installation location.

Install bottom mounting plate using the appropriate fasteners for the substructure

Lags screws for wood

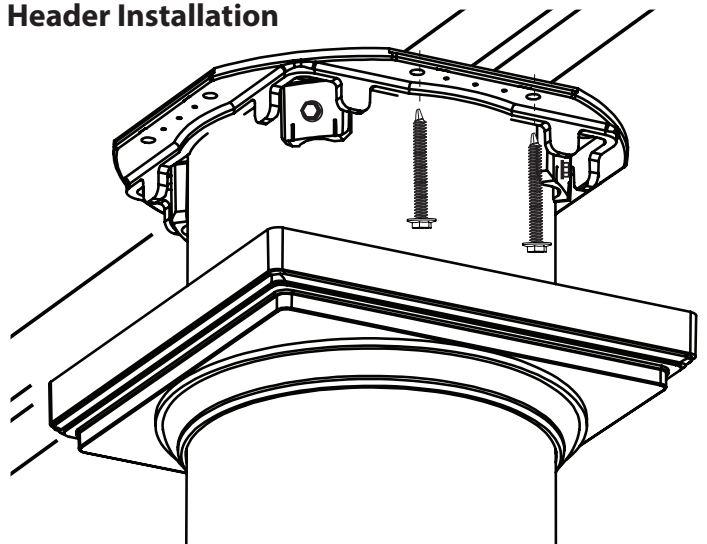
Wedge anchors for cement

Ensure column is plumb, then attach top mounting plate with appropriate fasteners.

Starting with the top, slide trim up the column and snap the assembled trim to the secured Universal Mounting Plate (PVC glue may be used to secure trim piece to Universal Mounting Plate).

Slide bottom trim down the column and snap the assembled trim securely the mounting plate.

Header Installation



Concrete Installation

