

Adjustable Vinyl Post Wraps Installation Guide

! It is the responsibility of the installer to meet or exceed all code and safety requirements, and to obtain all required building permits. These instructions are only a guide and may not address every circumstance. The deck and railing installer should determine and implement appropriate installation techniques for each situation.

FAIRWAY Architectural Railing Solutions shall not be held liable for improper or unsafe installations.

Step 1 Safety Precautions

- Review all local building codes.
- Wear proper safety equipment.
- Determine property boundary lines.
- Check with utility company before digging.

Step 2 Verify Post Installation

- Make sure wood post is correctly installed.
- Check post surfaces for obstructions (nails, screws, etc) before covering post. (See Figure 1)
- For Min/Max Post Wrap adjustment length, see *Technical Specifications* below.

Step 3 Cut Adjustable Vinyl Post Wrap

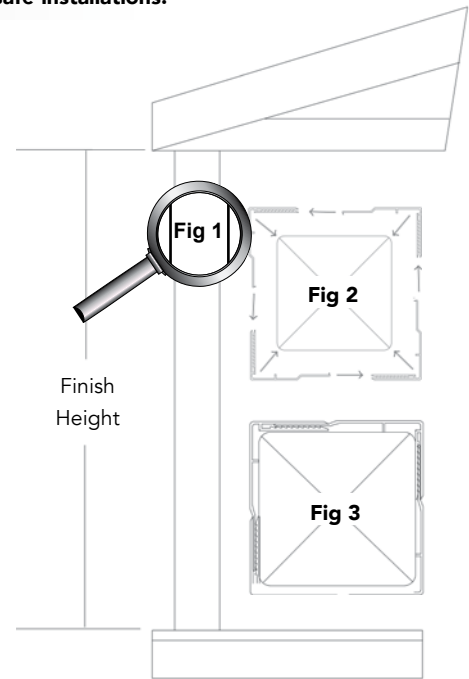
Measure wood post to be wrapped and cut the Vinyl Post Wrap to the required finished length. (See Right) **WARNING: Assembled post wraps are designed with a positive locking feature; ensure you are prepared for final installation prior to proceeding.**

Step 4 Install Adjustable Vinyl Post Wrap

Start at one corner and insert male end into female end. (See Figure 2)
Snap tight together until all four sections are installed. (See Figure 3)

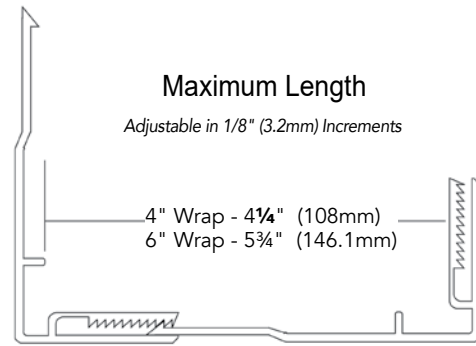
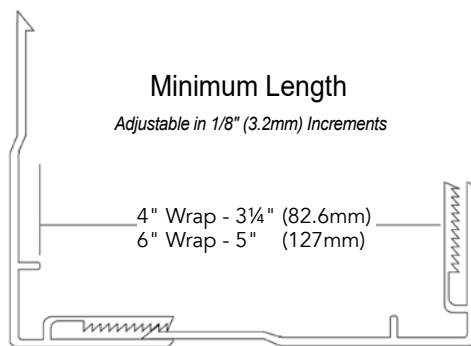
Step 5 Cleanup

Your job is complete. You may clean up any dirt or marks with a hose and soft cloth. For stubborn stains, use all-purpose cleaner.



Technical Specifications

4" & 6" Post Wraps



8" & 10" Post Wraps

