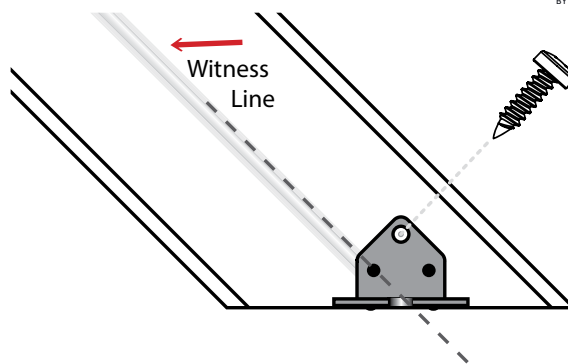


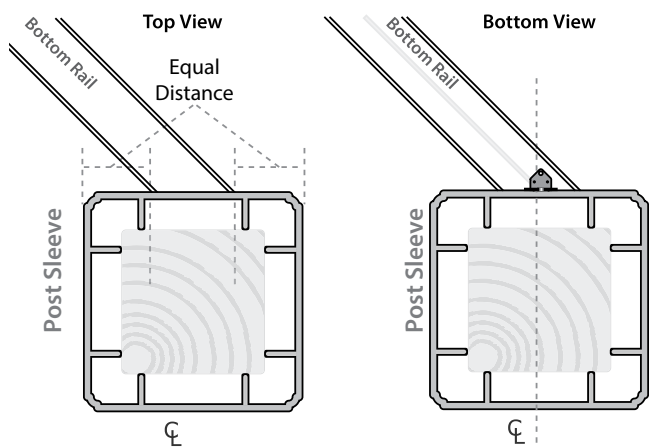
**1. Measure for Bottom Rail Bracket Screw**

Determine distance from deck surface to bottom of rail. Add 3/8" and lightly mark this dimension across post.



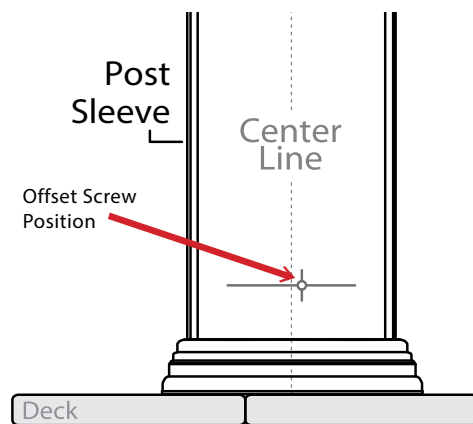
**2. Cut Bottom Rail at Angle and Install Bracket on Rail**

- Cut Bottom Rail at angle needed for bottom rail installation.
- Place bottom rail bracket on underside of bottom rail.
- Align side of keyhole with center "witness" line. Screw hole will be offset from center "witness" line (see above).



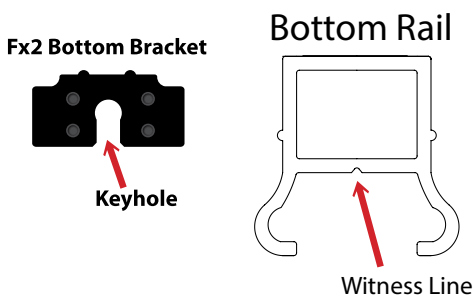
**3. Mark Bottom Bracket Screw Location on Post**

- At a comfortable height to work place cut bottom rail against post.
- Measure from rail to side of post sleeve on either side of cut bottom rail to position cut bottom rail on center of post sleeve.
- While holding cut bottom rail against post sleeve, reach under rail and mark keyhole location on post sleeve.

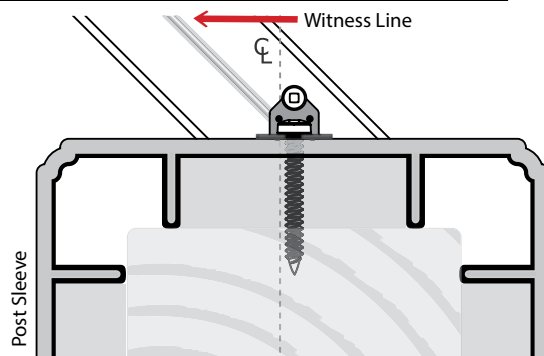


**4. Transfer Bracket Screw Location**

- Measure to keyhole location marked on post sleeve.
- Transfer measurement to keyhole location to measurement taken in Step 1
- Drill a 3/16" hole where measurement marks meet.
- Install #14 x 2" screw to within 1/8" of mounting surface.
- Check screw head clearance using a bottom bracket and adjust clearance between screw head and post/mounting surface to obtain a snap in fit.



**Bottom Rail Bracket and Rail Installed**  
(bottom view)



Fairway Architectural Railing Solutions will not be held liable for incorrect or unsafe installations by the installer. It is the installer's responsibility to secure proper building permits, review local codes and safety needs and meet or exceed them. The instructions provided by Fairway are a guide and may not account for every special circumstance. The installer must identify and execute the installation approach that is appropriate for every application.