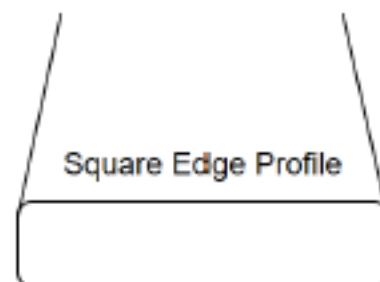


Color Match Deck Screw Installation Instructions

Square Edge Fastening

Square edge decking products can be fastened by composite screws or one of many compatible square edge hidden fastening systems available. Installation instructions of the chosen manufacturer must be followed.

Envision Composite Deck Screws are color matched and designed for use with Envision square edge decking products. When using composite deck screws, nominal 1" thick boards require a minimum #10 – 2 1/2" or longer screw for fastening. Nominal 2" thick boards require a minimum #10 – 2 3/4" or longer screw for fastening.

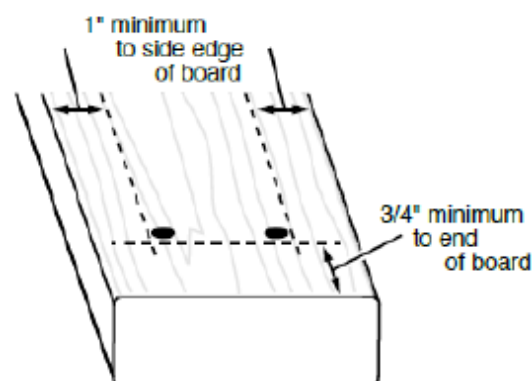


PRE-DRILLING

To avoid splitting and cracking, pre-drilling the fastener holes is recommended near ends of the boards on Envision decking. The drill bit diameter should be the same diameter as the fastener shank.

PLACEMENT

Do not overdrive fasteners. Fasteners should be installed flush with the board surface, no more than 1/16" below the surface of the board. Fasteners must be spaced so that no part of the fastener is within 3/4" from the end of the board and 1" from the edge of the board on square edge profiles. Decking must be fastened at every joist perpendicular to the deck surface. Two fasteners are required at the end of the board. Make sure joists are level.



SCREW ORIENTATION

Install fasteners perpendicular to board surface. Do not "toe-nail" or "toe-screw."

