

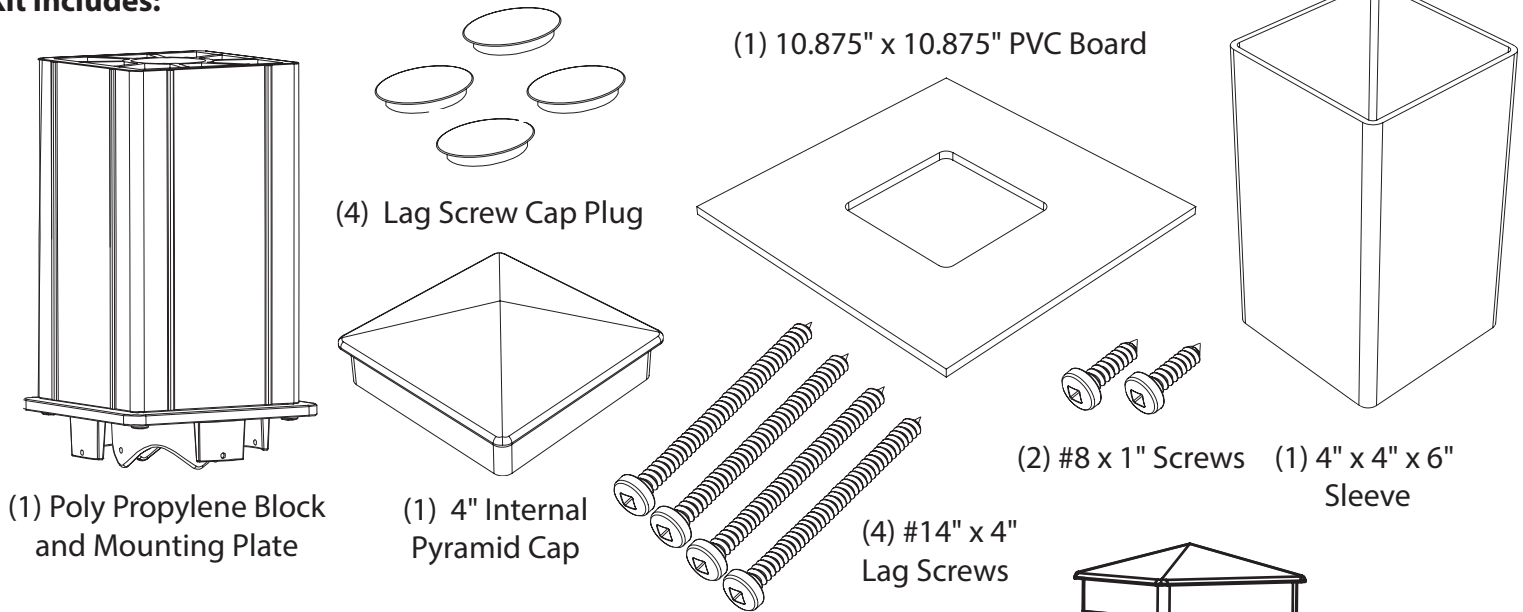
Pergola – Column Adapter Instructions

FAIRWAY RAILING™

BY **Envision**
OUTDOOR LIVING PRODUCTS

It is the responsibility of the installer to meet or exceed all code and safety requirements, and to obtain all required building permits. These instructions are only a guide and may not address every circumstance. The installer should determine and implement appropriate installation techniques for each situation. **FAIRWAY shall not be held liable for improper or unsafe installations.**

Kit Includes:



Step 1. Begin by attaching column adapter plate to internal structural post of column with #8 x 1" screws

Step 2. Slide routed PVC Board over mounting block (PVC Board may need trimmed on all 4 sides to fit column trim)

Step 3. Place 4" x 4" x 6" sleeve over mounting block

Step 4. Secure internal pyramid cap onto 4" x 4" x 6" sleeve with PVC glue

Step 5. Attach pergola joist to pergola adapter using included #14 x 4" lag screws. If lag screw cap plugs are desired, use a 5/8" spade bit to countersink lag screws. (See Below)

Step 6. Secure upper column trim to PVC Board with PVC glue

