

V110, V210 & V220 Round Column Bracket Adapter Installation Guide

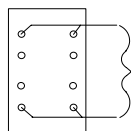
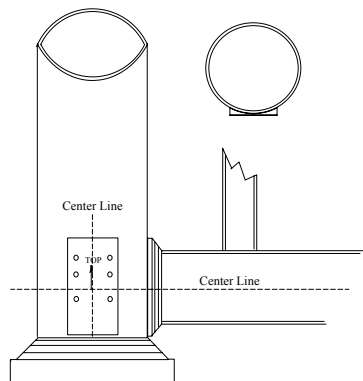
FAIRWAY RAILING™

BY **Envision**
OUTDOOR LIVING PRODUCTS

It is the responsibility of the installer to meet or exceed all code and safety requirements, and to obtain all required building permits. These instructions are only a guide and may not address every circumstance. The deck and railing installer should determine and implement appropriate installation techniques for each situation. **FAIRWAY shall not be held liable for improper or unsafe installations.**

V210 RAILING COLUMN ADAPTER

- Step 1** Mark Center Line for both VERTICAL and HORIZONTAL measurements.
- Step 2** Mark Center of width and height (Width - 1 11/16" • Height - 2 9/16") of Round Column Adapter.
- Step 3** Set Round Column Adapter in place and align with Center Lines on column. Mark screw holes and pre-drill 1/8" holes.
- Step 4** Align mounting bracket with Column Adapter and screw in place. Proceed following Railing Instructions specific to the railing system.



Use these mounting holes for V210 2"x3 1/2" Mounting Bracket
NOTE: Drill out screw holes with a 5/32" drill bit located at back of adapter

V220 RAILING COLUMN ADAPTER

- Step 1** Mount bottom rail per instructions.
- Step 2** Measure distance between columns where top rail will mount. Deduct 1/4" per side to allow for column adapter and cut rail to length. Make sure spacing is equal on both ends.
- Step 3** Insert a baluster in each end of bottom rail and set top rail in matching baluster pocket.
- Step 4** Set contour black mounting bracket onto contour column adapter and match up screw holes. Insert screws through holes and slide in place. Mark screw holes and remove.
- Step 5** Pre-drill four (4) 5/32" pilot holes and install the contour adapter with the mounting bracket with correct screws. Follow railing instructions to complete your installation.

