

# FAIRWAY RAILING™

BY  **Envision™**  
OUTDOOR LIVING PRODUCTS



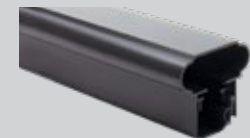
SQUARE ALUMINUM BALUSTERS

## 3-RAIL DESIGNER ALUMINUM RAILING

### INSTALLATION QUICK GUIDE

#### LEVEL & STAIR\* KIT INCLUDES:

- Top Rail
- Sub-Rail with Rail Insert
- Mid Rail with Rail Insert
- Bottom Rail with Rail Insert
- Top Rail Connector Brackets with Screws
- Bottom Rail Connector Brackets with Screws
- Rail Support(s)
- Square Aluminum Balusters
- Installation Template (\*not included in stair kit)



#### TOOLS NEEDED:

- Drill with #2 Square Drive Bit
- Circular Saw
- Speed Square
- Tape Measure
- Drill Extension

# 3-RAIL DESIGNER ALUMINUM LEVEL INSTALLATION

## BEFORE STARTING

- Review all local building codes.
- Wear proper safety equipment.

## STEP 1 GETTING STARTED

- Plumb all posts or mounting surfaces. Install post trim at this time.
- Determine required bottom rail height from deck surface to bottom of rail based on local building codes.

## STEP 2 INSTALL MOUNTING BRACKETS

- Using the installation template, insert brackets into bracket hole cut-outs and install using #8 x 1-1/2" screws – bottom bracket hole for bottom rail, middle bracket hole for mid-rail and top bracket hole for top rail.

## STEP 3 CUT RAILS & INSTALL BOTTOM RAIL

- Measure distance between the inside of posts.
- Mark bottom rail to correct length. Subtract 3/8" from bracket mark on each end. Repeat for all top, mid and bottom rail bracket marks.
- Ensure there is equal & maximum distance from baluster holes on both ends of top, mid and bottom rails.
- Cut bottom rail, mid-rail, top sub-rail, and top cap rail the same length, ensuring baluster holes line up.
- Slide bottom bracket cover onto both sides of the rail and set rail into place. Secure rail by installing two #8 x 3/4" self-drilling screws through holes in both sides of each bracket. Snap bracket cover over the bracket.

## STEP 4 INSERT BALUSTERS

- Insert balusters into bottom rail making sure they are fully seated into rail.
- Make sure that the "P" insert remains within the bottom rail channel.

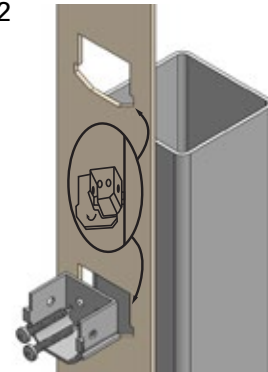
## STEP 5 INSTALL MID-RAIL AND TOP RAIL

- Slide mid-rail bracket cover onto both sides of the mid-rail. Holding mid-rail at an angle above balusters, start at one end and insert first baluster, working your way across the remaining balusters until they are seated through the top and bottom of the mid-rail.
- Line up mid-rail with mid-rail brackets and secure rail by installing two #8 x 3/4" self-drilling screws through holes in both sides of each bracket. Snap bracket cover over the bracket.
- Holding the top sub-rail at an angle above the baluster, start at one end to insert first baluster and tap lightly.
- Insert remaining balusters making sure they are seated completely in both bottom and top sub-rails.
- Slide top bracket cover onto both sides of top rail. Place top cap rail over sub-rail.
- Secure rail by installing two #8 x 3/4" self-drilling screws through holes in both sides of each top bracket. Snap bracket cover over the bracket.

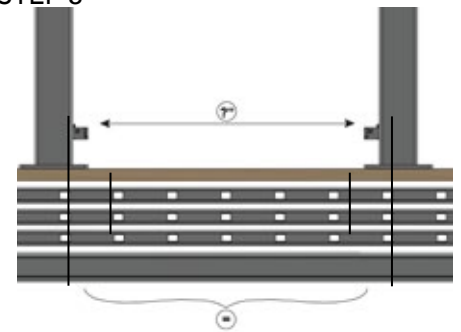
## STEP 6 FINISHING STEPS

- Tap post caps in place.
- Install two-piece, snap together trim.
- Measure to the underside of the bottom rail and cut rail support to measured length.
- Measure to the center of the bottom rail and secure rail support with 3/4" stainless steel screw.

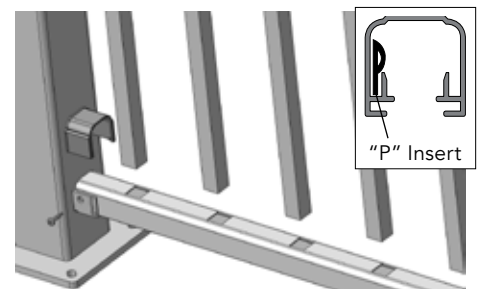
### STEP 2



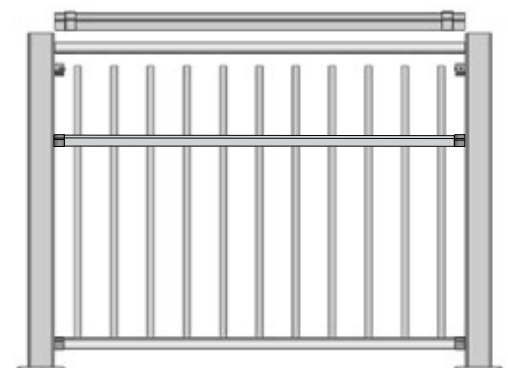
### STEP 3



### STEP 4



### STEP 5



*It is the responsibility of the installer to meet or exceed all code and safety requirements, and to obtain all required building permits. These instructions are only a guide and may not address every circumstance. The installer should determine and implement appropriate installation techniques for each situation. Envision Outdoor Living Products shall not be held liable for improper or unsafe installations.*

# 3-RAIL DESIGNER ALUMINUM STAIR INSTALLATION

## BEFORE STARTING

- Review all local building codes.
- Wear proper safety equipment.

## STEP 1 GETTING STARTED

- Plumb all posts or mounting surfaces. Install post trim at this time.
- Determine required bottom rail height from deck surface to bottom of rail based on local building codes.

## STEP 2 MARK & CUT RAILS

- Use blocking to achieve desired rail sweep height. Lay bottom rail onto blocking next to post and clamp using a quick clamp.
- Balance out baluster end spacing for equal distance at top and bottom of stairs.
- Place one baluster in each end hole and slide mid-rail and sub-rail into place.
- Making sure balusters are parallel to the posts, clamp the mid-rail and sub-rail to each post. Measure mid-rail height to ensure a 36" height and mark at each post..
- Hold brackets on post next to rail and mark rail at all bracket locations.
- Unclamp railing section from post.
- Add 3/4" to bracket mark. Repeat for all mid, top and bottom rail bracket marks.
- Transfer top sub-rail measurement to top cap rail.
- Cut all marks at 90° angle and slide bottom brackets onto ends of rail.

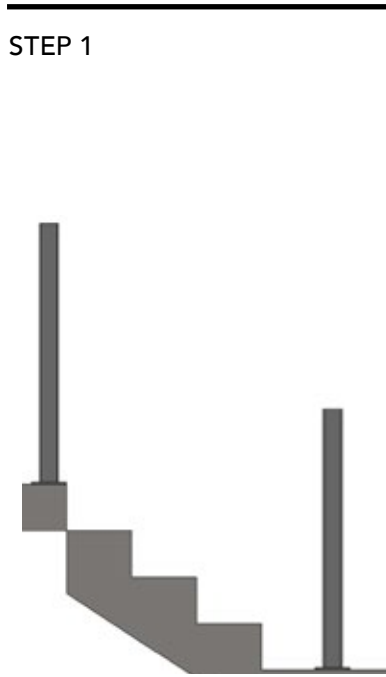
## STEP 3 INSTALL BRACKETS & RAIL SECTION

- Place bottom rail onto blocking between posts and pre-drill bracket holes using a 1/8" drill bit.
- Secure bracket using the provided 1-1/2" stainless steel screws.
- Insert all of the balusters into bottom rail making sure they are fully seated.
- Slide mid-rail bracket cover onto both sides of the mid-rail. Holding mid-rail at an angle above balusters, start at one end and insert first baluster, working your way across the remaining balusters until they are seated through the top and bottom of the mid-rail.
- Pre-drill bracket holes using 1/8" bit and secure with the provided 1-1/2" stainless steel screws. Snap bracket cover over the bracket.
- Insert sub-rail into the top cap rail and slide bracket covers on both sides of top rail.
- Starting at the top of the stairs, insert first baluster.
- Insert remaining balusters making sure they are fully seated in the bottom and top rail.
- Pre-drill bracket holes using 1/8" bit and secure with the provided 1-1/2" stainless steel screws.
- Secure rail by installing two #8 x 3/4" self-drilling screws through holes in both sides of each top bracket. Snap bracket cover over brackets.

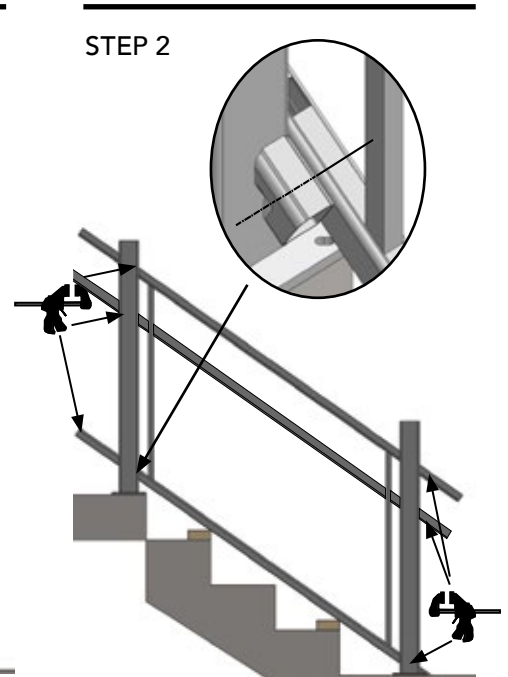
## STEP 4 FINISHING STEPS

- Tap post caps in place.
- Install two-piece snap-together trim.

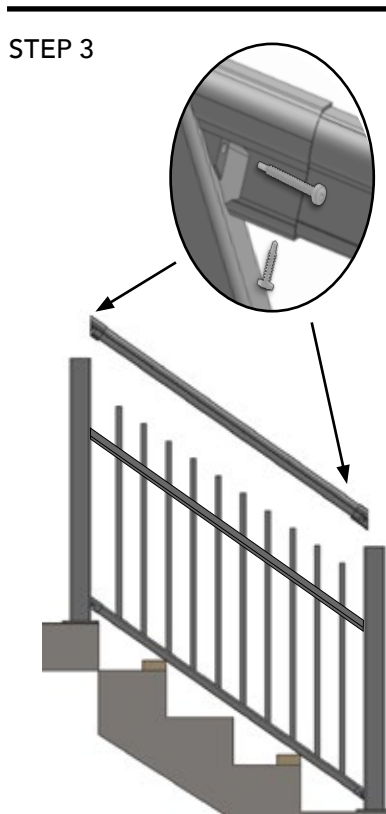
STEP 1



STEP 2



STEP 3



STEP 4



*It is the responsibility of the installer to meet or exceed all code and safety requirements, and to obtain all required building permits. These instructions are only a guide and may not address every circumstance. The installer should determine and implement appropriate installation techniques for each situation. Envision Outdoor Living Products shall not be held liable for improper or unsafe installations.*

