

FAIRWAY RAILING™

BY **Envision**
OUTDOOR LIVING PRODUCTS

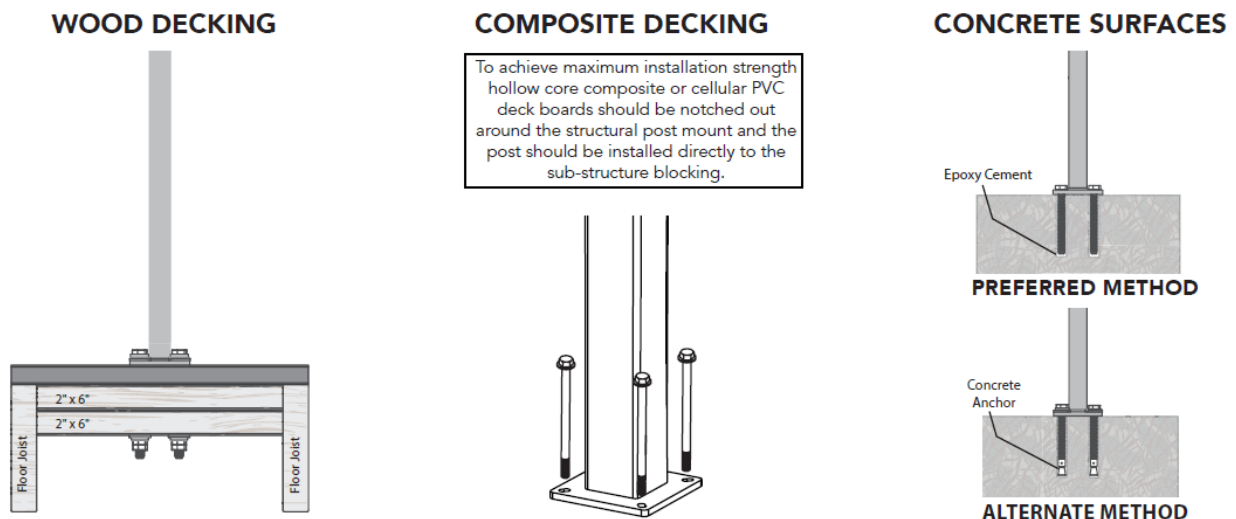
Modern Steel Level Panel Installation Instructions

NOTE: It is the responsibility of the installer to meet or exceed all code and safety requirements, and to obtain all required building permits. These instructions are only a guide and may not address every circumstance. The installer should determine and implement appropriate installation techniques for each situation. Envision Outdoor Living Products shall not be held liable for improper or unsafe installations.

STEP 1 - Install Steel Flanged Steel Post* for Wood and Composite Decking, and Concrete Surface (Steel flanged post, cap & trim kit sold separately from level panel.)

- Determine placement of post on deck or concrete surface. Set post in place and mark mounting holes.
- Mount post to surface using one of the options and suggested mounting hardware pictured below.
NOTE: Installer must determine the proper mounting hardware (*sold separately*) based on application.
- Check fit of rail between mounting surfaces.

NOTE: Wood posts can be substituted for steel posts. (*Installation instructions not included.*)

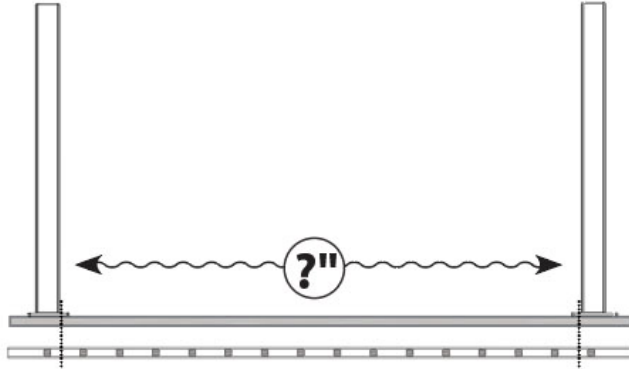


*For additional post installation details, please refer to the installation guide included with the Steel Post, Cap & Trim Kit.

STEP 2 – Measure and Cut Steel Rail Panels

NOTE: Never cut material on deck surfaces. To prevent rust stains, remove all metal shavings from the cut area; including the deck, post base cover, post and panel.

- Measure distance between finished posts or mounting surfaces.
- Mark panel to correct length if cutting is required. Ensure there is equal maximum distance from baluster on both ends. **NOTE:** Minimum 1-1/2" end spacing is required for installation of brackets.
- If panel length was adjusted, deburr cut edges and coat with zinc-based touch-up paint (item #306090) to prevent corrosion to prevent corrosion.



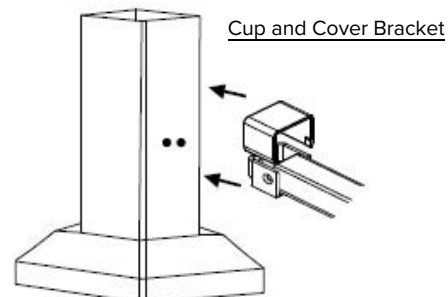
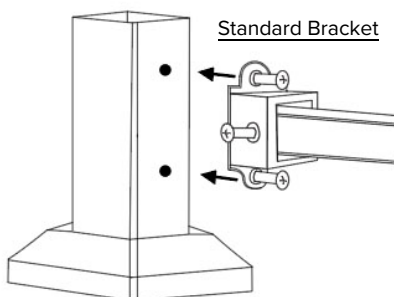
STEP 3 - Install Brackets and Panel (If using FastFit™ Steel posts, skip to the last bullet point below.)

NOTE: Be sure to clean-up and remove all metal shavings from the cut area; including the deck, post base cover, post and panel, to prevent rust stains.

- Slide a standard bracket over the end of each rail. Make sure that all set screw holes face the desired direction.
- Cut two (2) support blocks to desired rail sweep measurement and place rail assembly on support blocks between posts.
- Slide brackets to post and mark screw locations. Set rail assembly aside. Predrill 3/16" pilot holes at marked screw locations.
- Place rail assembly between posts and install brackets using provided T-25 screws. Use low speed setting on drill.
- Predrill pilot holes and secure rails with provided set screws on the side of each bracket.

If Using Cup & Cover Bracket

- Determine desired bottom rail height. Place brackets on post and mark screw locations. Pre-drill 3/16" pilot holes at marked screw locations
- For top bracket installation, measure up 34" for a 36" installation or 40" for a 42" installation from the top of the horizontal portion of the bracket .
- Set panel into the installed brackets. Pre-drill 11/64" pilot holes and install set screws.
- Snap trim pieces into place.



FAIRWAY RAILING™

BY  **Envision**
OUTDOOR LIVING PRODUCTS

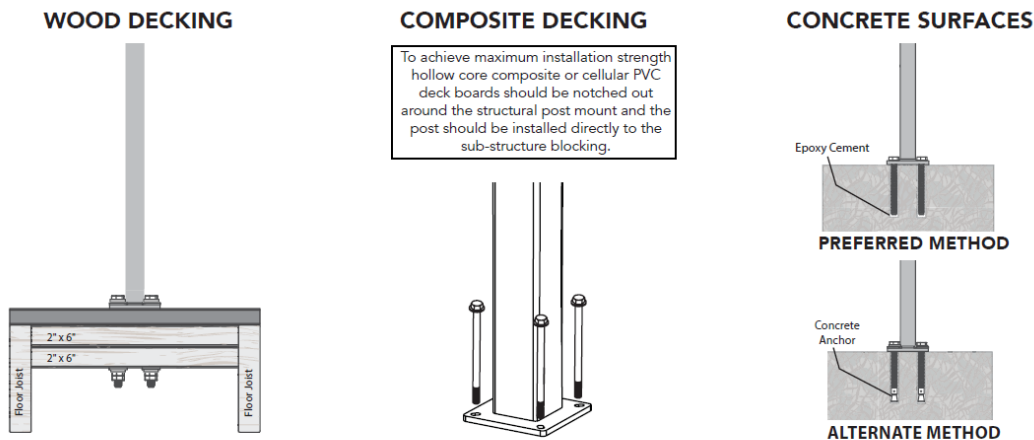
Modern Steel Adjustable Stair Panel Installation Instructions

NOTE: It is the responsibility of the installer to meet or exceed all code and safety requirements, and to obtain all required building permits. These instructions are only a guide and may not address every circumstance. The installer should determine and implement appropriate installation techniques for each situation. Envision Outdoor Living Products shall not be held liable for improper or unsafe installations.

STEP 1 - Install Steel Flanged Steel Post* for Wood and Composite Decking, and Concrete Surface
(*steel flanged post, cap & trim kit sold separately from stair panel.*)

- Determine placement of post on deck or concrete surface. Set post in place and mark mounting holes.
- Mount post to surface using one of the options and suggested mounting hardware pictured below.
NOTE: Installer must determine the proper mounting hardware (*sold separately*) based on application.
- With post secured to surface, check post with a level. If the post needs to be adjusted for plumb, loosen mounting bolts and adjust with ¼" shims (*sold separately*). Tighten mounting bolts. Install optional post trim at this time.

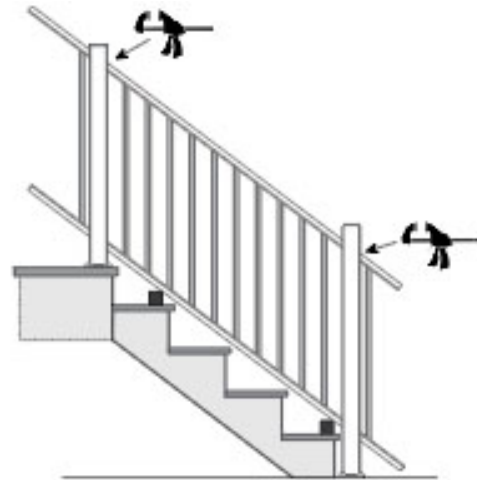
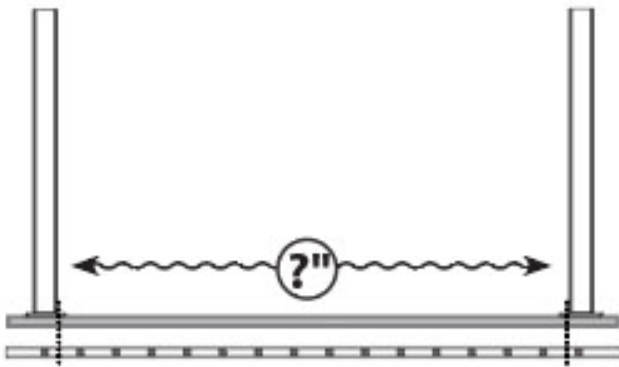
NOTE: Wood posts can be substituted for flanged steel posts. (*Installation instructions not included.*)



*For additional post installation details, please refer to the installation guide included with the Steel Post, Cap & Trim Kit.

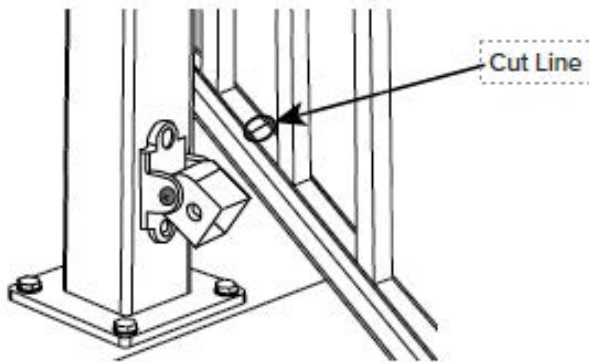
STEP 2 – Line Up Stair Panel

- Using support blocks on the top and bottom step to ensure proper rail sweep height, set bottom rail onto support blocks and rake panel so that the balusters are parallel with post.
- Using quick clamps, clamp top rail to each post.
- Balance out baluster end spacing to ensure equal and maximum distance from post to first baluster.



STEP 3 – Mark Cut and Drill Locations

- Hold brackets on post next to the rail and mark rail at all bracket locations.
- Mark post plate hole locations on post.
- Remove clamps and set rail panel aside.
- Find post center line and transfer plate hole location to center of post.



STEP 4 – Cut Rails and Pre-Drill Posts

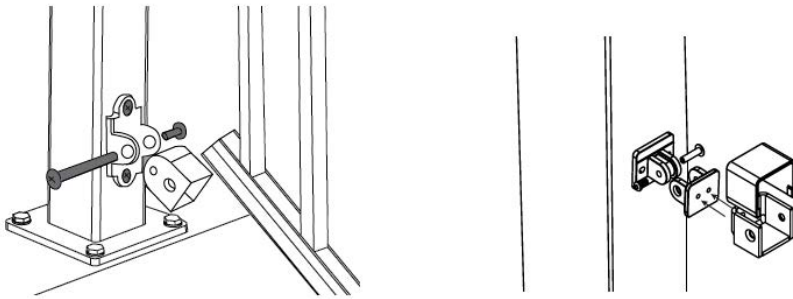
NOTE: Never cut material on deck surfaces. To prevent rust stains, remove all metal shavings from the cut area; including the deck, post base cover, post and panel.

- Cut the rails at all marks, parallel to the end of the rail.
- Deburr cut edges and coat with two (2) coats of zinc-based touch-up paint (Item #306090).
- Pre-drill bracket hole locations on posts using.

For Standard Bracket - 3/16" drill bit.

For Cup & Cover Bracket - 11/64" drill bit.

- Remove hinge pin from stair bracket assemblies.
- For Standard Bracket - slide brackets onto the end of the rails.
- For Cup & Cover Bracket – attach Cup & Cover to Multi-Angle Bracket on post



STEP 5 – Install Rail Panel and Secure Brackets

- Set panel in place using support blocks from previous step.
- For Standard Bracket - Line up brackets with bracket plate and replace hinge pin.
- Check fit of panel and adjust as necessary.
- For Cup & Cover Bracket – place “Cover” on bracket over panel
- Pre-drill using 3/16" drill bit at rail screw location on side of bracket.
- Install Provided T-25 screw.

