

# UL Evaluation Report



## UL ER25876-01

Issued: December 10, 2016  
Revised: November 30, 2023

Visit UL, LLC's [Product IQ™ database](#) for the status of this Report.

UL Category Code: ULEV

CSI MasterFormat®

DIVISION: 06 00 00 – Wood, Plastics, and Composites  
Sub-level 2: 06 70 00 – Structural Composites  
Sub-level 3: 06 73 00 – Composite Decking  
Sub-level 4: 06 73 13 – Composite Structural Decking

### COMPANY:

ENVISION OUTDOOR LIVING PRODUCTS LLC  
53 Eby Chiques Rd  
PO BOX 37  
Mount Joy, PA 17752  
(800) 253-1401  
[www.envisionoutdoorliving.com](http://www.envisionoutdoorliving.com)

### 1. SUBJECT:

- A. Envision Distinction® and Envision Expression® Composite Lumber
- B. Envision Ridge Premium® Composite Lumber

## 2. SCOPE OF EVALUATION

### A. Envision Distinction® and Envision Expression® Composite Lumber

- 2018, 2015, 2012 *International Building Code*® (IBC)
- 2018, 2015, 2012 *International Residential Code*® (IRC)
- ICC-ES Acceptance Criteria for Deck Board Span Ratings and Guardrail Systems (Guards and Handrails) (AC174)
- ICC-ES Acceptance Criteria for Quality Documentation (AC10)

### B. Envision Ridge Premium® Composite Lumber

- 2018 *International Building Code*® (IBC)
- 2018 *International Residential Code*® (IRC)
- Testing Demonstrating Compliance with ASTM D7032, Standard Specification for Establishing Performance Ratings for Wood-Plastic Composite Deck Boards and Guardrail Systems (Guards or Handrails)
- ICC-ES Acceptance Criteria for Quality Documentation (AC10)

The products were evaluated for the following properties:

- Structural Performance
- Durability
- Surface Burning
- Decay Resistance
- Termite Resistance

## 3. REFERENCED DOCUMENTS

- ASTM D7032, Standard Specification for Establishing Performance Ratings for Wood-Plastic Composite Deck Boards and Guardrail Systems (Guards or Handrails)
- ASTM D7032, Standard Specification for Establishing Performance Ratings for Wood-Plastic Composite Deck Boards and Guardrail Systems (Guards or Handrails)
- ICC-ES Acceptance Criteria for Deck Board Span Ratings and Guardrail Systems (Guards and Handrails) (AC174)
- ICC-ES Acceptance Criteria for Quality Documentation (AC10)

## 4. USES

Envision Distinction®, Envision Expression® and Envision Ridge Premium® boards are for use as a walking surface on exterior decks, balconies, porches, walkways, and stairs.

## 5. PRODUCT DESCRIPTION

### 5.1 General:

Envision Distinction® and Envision Expression® Composite Lumber boards are a compression molded composite material comprised of part wood fiber and part plastic. Envision® Composite Lumber boards are nominal 1" x 6" (actual 7/8" x 5-1/2") in size, available in 12', 16', and 20' lengths, provided in grooved and square edge profiles (see [Figure 1](#)), and offered in the following colors: Greywood, Rustic Walnut, Shaded Auburn, Spiced Teak, Caribou Brown, Canyon Ridge, Harbor Grey, Woodland Bark, Driftwood, Nantucket Shore, Hampton Dunes, and Seaside Pier. All Envision Distinction® and Envision Expression® Composite Lumber boards have an embossed walking surface.

Envision Ridge Premium® Composite Lumber boards are a compression molded composite material comprised of part wood fiber and part plastic. Ridge Premium™ Composite Lumber boards are nominal 1" x 6" (7/8" x 5-1/2" actual) in size, available in 12', 16' and 20' lengths, provided in grooved and square edge profiles (see [Figure 2](#)), and are offered in the following colors: Alpine Fog, Black Walnut, Driftwood, Gunstock, Sandstone, and Vintage Oak. All Envision Ridge Premium® Composite Lumber boards have an embossed walking surface.

### 5.2 Span Rating

Envision Distinction®, Envision Expression® and Envision Ridge Premium® Composite Lumber boards covered under this report are rated for the loads indicated in [Table 1](#). Structural performance has been demonstrated for a temperature range from -20°F to 125°F for live load.

### 5.3 Stair Tread:

Envision Distinction®, Envision Expression® and Envision Ridge Premium® Composite Lumber boards may be used as stair treads when installed in a minimum two-span condition. Maximum span is shown in [Table 1](#).

### 5.4 Uplift:

Envision Distinction®, Envision Expression® and Envision Ridge Premium® Composite Lumber boards have uplift resistance ratings based on the fastening method, as shown in [Table 2](#).

### 5.5 Flame Spread Index:

Envision Distinction® and Envision Expression® Composite Lumber boards have a flame spread index of less than 200 when tested in accordance with UL723, as required by Section 2612.3 of the 2018 IBC, Section R507.2.2 of the 2018 IRC and Section R507.3.2 of the 2015 IRC.

Envision Ridge Premium® Composite Lumber boards have a flame spread index of less than 200 when tested in accordance with UL723, as required by Section 2612.3 of the 2018 IBC and Section R507.2.2 of the 2018 IRC.

## **5.6 Termite and Decay Resistance:**

Envision Distinction® and Envision Expression® Composite Lumber boards have demonstrated resistance to decay and termite attack (including Formosan termites) as required by Section 2612.4 of the 2018 and 2015 IBC, Section R507.2.2.3 and Section R507.2.2.4 of the 2018 IRC, and Section R507.3.4 and Section R507.3.5 of the 2015 IRC. Resistance was found equivalent to that of preservative-treated or the heartwood of naturally durable wood used in identical applications.

Envision Ridge Premium® Composite Lumber boards have demonstrated resistance to decay and termite attack (including Formosan termites) as required by Section 2612.4 of the 2018 IBC, and Section R507.2.2.3 and Section R507.2.2.4 of the 2018 IRC. Resistance was found to be equivalent to that of preservative-treated lumber and the heartwood of naturally durable wood used in identical applications.

## **6. INSTALLATION**

### **6.1 General:**

Envision Distinction®, Envision Expression® and Envision Ridge Premium® Composite Lumber boards shall be installed in accordance with the applicable code, this report and the manufacturer's published installation instructions.

The manufacturer's published installation instructions shall be available at all times on the jobsite during installation. Uplift ratings are available for the six fastening options described below. Additional acceptable fastening systems, which have not been evaluated for uplift resistance, are identified in the manufacturer's installation instructions.

### **6.2 Envision Distinction® and Envision Expression® Composite Lumber - Solid Profile**

Envision Distinction® and Envision Expression® Composite Lumber solid profile boards may be face-fastened with Envision® Composite Deck Screws or DECKFAST® Cap-Tor® xd screws at each support. Minimum edge distance for fasteners is 1.0 inch from the board edge, and the minimum end distance for fasteners is ¾-inch from the end of each board. See [Table 2](#) for uplift resistance rating.

Envision Distinction® and Envision Expression® Composite Lumber solid profile boards may be edge-fastened with CAMO® Marksman Pro® Hidden Deck Fastening System, following the fastener manufacturer's installation instructions. Minimum end distance for fasteners is ¾ inch from the end of each board. See Table 2 for uplift resistance rating.

### **6.3 Envision Distinction® and Envision Expression® Composite Lumber - Grooved Profile**

Envision Distinction® and Envision Expression® Composite Lumber grooved profile boards may be fastened at each support using EverClip™ hidden fasteners. The first and last Envision Distinction® and Envision Expression® grooved profile boards are face fastened using fasteners identified in Table 2 for the equivalent solid deck board with fasteners spaced so that no part of the fastener is within ¾-inch from the end of the board and 1-⅜ inch from the edge of the board. See Table 2 for uplift resistance rating.

Envision Distinction® and Envision Expression® Composite Lumber grooved profile boards may be fastened at each support using FastenMaster TigerClaw® TC-G grooved board hidden deck fasteners. The first and last Envision Distinction® and Envision Expression® grooved profile boards are face fastened using fasteners identified in Table 2 for the equivalent solid deck board with fasteners spaced so that no part of the fastener is within ¾-inch from the end of the board and 1-⅜ inch from the edge of the board. See Table 2 for uplift resistance rating.

## 6.4 Envision Ridge Premium® Composite Lumber

Envision Ridge Premium® Composite Lumber solid profile boards may be face-fastened with Envision® Composite Deck Screws at each support. Minimum edge distance for fasteners is 1 inch from the board edge, and the minimum end distance for fasteners is ¾-inch from the end of each board. See [Table 2](#) for uplift resistance rating.

Envision Ridge Premium® Composite Lumber grooved profile boards may be fastened at each support using FastenMaster TigerClaw® TC-G grooved board hidden deck fasteners. The first and last Envision Ridge Premium® grooved profile boards are face fastened using fasteners identified in Table 2 for the equivalent solid deck board with fasteners spaced so that no part of the fastener is within ¾-inch from the end of the board and 1-¾ inch from the edge of the board. See Table 2 for uplift resistance rating.

## 7. CONDITIONS OF USE

### 7.1 General:

Envision Distinction®, Envision Expression® and Envision Ridge Premium® Composite Lumber boards described in this report comply with, or are suitable alternatives to what is specified in, those codes listed in Section 2 of this report, subject to the following conditions:

- 7.2** Materials and methods of installation shall comply with this report and the manufacturer's published installation instructions. In the event of a conflict between the installation instructions and this report, this report governs.
- 7.3** See UL, LLC's [Product iQ™](#) database for Decking Materials for Use in Wildland-Urban Interface Fire Areas ([BIIH](#)).
- 7.4** Envision Distinction® and Envision Expression® Composite Lumber described in this report is permitted for Type V-B (5B) construction as specified in the Section 2612.5 of the 2018 and 2015 IBC and for dwellings located in jurisdictions which are signatory to the 2018 and 2015 IRC.
- Envision Ridge Premium® described in this report is permitted for Type V-B (5B) construction as specified in the Section 2612.5 of the 2018 and for dwellings located in jurisdictions which are signatory to the 2018 IRC.
- Envision Distinction® and Envision Expression® Composite Lumber is permitted for use on balconies and similar projections on buildings of Type III, IV, and V construction where sprinkler protection is extended to these areas as specified in Section 1406.3 of the 2012 IBC and for dwellings located in jurisdictions which are signatory to the 2012 IRC.
- 7.5** Boards placed at an angle other than 90 degrees to the supporting joist will require support framing at a reduced spacing such that the span of the deck board does not exceed 17 inches.
- 7.6** Envision Distinction®, Envision Expression® and Envision Ridge Premium® Composite Lumber boards used as stair treads shall be installed in a minimum of a two-span condition.
- 7.7** Compatibility of the supporting construction materials with all fasteners and other hardware components is subject to approval by the code official.
- 7.8** Where required by the building official, engineering calculations and details shall be provided. The calculations shall verify that the anchorage complies with the building construction.

- 7.9** Only those types of fasteners and fastening methods described in this report have been evaluated for installation of Envision Distinction®, Envision Expression® and Envision Ridge Premium® Composite Lumber boards; other methods of attachment are outside the scope of this report.
- 7.10** Envision Distinction®, Envision Expression® and Envision Ridge Premium® Composite Lumber boards are manufactured by Envision Outdoor Living Products LLC in Lamar, MO, under the UL LLC Listing/Classification and Follow-Up Service Program, which includes inspections in accordance with the quality elements of ICC-ES Acceptance Criteria for Quality Documentation, AC10.

## **8. SUPPORTING EVIDENCE**

- 8.1** Data in accordance with ICC-ES Acceptance Criteria for Deck Board Span Ratings and Guardrail Systems (Guards and Handrails) (AC174), (applicable for Envision Distinction® and Envision Expression® Composite Lumber only).
- 8.2** Manufacturer's descriptive product literature, including installation instructions.
- 8.3** UL test reports and Classification in accordance with California Office of the State Fire Marshal SFM Standard 12-7A-4A, "Decking Alternate Method A." See UL Product Certification Category for Decking Materials for Use in Wildland-Urban Interface Fire Areas ([BIIH](#)), File R25876.
- 8.4** Data in accordance with ICC-ES Acceptance Criteria for Quality Documentation (AC10).
- 8.5** Data in accordance with ASTM D7032 (applicable for Envision Distinction®, Envision Expression® and Envision Ridge Premium® Composite Lumber).

## **9. IDENTIFICATION**

Envision Distinction®, Envision Expression® and Envision Ridge Premium® Composite Lumber boards described in this evaluation report are identified by a marking bearing:

- The report holder's name, Envision Outdoor Living Products LLC
- The plant identification
- The UL Listing/Classification Mark
- The evaluation report number UL ER25876-01
- A statement indicating compliance with ASTM D7032

The validity of the evaluation report is contingent upon this identification appearing on the product or product label or UL Listing/Classification Mark/Certification Mark.

## **10. USE OF UL EVALUATION REPORT**

- 10.1** The approval of building products, materials or systems is under the responsibility of the applicable authorities having jurisdiction.
- 10.2** UL Evaluation Reports shall not be used in any manner that implies an endorsement of the product, material or system by UL.
- 10.3** The status of this report, as well as a complete directory of UL Evaluation Reports may be found at UL.com via the [Product iQ™ database](#).

**Table 1 – Span/Load Ratings and Stair Tread Support Spacing**

Product Designation	Span/Load Ratings		Stair Tread Support Spacing <sup>1</sup> (in)
	Live Load (in/lb/ft <sup>2</sup> )	Snow Load (in/lb/ft <sup>2</sup> )	
Envision Distinction® and Envision Expression® Solid or Grooved	17 / 100	17 / 250 or 14 / 350	12
Envision Ridge Premium® Solid or Grooved	17 / 100	N/A	8

<sup>1</sup>Continuous two-span installation.

**Table 2 – Fastener Load and Estimated Uplift Capacity**

Composite Lumber-Edge Detail	Support Spacing (in)	Fastener <sup>1</sup>	Envision®		Ridge Premium™	
			Avg. Max Fastener Load (lbf) <sup>2</sup>	Estimated Uplift Capacity (psf) <sup>3,4</sup>	Avg. Max Fastener Load (lbf) <sup>2</sup>	Estimated Uplift Capacity (psf) <sup>3,4</sup>
Solid	17	Envision® Composite Deck Screw	230	710	146	435
Solid	17	DECKFAST® Cap-Tor® XD	175	530	N/A	N/A
Solid	17	CAMO Marksman Pro® Hidden Fastener System	180	560	N/A	N/A
Grooved	17	EverClip™ Hidden Fastener	260	800	N/A	N/A
Grooved	17	FastenMaster TigerClaw TC-G Hidden Fastener	290	895	N/A	N/A

<sup>1</sup>As described in Table 3.

<sup>2</sup>Average fastener load divided by a safety factor of 3.0.

<sup>3</sup>Two fasteners per board per joist; joists spaced 17 inches O.C.

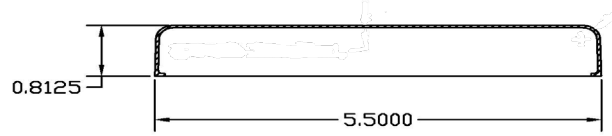
<sup>4</sup>A safety factor of 3.0 has been applied.

**Table 3 – Fastener Description**

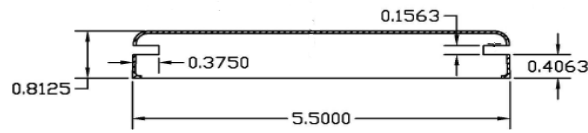
Generic Fastener	Uses	Detailed Fastener Description
#10 x 2-1/2" Envision® Composite Deck Screw ( <a href="#">Figure 3</a> )	Face Fastening solid board (see Section 6.1)	Trim cutting head 5.59-6.22 mm in dia, 6-lobe T20 star drive recess depth of 2.00-2.40 mm, 62-65 mm in overall screw length, Trilobular 4.8-5.2 mm in lower outside thread dia, 5.05-5.3 upper thread dia, 3.7 mm wire dia, type 99 double cutting point
#10 x 2-3/4" DECKFAST® Cap- Tor XD Deck Screw ( <a href="#">Figure 4</a> )	Face Fastening solid board (see Section 6.1)	0.60" length of left-hand thread (9 TPI), 2.0" length of trilobular right-handed thread (12 TPI), major diameter of 0.20", 0.270" head diameter with T-20 star drive recess, Type 99 point
#7 x 1-7/8" CAMO Marksman Pro Deck Screw ( <a href="#">Figure 5</a> )	Edge Fastening solid board (see Section 6.1)	T15 star drive trim head, 5.00 – 5.09 mm in dia, recess depth of 1.8 – 2.0 mm, 1.875" length, 6 lobes dual thread, 3.86 – 4.24 mm in lower outside thread dia, 3.26 – 3.65 mm in upper thread diameter
FastenMaster TigerClaw TC-G Hidden Fastener System ( <a href="#">Figure 7</a> )	Hidden Fastening Clips for grooved deck boards	Clips are attached to joists with a 1.63 in. long stainless steel screw (0.164 in. major dia., 0.113 in. minor dia., 0.229 dia.)
EverClip Hidden Fastener ( <a href="#">Figure 8</a> )	Hidden Fastening Clips for grooved deck boards	Clips are attached to joists with one #10 x 2-1/2" deck screw (8 TPI, 0.179 in. major dia., 0.126 in. shank dia., 0.323 in. head dia., Phillips drive, trim Head, Type A point)

**Figure 1** Envision Distinction® and Envision Expression® Composite Lumber Profiles

**Square**

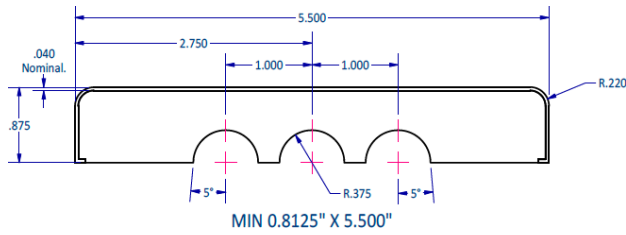


**Grooved**

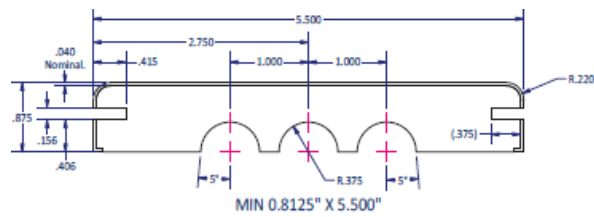


**Figure 2** Envision Ridge Premium® Composite Lumber Profile

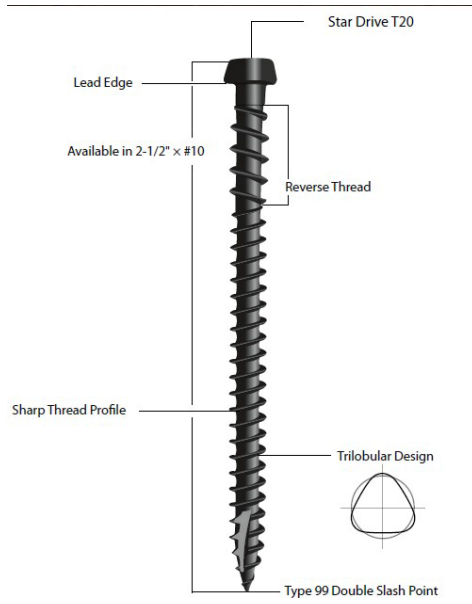
**Square**



**Grooved**



**Figure 3** Envision® Composite Deck Screws



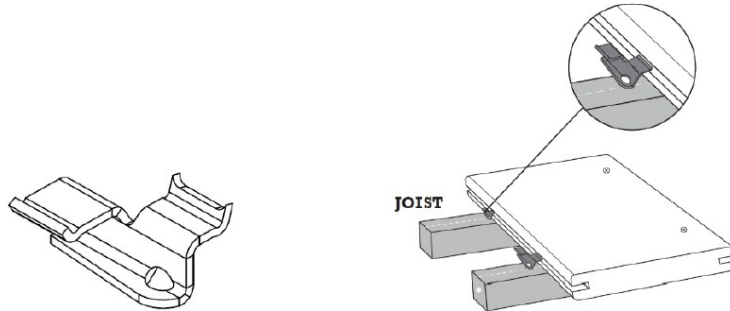
**Figure 4** DECKFAST® Cap-Tor® XD



**Figure 5** CAMO Marksman Pro Deck Screw



**Figure 6** FastenMaster TigerClaw TC-G Clips



**Figure 7** EverClip Hidden Fastener System



© 2023 UL LLC

*This UL Evaluation Report is not an endorsement or recommendation for use of the subject and/or product described herein. This report is not the UL Listing or UL Classification Report that covers the subject product. The subject product's UL Listing or UL Classification is covered under a separate UL Report. UL disclaims all representations and warranties whether express or implied, with respect to this report and the subject or product described herein. Contents of this report may be based on data that has been generated by laboratories other than UL that are accredited as complying with ISO/IEC Standard 17025 by the International Accreditation Service (IAS) or by any other accreditation body that is a signatory to the International Laboratory Accreditation Cooperation (ILAC) Mutual Recognition Arrangement (MRA). The scope of the laboratory's accreditation shall include the specific type of testing covered in the test report. As the accuracy of any non-UL data is the responsibility of the accredited laboratory, UL does not accept responsibility for the accuracy of this data.*

