

FAIRWAY RAILING™

BY  **Envision**
OUTDOOR LIVING PRODUCTS

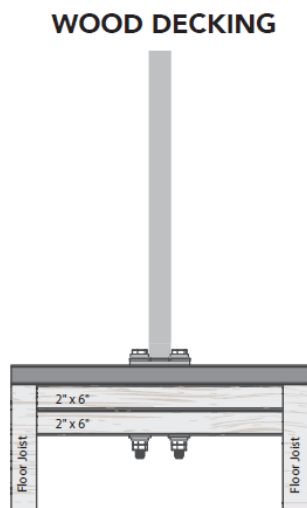
Modern Aluminum Level Panel Installation Instructions

NOTE: It is the responsibility of the installer to meet or exceed all code and safety requirements, and to obtain all required building permits. These instructions are only a guide and may not address every circumstance. The installer should determine and implement appropriate installation techniques for each situation. Envision Outdoor Living Products shall not be held liable for improper or unsafe installations.

STEP 1 - Install Aluminum Flanged Post* for Wood and Composite Decking, and Concrete Surface (*Aluminum flanged post, cap & trim kit sold separately from level panel.*)

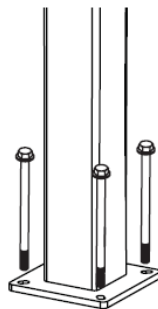
- Determine placement of post on deck or concrete surface. Set post in place and mark mounting holes.
- Mount post to surface using one of the options and suggested mounting hardware pictured below.
NOTE: Installer must determine the proper mounting hardware (*sold separately*) based on application.
- Check fit of rail between mounting surfaces.

NOTE: Wood posts can be substituted for aluminum posts. (*Installation instructions not included.*)

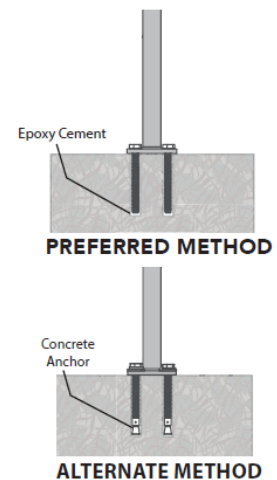


COMPOSITE DECKING

To achieve maximum installation strength hollow core composite or cellular PVC deck boards should be notched out around the structural post mount and the post should be installed directly to the sub-structure blocking.

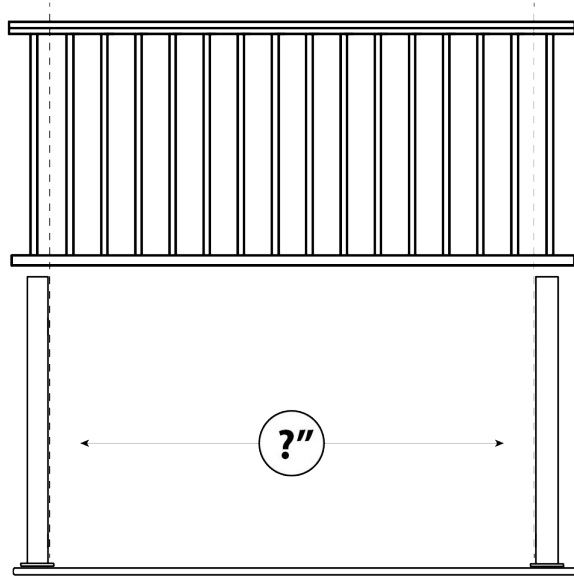


CONCRETE SURFACES



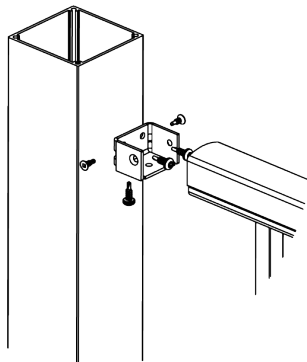
STEP 2 – Measure and Cut Aluminum Rail Panels

- Measure distance between finished posts or mounting surfaces.
- Subtract 1/4" and cut rails. Ensure there is equal maximum distance from baluster on both ends.
NOTE: Maintain minimum end spacing required for installation of brackets.

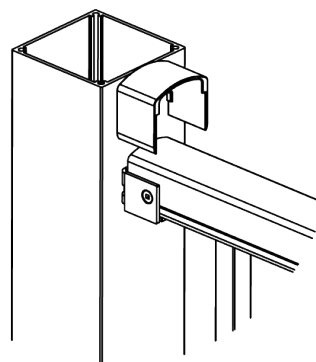


STEP 3 - Install Brackets and Panel

- Place bottom rail brackets at the desired height above the deck surface. Mark holes and install bottom brackets to posts with 5/8" self-tapping screws.
- Place rail panel between posts and slide top brackets under the top rail. Transfer bottom of bracket location to post.
- Measure distance from the underside of the bottom rail to the deck surface. Cut rail support to measured length. Measure to the center of the bottom rail, attach rail support holder with provided screw. Install rail support.
- Set rail panel aside. Mark holes and install top brackets to posts with 5/8" self-tapping screws.
- Measure to center of the bottom rail and secure the rail support bracket and rail support. Place rail assembly between posts and secure rails with provided 1/2" self-tapping screws into the side of each bracket. One (1) 1" self-tapping screw is also installed into through the bottom of the top rail bracket. (Figure 1)
- Install bracket trim on all four brackets. (Figure 2)



(Figure 1)



(Figure 2)

FAIRWAY RAILING™

BY  **Envision**
OUTDOOR LIVING PRODUCTS

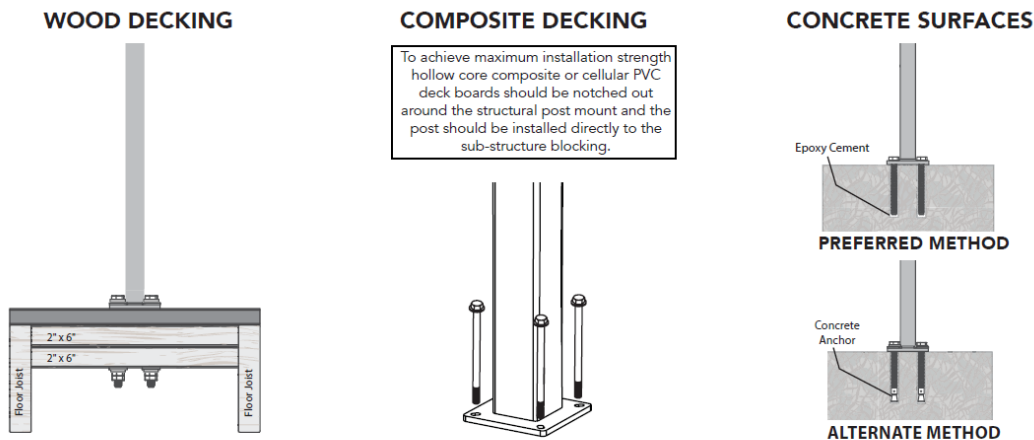
Modern Aluminum Adjustable Stair Panel Installation Instructions

NOTE: It is the responsibility of the installer to meet or exceed all code and safety requirements, and to obtain all required building permits. These instructions are only a guide and may not address every circumstance. The installer should determine and implement appropriate installation techniques for each situation. Envision Outdoor Living Products shall not be held liable for improper or unsafe installations.

STEP 1 - Install Aluminum Flanged Steel Post* for Wood and Composite Decking, and Concrete Surface
(Aluminum flanged post, cap & trim kit sold separately from stair panel.)

- Determine placement of post on deck or concrete surface. Set post in place and mark mounting holes.
- Mount post to surface using one of the options and suggested mounting hardware pictured below.
NOTE: Installer must determine the proper mounting hardware (*sold separately*) based on application.
- With post secured to surface, check post with a level. If the post needs to be adjusted for plumb, loosen mounting bolts and adjust with ¼" shims (*sold separately*). Tighten mounting bolts. Install optional post trim at this time.

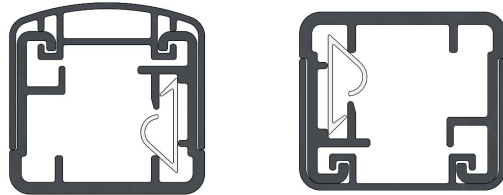
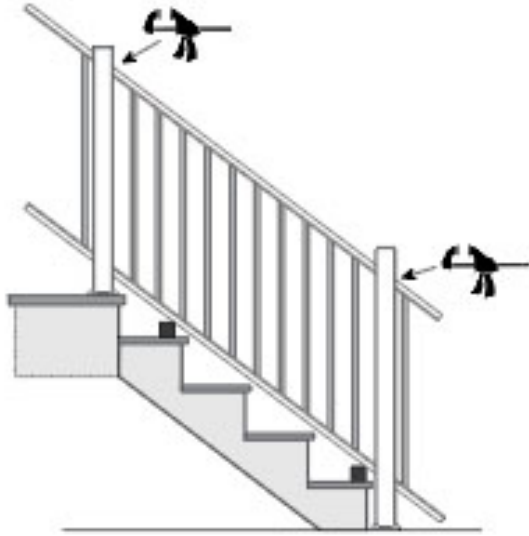
NOTE: Wood posts can be substituted for flanged aluminum posts. (*Installation instructions not included.*)



*For additional post installation details, please refer to the installation guide included with the Aluminum Post, Cap & Trim Kit.

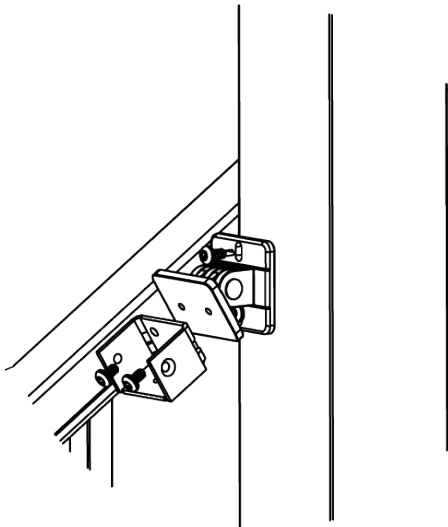
STEP 2 – Line Up Stair Panel

- Using support blocks on the top and bottom step to ensure proper rail sweep height, set bottom rail onto support blocks and rake panel so that the balusters are parallel with post.
- Using quick clamps, clamp top rail to each post.
- Balance out baluster end spacing to ensure equal and maximum distance from post to first baluster.
- Ensure the p-loop is inserted into the top and bottom rail as shown below.



STEP 3 – Mark Cut and Drill Locations

- Install bottom rail bracket to multi-angle bracket.
- Hold brackets on post next to the rail and mark rail at inside of cup bracket.
- Mark post plate hole locations on post.
- Remove clamps and set rail panel aside.
- Find post center line and transfer plate hole location to center of post.
- Attach brackets to post with 5/8" self-tapping screws.



STEP 4 – Cut Rails and Install Panel

- Cut the rails at all marks, parallel to the end of the rail.
- Set panel in place using support blocks from previous step.
- Secure rails with provided 1/2" self-tapping screws into the side of each bracket.
- Install bracket cover trim on all four brackets.

