

**Issue Date: 12-15-2009**  
**Revision Date: 04-14-2026**  
**Renewal Date: 04-30-2027**

**DIVISION: 06 00 00 – WOOD, PLASTIC, AND COMPOSITES**  
**Section: 06 63 00 - Plastic Railings**

**REPORT HOLDER:**

**Envision Outdoor Living Products LLC**  
**53 Eby Chiques Road**  
**PO Box 37**  
**Mount Joy, PA 17552**  
**(800) 598-5245**  
**[www.envisionoutdoorliving.com](http://www.envisionoutdoorliving.com)**

**REPORT SUBJECT:**

Envision Outdoor Living Products LLC *TAM-RAIL*® Railing System

### 1.0 SCOPE OF EVALUATION

**1.1** This Research Report addresses compliance with the following Codes:

- 2024, 2021, 2018 *International Building Code*® (IBC)
- 2024, 2021, 2018 *International Residential Code*® (IRC)
- 2023, 2020 *Florida Building Code* (see Section 9.0)

NOTE: This report references the most recent Code editions cited. Section numbers in earlier editions may differ.

**1.2** The Envision Outdoor Living Products LLC *TAM-RAIL*® Railing System has been evaluated for the following properties (see Table 1):

- Structural Performance
- Durability
- Surface Burning
- Decay Resistance
- Termite Resistance

**1.3** The Envision Outdoor Living Products LLC *TAM-RAIL*® Railing System has been evaluated for the following uses (see Table 1):

- The *TAM-RAIL*® Railing System is a guard or guardrail under the definitions of the referenced codes. The system is intended for use at or near the open sides of elevated walking areas of buildings and walkways as required by the referenced codes.
- Guardrail systems recognized in this report may be used in One- and Two-Family Dwellings regulated by the IRC and construction types regulated by the IBC in accordance with IBC Sections 705.2.2 and 705.2.3.1 [FBC 1406.3], Exceptions 2 and 3. Guardrails less than 42 inches high are limited to use in One- and Two-Family Dwellings (IRC). See Table 1 for additional restrictions based upon Use and Occupancy classification.

### 2.0 STATEMENT OF COMPLIANCE

The Envision Outdoor Living Products LLC *TAM-RAIL*® Railing System complies with the Codes listed in Section 1.1, for the properties stated in Section 1.2 and uses stated in Section 1.3, when installed as described in this report, including the Conditions of Use stated in Section 6.0.

#### 2.1 2024 IBC and IRC Evaluation Reports

The Intertek CCRR is an *Evaluation Report* for approval of an alternate material, design, or method of construction in accordance with Section 104.2.3.6.1 of the 2024 IBC and Section R104.2.2.6.1 of the 2024 IRC.

### 3.0 DESCRIPTION

**3.1** The *TAM-RAIL*® Railing System is provided as level guardrails with heights of 36" or 42" above the floor surface and is provided in rail lengths for nominal 6, 8, and 10-foot guardrail systems. See Table 1.



**3.2** The *TAM-RAIL*® Railing System is provided as stair guardrails up to 100 inches in length as measured along the top rail. See Table 1.

**3.3** The *TAM-RAIL*® Railing System includes upper and lower rails, vertical balusters, post sleeves, *TAM-RAIL*® post mount system, rail-to-post brackets and hardware, rail-to-post bracket covers, fixed angle adapters, crush block, post trim ring and post cap.

**3.3.1** The breadloaf shaped top rail, rectangular bottom rail, 1.5" colonial balusters, 1.5" square balusters and post sleeve are hollow extrusions manufactured using a tri-layered extrusion process. These extrusions consist of a core layer of PVC (Poly Vinyl Chloride) and wood composite capped by an inner and outer layer of PVC. See Figures 1, 2 and 3 for sectional profiles.

**3.3.2** Both the top and bottom rails have pre-routed square holes to receive the ends of the balusters at assembly. The baluster assembly limits the spacing between balusters such that a 4-inch diameter sphere cannot pass through at any location.

**3.3.3** A crush block is utilized as a support block after being inserted into routed openings on the bottom of the lower rail.

**3.3.4** For level guardrail assemblies greater than 94" and less than or equal to 120" in length, an aluminum stiffener insert is utilized inside the upper rail only. See Figure 1.

**3.3.5** Composite and PVC components recognized for use in the *TAM-RAIL*® Railing System are manufactured in two colors: white and black.

**3.4** Structural supports may be conventional wood framing or a *TAM-RAIL*® post mount system (See Figures 9 and 10). *TAM-RAIL*® 4X4 and Marquee™ 5X5 post sleeves may be utilized with both conventional 4X4 wood posts and the *TAM-RAIL*® post mount systems. The 5x5 post sleeves require a post spacer for installation with conventional 4X4 wood posts.

**3.5** The *TAM-RAIL*® post mount system is comprised of a 2" square steel tube welded to a 0.650" thick base plate for anchorage. Two molded PVC spacer/mounting (guide)

blocks provide for attachment of rail brackets. See Figure 8.

**3.5.1** For attachment of the *TAM-RAIL*® post mount system to wood composite decking systems, additional components are provided and includes a steel leveling plate, a steel back plate and hardware. See Figure 8.

**3.5.2** For attachment of the *TAM-RAIL*® post mount system to concrete, the system is provided with an additional 5 ½" square, 0.551" thick steel surface plate (See Figure 12), 3/8" diameter stainless steel anchor rods and associated hardware. See Figures 9 thru 11.

**3.6** Stainless steel brackets and associated hardware recognized for use with level and stair constructions are as indicated in Figures 4 and 5.

**3.7** Molded PVC fixed angle adapters and associated hardware recognized for use in angled assemblies of 22.5° and 45° are as shown in Figures 6, 7 and Table 2.

#### 4.0 PERFORMANCE CHARACTERISTICS

**4.1** The *TAM-RAIL*® Railing System described in this report has demonstrated the capacity to resist the design loadings specified in Chapter 16 of the IBC, FBC and Section R301 of IRC, when tested in accordance with ICC-ES AC174.

**4.2** Structural performance has been demonstrated for a temperature range of -20°F to 125°F.

**4.3** Materials used are deemed equivalent to preservative treated or naturally durable wood for resistance to weathering effects, decay, and attack from termites, including formosan termites.

**4.4** The *TAM-RAIL*® concrete post mount system and adhesive anchor design was evaluated in accordance with AC174 Section 5.1 and ACI 318 respectively.

**4.5** The tri-layered material utilized in the *TAM-RAIL*® Railing System has a flame spread index less than 200 when tested according to ASTM E 84.





## 5.0 INSTALLATION

Envision Outdoor Living Products LLC *TAM-RAIL*® Railing System must be installed in accordance with the manufacturer's published installation instructions, the applicable Code, and this Research Report. A copy of the manufacturer's instructions must be available on the jobsite during installation.

**5.1** The balusters are supplied in lengths indicated in Figure 2 based on a two-inch clearance between the bottom rail and the walking surface. Balusters are inserted into pre-routed holes in the top and bottom rails. Balusters are not fastened to either the top or bottom rail.

**5.2** Stainless Steel (SST) brackets (Figures 4 & 5) and, if necessary molded PVC fixed angle adapters (Figure 6), attach each end of the top and bottom rails to the posts. Fasteners used to assemble the brackets and adapters to rails and posts are outlined in the fastening schedule, Table 2 and Figure 7.

**5.3** In areas recognized in Table 1, the top and bottom rails are attached to either conventional 4x4 structural wood posts or a *TAM-RAIL*® post mount system each sleeved with a *TAM-RAIL* post sleeve. The attachment is made using the brackets shown in Figures 4, 5 and 6 and the fasteners noted in the fastener schedule Table 2 and Figure 7.

**5.4** The crush block is cut to a length equal to the desired distance of the lower rail above the walking surface plus 3.25." For the 6' and 8' systems, a single crush block is installed in the pre-routed hole approximately centered in the bottom face of the lower rail. For the 10 ft system, two crush blocks are installed approximately equally spaced in pre-routed holes of the lower rail.

**5.5** Railing systems may be attached to conventional wood posts or other suitable wood structure. The wood in the supporting structure shall have a specific gravity of 0.50 or greater (Southern Yellow Pine or better) and a minimum thickness to allow full penetration of the bracket mounting screws. Conventional wood posts or other wood supports are not within the scope of this report.

**5.6** Non-structural *TAM-RAIL*® post trim ring may be installed at the base of the post sleeve or post mount system. The *TAM-RAIL*® post cap shall be installed over the

exposed end of the post sleeve after installing the sleeve over a 4x4 wood post or a post mount.

**5.7** Non-structural *TAM-RAIL*® bracket covers may be placed over the top and bottom rails before installation of the rail to the SST mounting bracket. After installation of the rail to the post, the bracket covers are pushed back to the post to cover the SST mounting brackets and hardware.

**5.8** The *TAM-RAIL*® concrete post mount system must be installed in accordance with the post mount instructions for concrete application supplied by the manufacturer, within the limitations outlined in Section 7.0 of this CCRR and the requirements of the anchor system evaluation report. See Table 3 and, Figures 9 through 11.

**5.8.1** Special installation instructions are outlined in Section 6.3.

## 6.0 CONDITIONS OF USE

**6.1** Installation must comply with this Research Report, the manufacturer's published installation instructions, and the applicable Code. In the event of a conflict, this report governs.

**6.2** Conventional wood supports for guardrails, including posts, are not within the scope of this report and are subject to evaluation and approval by the building official. Supports must satisfy the design load requirements specified in Chapter 16 of the IBC and FBC and must provide suitable material for anchorage of the rail brackets. Where required by the building official, engineering calculations and details shall be provided.

**6.3** For wood composite decking systems, anchors and anchoring systems for use with the *TAM-RAIL*® post mount system are not within the scope of this report and are subject to evaluation and approval by the building official. Anchors must satisfy the design load requirements specified in Chapter 16 of the building code and must meet the following minimum requirements:

**6.3.1** A minimum of four anchor bolts must be used and located in the four pre-drilled holes in the post base plate.





6.3.2 The anchors must be stainless steel, galvanized steel or other approved material compatible with the steel post mount system.

6.3.3 The anchor bolts must have a minimum diameter of 3/8" and utilize flat washers. The type and length of the anchor bolts is dependent upon the material and condition of the supporting structure and is not within the scope of this report.

6.3.4 When the supporting structure is a wood framed deck, installation must include anchorage to suitable structural framing. Decking is not considered structural framing and anchorage to decking alone is not an approved installation method.

6.4 For installations utilizing the TAM-RAIL® concrete post mount system, the following conditions must be met to be within the scope of this report:

6.4.1 Installation of the concrete post mount system requires the use of Hilti HIT-RE 500-v3 or Simpson Strong Tie Set-3G Adhesive Anchoring System as described in their respective evaluation reports.

Adhesive Anchor System	Evaluation Report
Hilti HIT-RE 500 V3	ICC-ES ESR-3814
Simpson Strong Tie Set 3G	ICC-ES ESR-4057

6.4.2 The recognition of the adhesive anchoring system as an approved element of the TAM-RAIL® Concrete Post Mount installation is contingent on maintaining the relevant evaluation report listed in the table above.

6.4.3 Installation of adhesive anchors must comply with the conditions of use in the anchor systems evaluation report, unless stated otherwise in this report.

6.4.4 Periodic Special Inspection and Jobsite Quality Assurance must be provided in accordance with the anchor system evaluation report.

6.4.5 Only those fasteners and anchors included with the TAM-RAIL® Post Mount Kits and bearing the CCRR-0118 certification label shall be used in the installation. The installation must utilize the 5.5" square concrete adapter plates provided with the concrete mounting kit. See Figure 11.

6.4.6 The scope of this CCRR is limited to Installation in dry, cracked and uncracked, normal weight concrete with specified compressive strength of 2,500 to 8,500 psi.

6.4.7 In service concrete temperature must be in accordance with the anchor system evaluation report and Table 3.

6.4.8 Bored holes for installation of the Adhesive anchoring systems and 3/8" diameter anchor rods must meet the following requirements:

6.4.8.1 Holes shall be located to assure a minimum distance of 4.25" from the edge of the mounting plate to any edge of the concrete. See Figure 10.

6.4.8.2 Holes shall be prepared and cleaned as described in the anchoring system evaluation report prior to installation of the anchoring system.

6.4.8.3 Holes shall be drilled using the specified equipment and proper types and sizes of drill bits as indicated in the respective evaluation reports.

6.4.8.4 See Table 3 for the required anchor embedment depth and uniform concrete base material thickness.

6.4.8.5 The minimum concrete thickness specified for anchor installation in 7.3.8.4 refers to a uniform concrete slab and is not applicable to thickness of concrete on a metal deck.

6.4.9 Preparation, application and curing of the adhesive anchoring system shall be as described in the respective evaluation report before installing the TAM-RAIL® Post Mount concrete adapter plate.

6.4.10 The applied torques to the installed and cured concrete anchors shall not exceed limits specified in the respective anchor system evaluation report.





**6.4.11** Upon installation of the TAM-RAIL® Post Mount, the 3/8" x 2" hex bolts shall be tightened in accordance with the anchor system evaluation report (see Table 3).

**6.4.12** Installation must be in structures assigned to Seismic Design Categories A and B as defined in the referenced codes.

**6.4.13** Installations shall not be subject to fatigue or shock loading.

**6.5** The TAM-RAIL® Railing System and post mount system are recognized to the IBC, FBC and IRC for exterior use under the limitations noted in Table 1.

**6.6** Only those types of fasteners and fastening methods described in this report have been evaluated for installation of the TAM-RAIL® Railing System; other methods of attachment are outside the scope of this report.

**6.7** Compatibility of fasteners and other metallic components with the supporting structure, including chemically treated wood, is not within the scope of this report.

**6.8** The TAM-RAIL® Railing System is manufactured under a quality control program with inspections by Intertek Testing Service NA, Inc.

## 7.0 SUPPORTING EVIDENCE

**7.1** Drawings and installation instructions submitted by the manufacturer.

**7.2** The reports of testing and engineering analysis demonstrating compliance with the performance requirements of:

- ICC-ES AC174, *Acceptance Criteria for Deck Board Span Ratings and Guardrail Systems (Guards and Handrails)*, approved January 2025
- ASTM D7032-21 [17] Standard Specification for Establishing Performance Ratings for Wood-Plastic Composite Deck Boards and Guardrail Systems (Guards and Handrails)
- ASTM E84-21a [18b] Surface Burning Characteristics of Building Materials

**7.3** Calculations and engineering analysis of the concrete anchoring systems demonstrating compliance with ACI 318-14 [-19] and related evaluation reports referenced in Section 6.4.1.

**7.4** Documentation of an approved quality control system for the manufacturing of products recognized in this report.

**7.5** Intertek Listing Report "[Envision Outdoor Living Products LLC TAM-RAIL® Railing System](#)", on the [Intertek Directory of Building Products](#).

## 8.0 IDENTIFICATION

The Envision Outdoor Living Products LLC TAM-RAIL® Railing System is identified with the manufacturer's name (Envision Outdoor Living Products LLC) and address, the product name (TAM-RAIL® Railing System), the Intertek Mark as shown below, the Intertek Control Number and the Code Compliance Research Report number (CCRR-0118).



## 9.0 FLORIDA BUILDING CODE

### 9.1 Scope of Evaluation:

The Envision Outdoor Living Products LLC TAM-RAIL® Railing System was evaluated for compliance with the *Florida Building Code*.





**9.2 Conclusion:**

The TAM-RAIL® Railing System described in Sections 2.0 through 7.0 of this Research Report, complies with the *Florida Building Code – Building*, *Florida Building Code – Residential* and *Florida Building Code – Energy*, subject to the following conditions:

- Use of the TAM-RAIL® Railing System for compliance with the High-Velocity Hurricane Zone provisions of the *Florida Building Code – Building* and the *Florida Building Code – Residential* has not been evaluated and is outside the scope of this Research Report.
- Intertek is an approved evaluation entity and quality assurance entity pursuant to Florida Statute 553.842 – *Product Evaluation and Approval*.

**10.0 CODE COMPLIANCE RESEARCH REPORT USE**

**10.1** Approval of building products and/or materials can only be granted by a building official having legal authority in the specific jurisdiction where approval is sought.

**10.2** Code Compliance Research Reports shall not be used in any manner that implies an endorsement of the product by Intertek.

**10.3** Reference to the <https://bpdirectory.intertek.com> is recommended to ascertain the current version and status of this report.

This Code Compliance Research Report (“Report”) is for the exclusive use of Intertek’s Client and is provided pursuant to the agreement between Intertek and its Client. Intertek’s responsibility and liability are limited to the terms and conditions of the agreement. Intertek assumes no liability to any party, other than to the Client in accordance with the agreement, for any loss, expense or damage occasioned by the use of this Report. Only the Client is authorized to permit copying or distribution of this Report and then only in its entirety, and the Client shall not use the Report in a misleading manner. Client further agrees and understands that reliance upon the Report is limited to the representations made therein. The Report is not an endorsement or recommendation for use of the subject and/or product described herein. This Report is not the Intertek Listing Report covering the subject product and utilized for Intertek Certification and this Report does not represent authorization for the use of any Intertek certification marks. Any use of the Intertek name or one of its marks for the sale or advertisement of the tested material, product or service must first be approved in writing by Intertek.





TABLE 1 – TAM-RAIL® GUARDRAIL SYSTEM BUILDING CODE RECOGNITION

TAM-RAIL® Guardrail System		Minimum Installed Guardrail Heights <sup>(1)</sup>	Maximum Installed Span <sup>(2) (3)</sup>	
Support Post	Type		IBC FBC <sup>(6)</sup> (Building)	IRC FBC <sup>(6)</sup> (Residential)
Conventional 4X4 wood post with or without TAM-RAIL® 4x4 post sleeve.	Level <sup>(4)</sup>	36"	120" (limited) <sup>(5)</sup>	120"
		42"	120"	
	Stair	34"	100" (limited) <sup>(5)</sup>	100"
		42"	100"	
Conventional 4X4 wood post, sleeved with Marquee™ post spacer and 5x5 post sleeve	Level	36"	91" (limited) <sup>(5)</sup>	91"
		42"	91"	
	Stair	34"	68" (limited) <sup>(5)</sup>	68"
		42"	68"	
TAM-RAIL® or Marquee™ post mount system for wood and composite decks, with PVC guides and TAM-RAIL® 4x4 or Marquee™ 5x5 post sleeve	Level <sup>(4)</sup>	36"	94" (limited) <sup>(5)</sup>	120"
		42"	94"	94"
	Stair	34"	100" (limited) <sup>(5)</sup>	100"
		42"	100"	
TAM-RAIL® or Marquee™ concrete post mount system, PVC guides and TAM-RAIL® 4x4 or Marquee™ 5x5 post sleeve	Level <sup>(4)</sup>	36"	72" (limited) <sup>(5)</sup>	72"
		42"	72"	

<sup>1</sup> Guardrail heights are measured vertically above leading edge of stair tread, or adjacent walking surface.

<sup>2</sup> Guardrail spans are measured between posts along upper rail.

<sup>3</sup> Any level TAM-RAIL® Guardrail System greater than 94" in length must utilize the aluminum stiffener inside the upper rail, See Figure 1.

<sup>4</sup> System may utilize stainless steel brackets and, if necessary, 22.5° and 45° fixed PVC angle adapters. See Table 2 and Figure 7 for approved fasteners.

<sup>5</sup> Only as permitted by IBC Section 1015.3 [1013.3]

<sup>6</sup> Excluding High Velocity Hurricane Zone





TABLE 2 – RAIL/BACKET FASTENING SCHEDULE

Post	Bracket	Rail	SST Bracket to Rail	SST Bracket to Post
Structural Wood Post with or without TAM-RAIL® 4x4 or Marquee™ 5x5 <sup>(1)</sup> Composite Post Sleeve	SST Brackets	Top Rail	(4) #10 x 1", 8 TPI, Flat-head, Type 17-point, SST Screws	(4) #10 x 2", 8 TPI, Flat-head, Type 17-point, SST Screws
		Bottom Rail	(2) #10 x 1", 8 TPI, Flat-head, Type 17-point, SST Screws	(2) #10 x 2", 8 TPI, Flat-head, Type 17-point, SST Screws
Structural Wood Post with or without TAM-RAIL® 4x4 Composite Post Sleeve	22.5° and 45° PVC Angle Brackets	Top Rail	(4) #10 x 1", 8 TPI, Flat-head, Type 17-point, SST Screws	(4) #10 x 2", 8 TPI, Flat-head, Type 17-point, SST Screws
		Bottom Rail	(2) #10 x 1", 8 TPI, Flat-head, Type 17-point, SST Screws	(2) #10 x 2", 8 TPI, Flat-head, Type 17-point, SST Screws
TAM-RAIL® Post Mount System and TAM-RAIL® 4x4 or Marquee™ 5x5 Composite Post Sleeve	SST Brackets	Top Rail	(4) #10 x 1", 8 TPI, Flat-head, Type 17-point, SST Screws	(4) #10 x 1", 8 TPI, Flat-head, Type 17-point, SST Screws
		Bottom Rail	(2) #10 x 1", 8 TPI, Flat-head, Type 17-point, SST Screws	(2) #10 x 1", 8 TPI, Flat-head, Type 17-point, SST Screws
	22.5° PVC Angle Brackets	Top Rail	(4) #10 x 1", 8 TPI, Flat-head, Type 17-point, SST Screws	(2) #10 x 1.75", 8 TPI, Flat-head, Type 17-point, SST Screws (See Figure 7)
				(2) #10 x 3", 16 TPI, Flat-head, self-drilling SST Screws penetrating through to steel post (See Figure 7)
	45° PVC Angle Brackets	Top Rail	(4) #10 x 1", 8 TPI, Flat-head, Type 17-point, SST Screws	(4) #10 x 2", 8 TPI, Flat-head, Type 17-point SST Screws
		Bottom Rail	(2) #10 x 1", 8 TPI Flat-head, Type 17-point SST Screws	(2) #10 x 2", 8 TPI, Flat-head, Type 17-point, SST Screws

<sup>1</sup>For installation with conventional 4x4 wood posts, 5x5 composite post sleeves utilize post spacers (Figure 8).



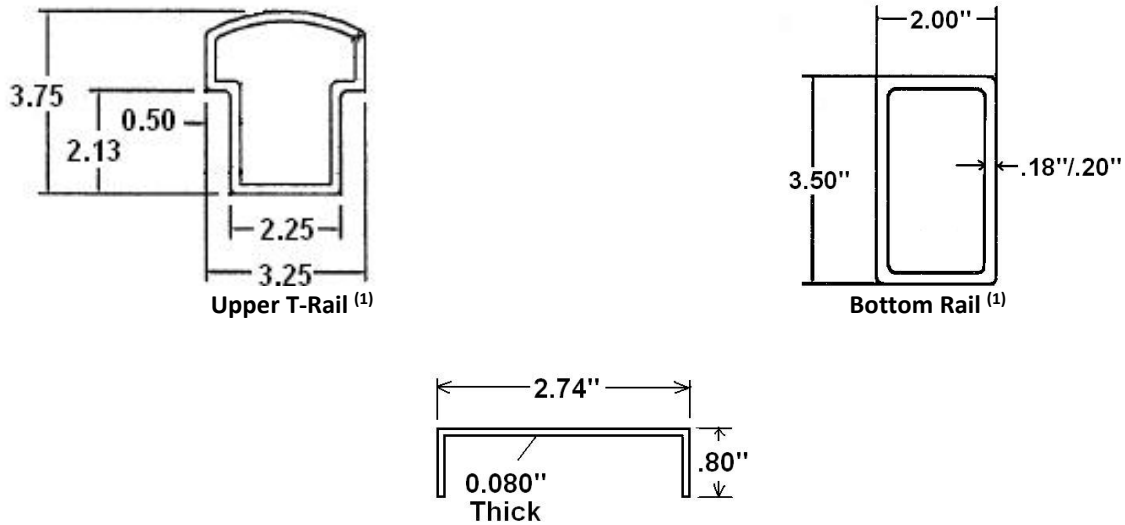


TABLE 3 – ADHESIVE ANCHORING SYSTEMS

	Min Concrete thickness		Minimum Threaded Rod Embedment		Max Anchor Torque (ft-lbs)	Service Concrete Temperatures	
	38" Post Mount System	44" Post Mount System	38" Post Mount System	44" Post Mount System		Max Short Term	Max Long Term
Hilti HIT-RE 500-V3	4-3/4"	5-1/4"	3-1/2"	4"	33 <sup>1</sup>	130° F <sup>1</sup>	110° F <sup>1</sup>
Simpson Strong-Tie Set 3G	5-3/4"	7-1/4"	3-3/4"	5-1/4"	10 <sup>2</sup>	150° F <sup>2</sup>	110° F <sup>2</sup>

<sup>1</sup> Per Hilti HIT-RE 500-SD ESR-3814.

<sup>2</sup> Per Simpson Strong Tie Set 3G ESR-4057.



Top Rail Aluminum Stiffener for Rail Lengths Exceeding 94 Inches

FIGURE 1 – TAM-RAIL RAIL CROSS SECTIONS

(1) Rails are pre-routed for balusters



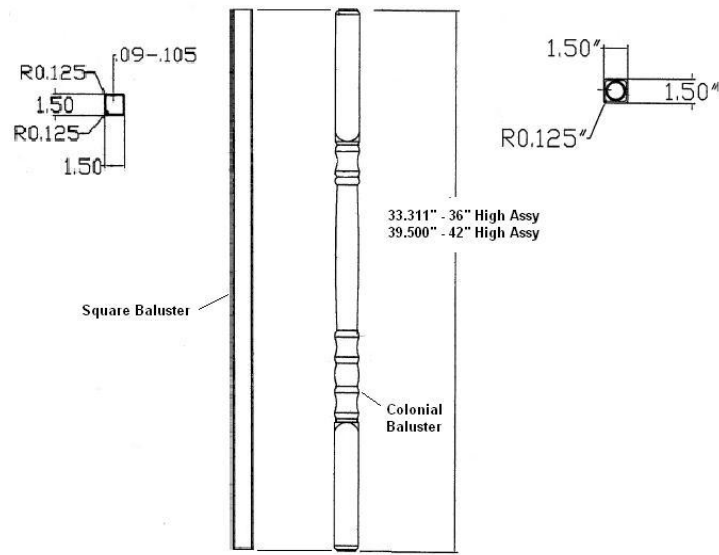


FIGURE 2 – TAM-RAIL® BALUSTER CONFIGURATIONS

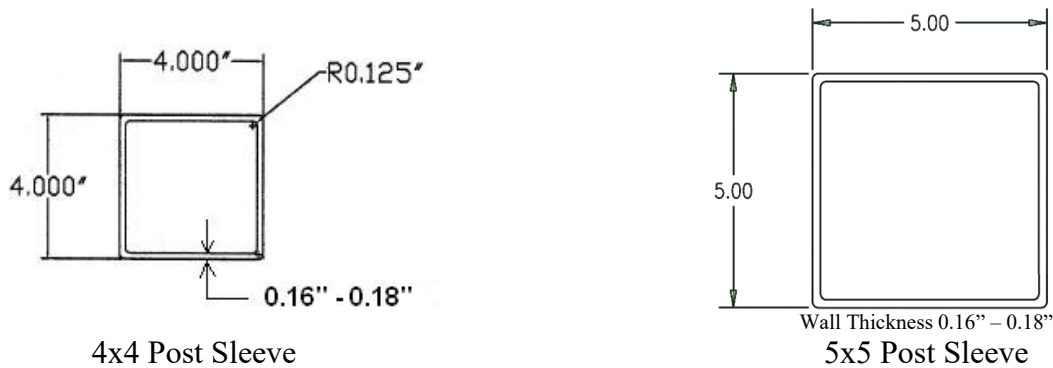


FIGURE 3 – TAM-RAIL® POST SLEEVE CROSS SECTIONS

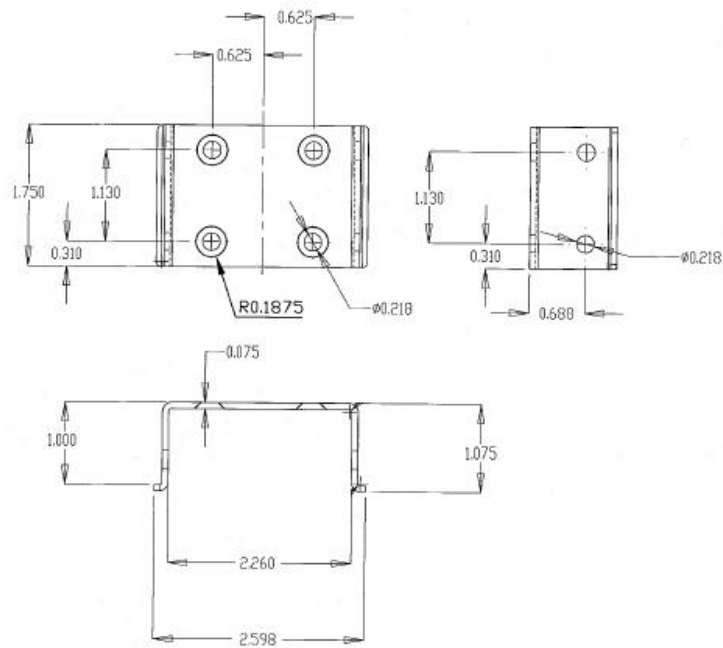


FIGURE 4 – TAM AIL® - UPPER ATTACHMENT BRACKET (SST)

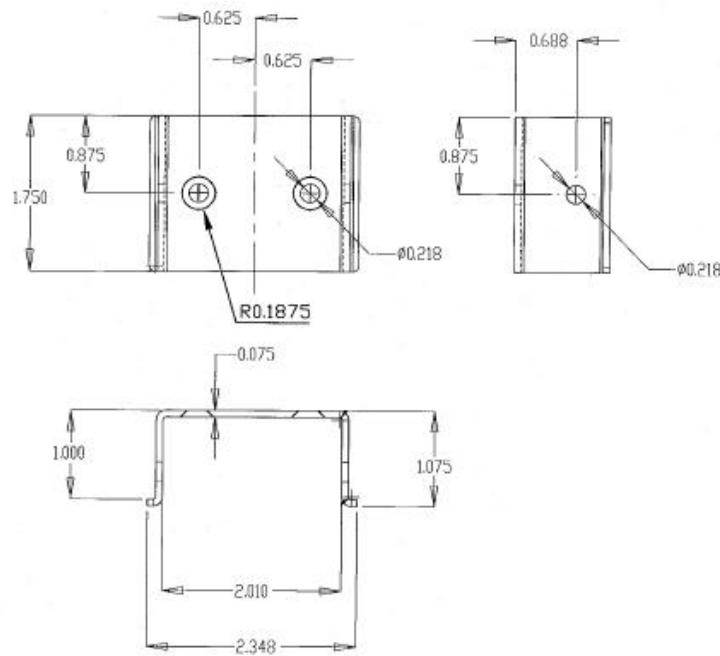
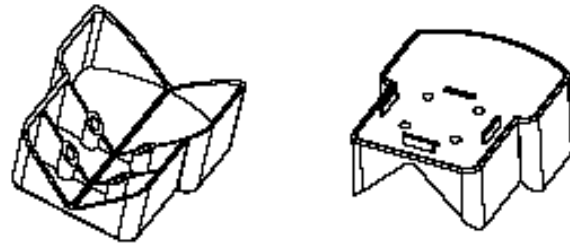
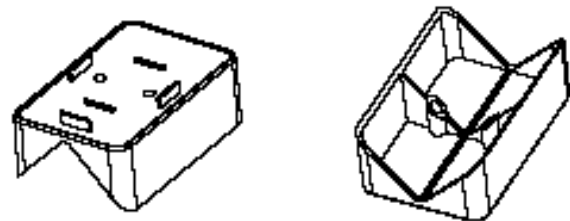


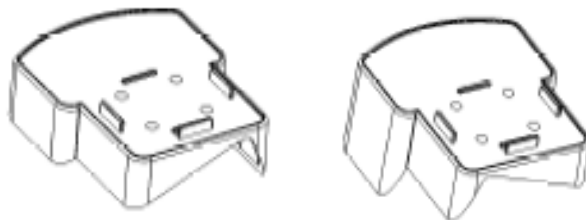
FIGURE 5 – TAM-RAIL® - LOWER ATTACHMENT BRACKET (SST)



Upper Rail 45° PVC Bracket



Lower Rail 45° PVC Bracket



Left 22.5° Bracket

Right 22.5° Bracket

Upper Rail 22.5° PVC Bracket

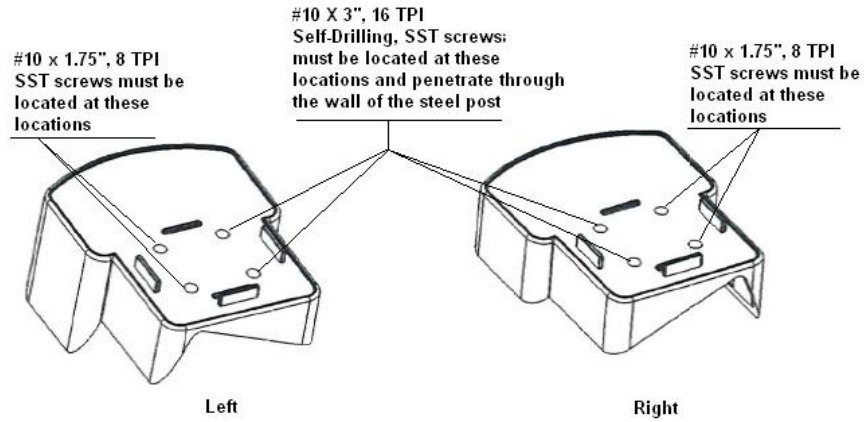


Left 22.5° Bracket

Right 22.5° Bracket

Lower Rail 22.5° PVC Bracket

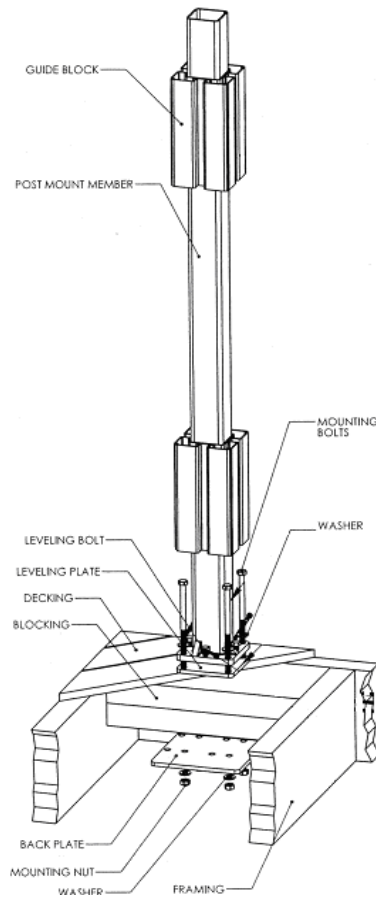
FIGURE 6 – TAM-RAIL® - PVC FIXED ANGLE ADAPTERS (22.5° AND 45°)



**FIGURE 7 – SCREW ASSEMBLY LOCATIONS FOR TAM-RAIL® 22.5° FIXED ANGLE ADAPTER (SEE TABLE 2)**



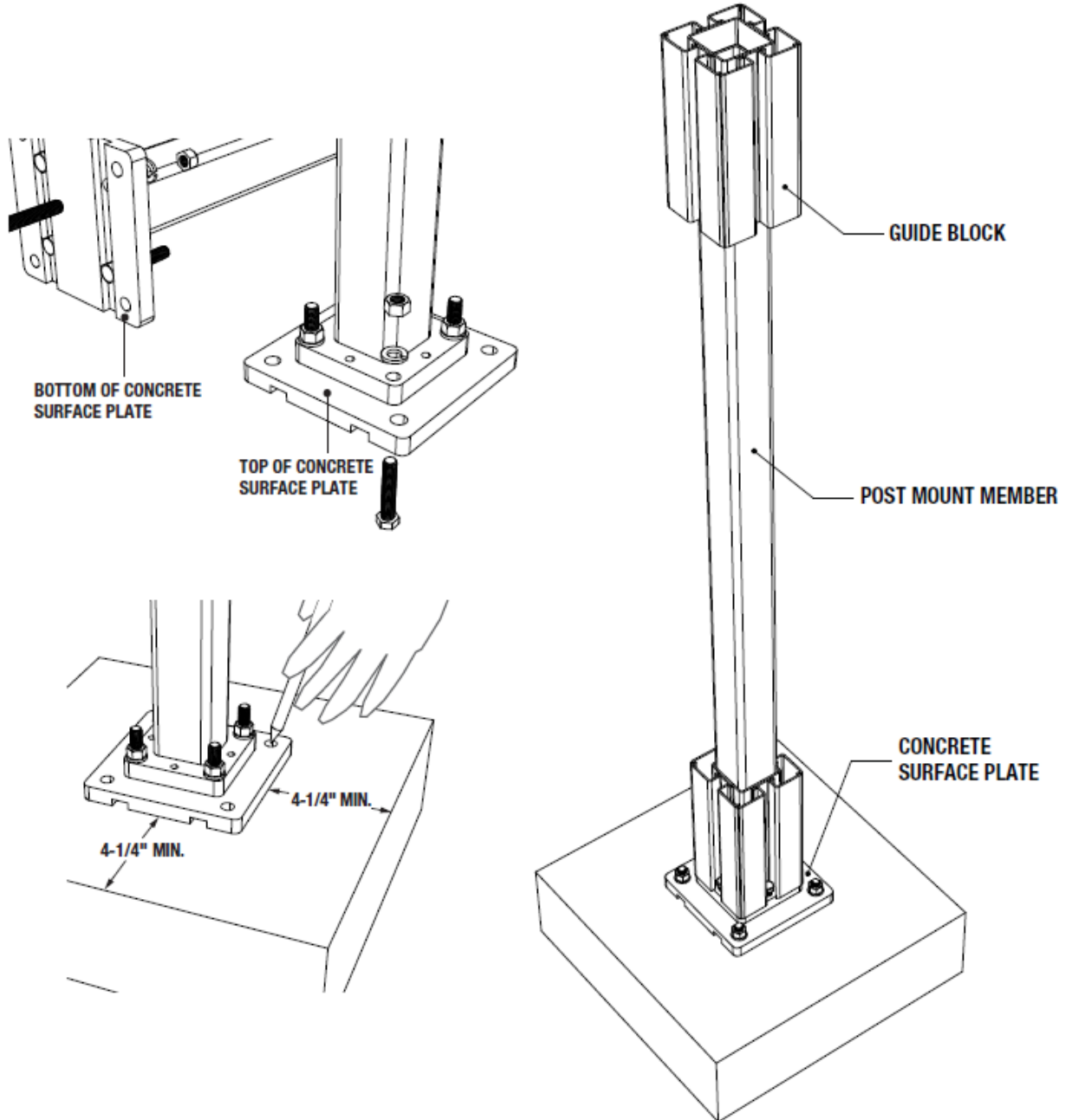
**FIGURE 8 – POST SPACERS & GUIDE BLOCKS**



**FIGURE 9 – TAM-RAIL® OR MARQUEE™ POST MOUNT SYSTEM WITH PVC GUIDES**

**WOOD OR COMPOSITE DECK INSTALLATION**

Note: Supporting structure (wood deck or concrete) is not within the scope of this report and must be designed and constructed in accordance with Chapter 16 of the IBC and FBC. Refer to Section 7.2.



**FIGURE 10 - TAM-RAIL® OR MARQUEE™ CONCRETE POST MOUNT SYSTEM WITH PVC GUIDES**

Note: Supporting structure (wood deck or concrete) is not within the scope of this report and must be designed and constructed in accordance with Chapter 16 of the IBC and FBC. Refer to Section 7.2.

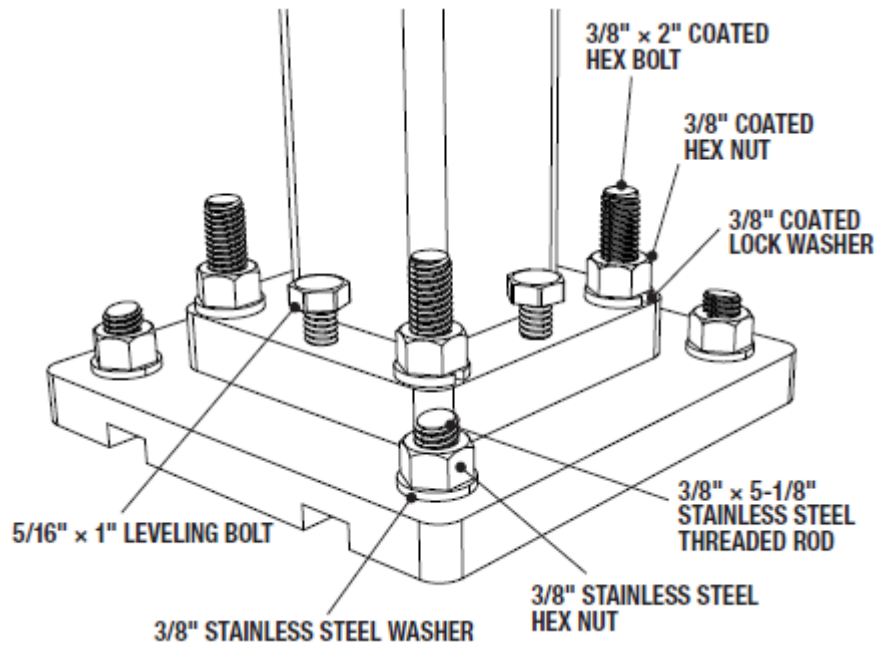


FIGURE 11 – CONCRETE SURFACE PLATE FASTENERS

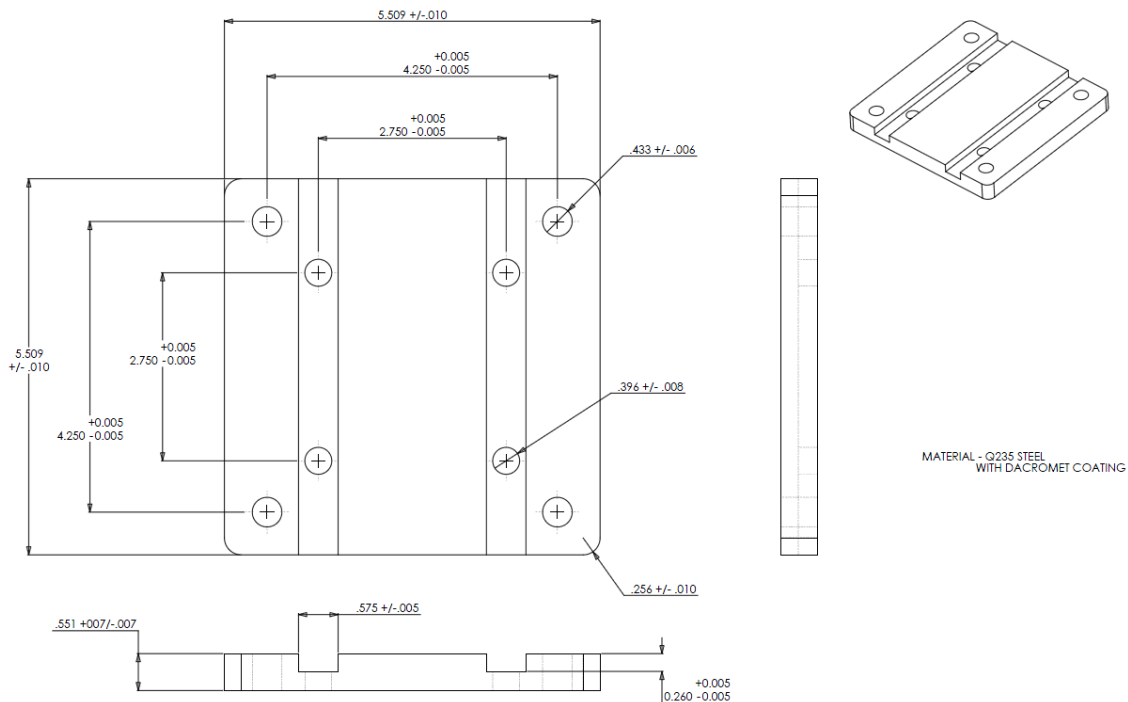


FIGURE 12 – TAM-RAIL® CONCRETE SURFACE PLATE